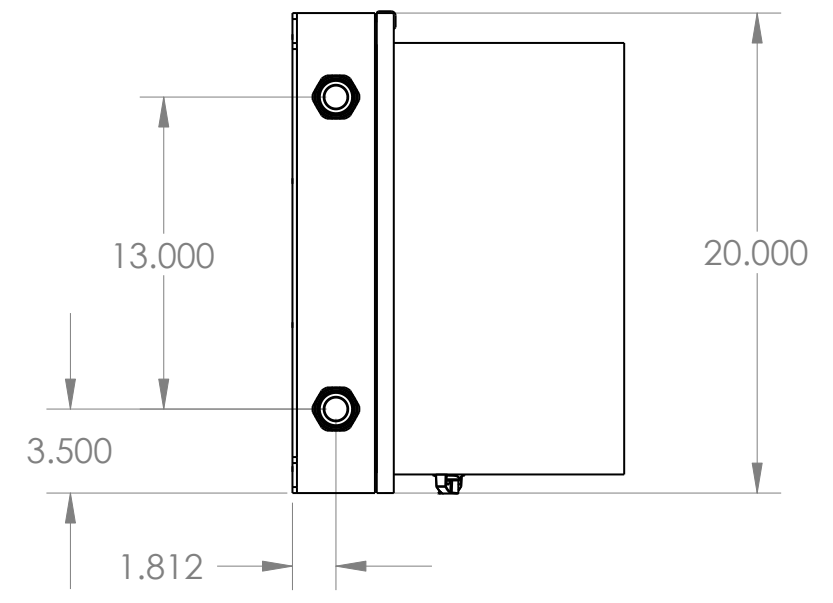
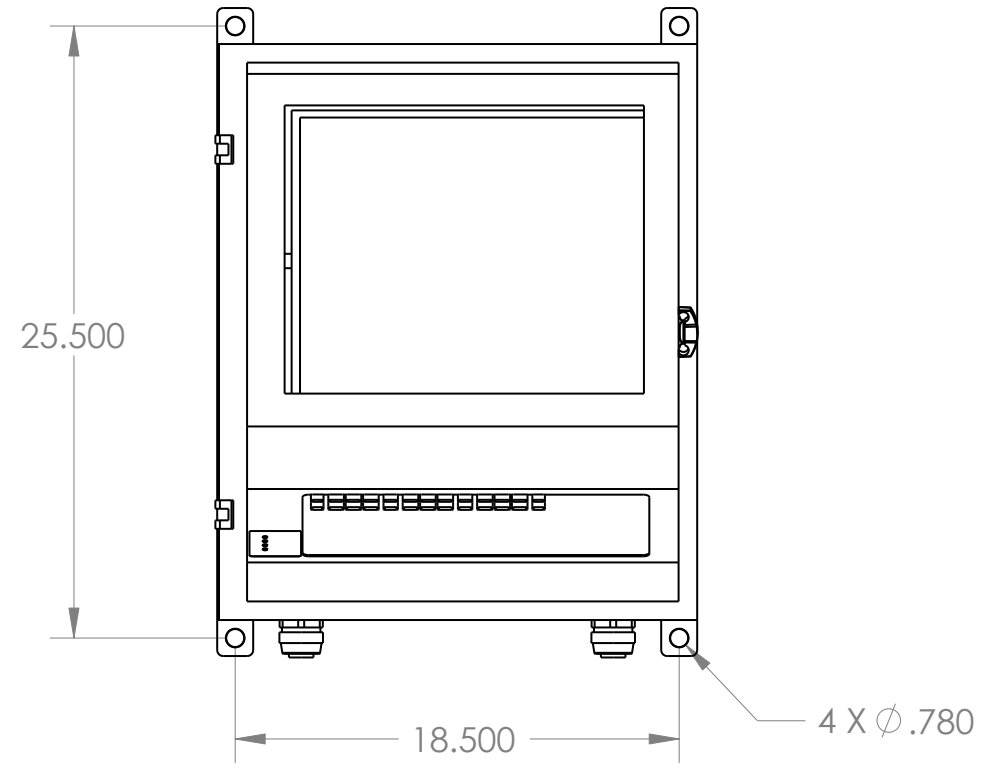
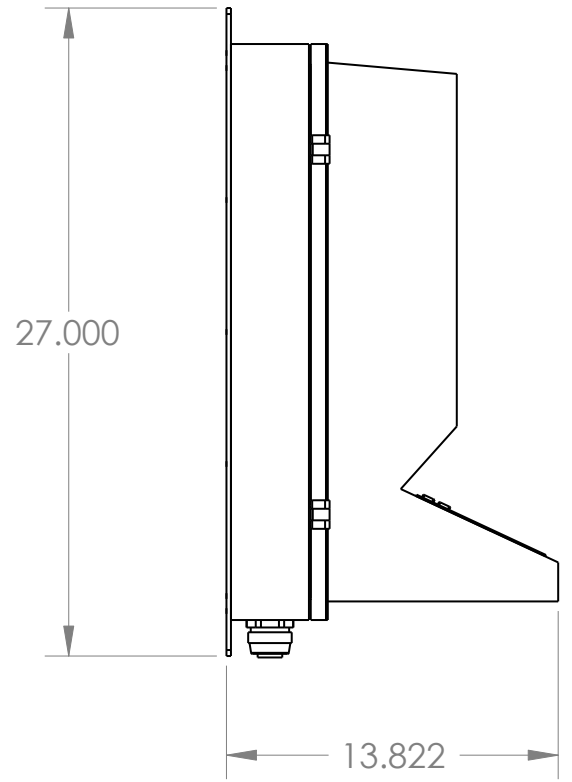


| REVISIONS | | | | |
|-----------|------|---------------------------|----------|----------|
| ECO | REV. | DESCRIPTION | DATE | APPROVED |
| | 01 | INITIAL PROTOTYPE RELEASE | 08/17/06 | |
| | | | | |
| | | | | |



UNLESS OTHERWISE SPECIFIED
DIMENSIONS ARE IN INCHES.
TOLERANCES ARE:

| | | |
|-----------|-------------|--------|
| FRACTIONS | DECIMALS | ANGLES |
| | .xx ± .03 | |
| | .xxx ± .010 | |

DO NOT SCALE DRAWING

This document, furnished by
VarTech Systems, INC.
11529 Sun Belt Ct
Baton Rouge, LA 70809

is proprietary data, which shall not, without the written authority of an officer of VARTECH SYSTEMS, INC., be either (a) used, released or disclosed in whole or in part outside the customer's internal staff, or (b) used for manufacturing or any other purposes. This legend, shall be included on any reproduction thereof. All copy and patent rights are reserved by D.D.I.

| | | | |
|---------------------|----------|----------------------|--------------|
| PART NO. VT500ESW | | VarTech Systems Inc. | |
| CONTRACT NO. | | VT500ESW | |
| APPROVALS | DATE | | |
| DRAWN: TONY YAROSKY | 08/17/06 | | |
| CHECKED: | | SIZE B | DRAWING NO. |
| MATERIAL: | | | REV. 1 |
| FINISH: | | | SHEET 1 OF 1 |