

8 7 6 5 4 3 2 1

CHANGE HISTORY		
FILE INDEX	DESCRIPTION	APPROVAL INITIAL DATE

D

D

C

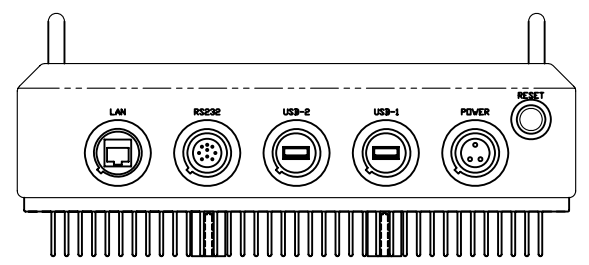
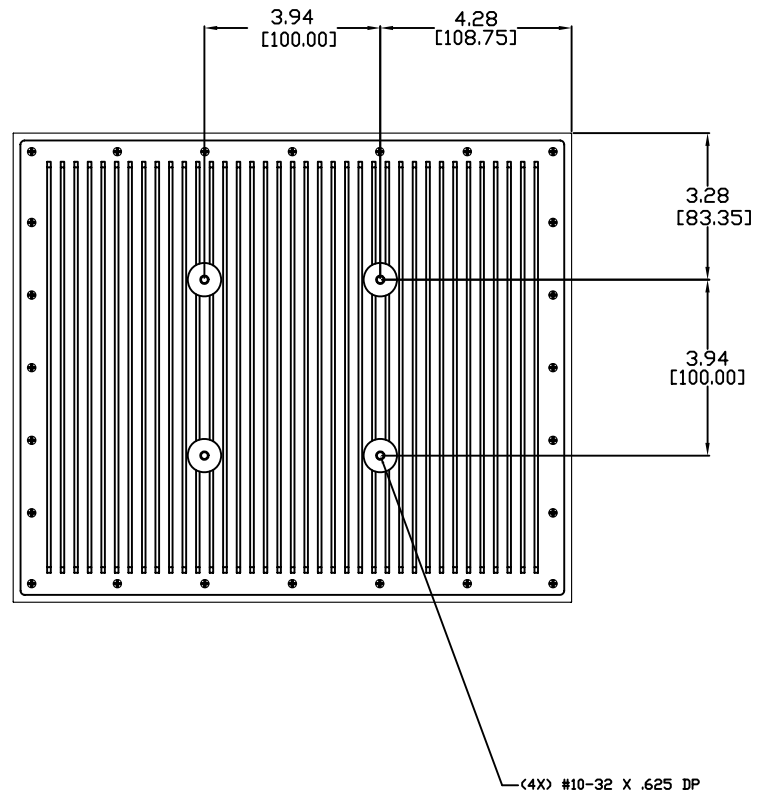
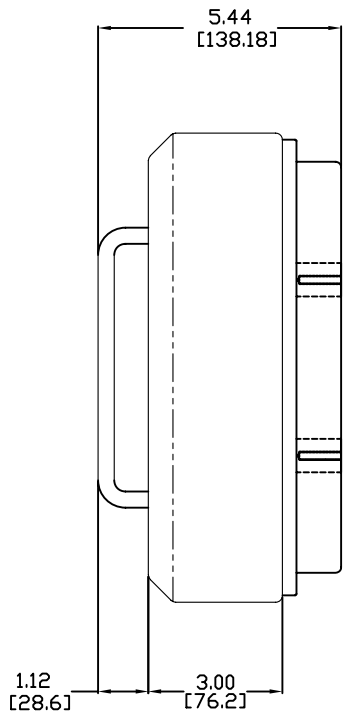
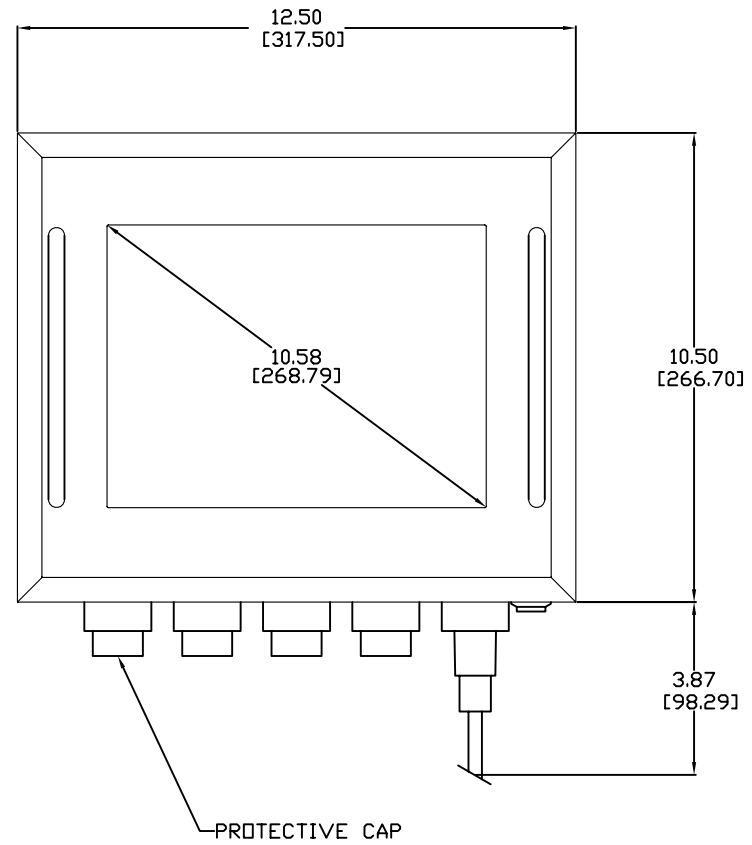
C

B

B

A

A



ITEM	QTY	MFR. PT.NO.	DESCRIPTION	SYM/NOTE
LIST OF MATERIALS				
UNLESS OTHERWISE SPECIFIED DIMENSIONS ARE IN INCHES AND APPLY BEFORE FINISH SURFACE ROUGHNESS .125/ TOLERANCE ON FRACTIONS DECIMALS ANGLES ± 1/64 ±.XX=.02 ± 1/2		DRAWN NJM	DATE 06/24/08	 VARTECH SYSTEMS 10.4" VTPC104EC/ECHB W/ TOUCH SCREEN
		CHECKED		
		DRAFTING		
		ENGINEER		
		MANUF		
		APPROVED		SIZE D
		QA		DWG NO. 482-0031-00
				REV 00
				SCALE 1:1
				SHEET 1 OF 1

8 7 6 5 4 3 2 1

FILE NUMBER: 482-0031-00-00