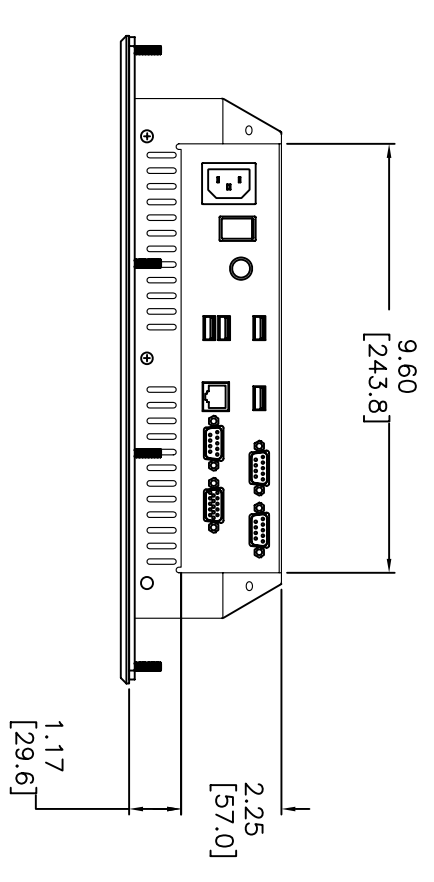
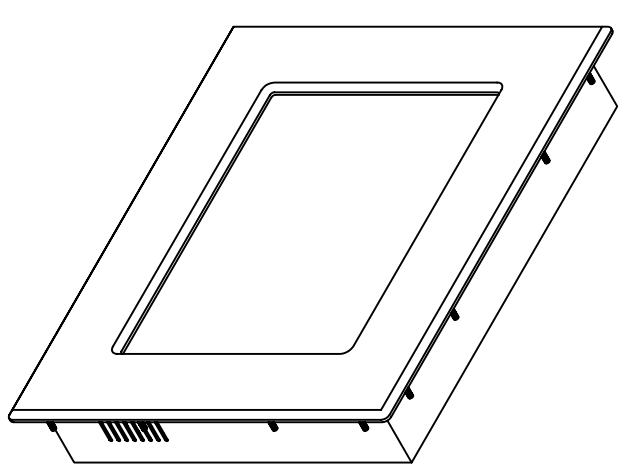
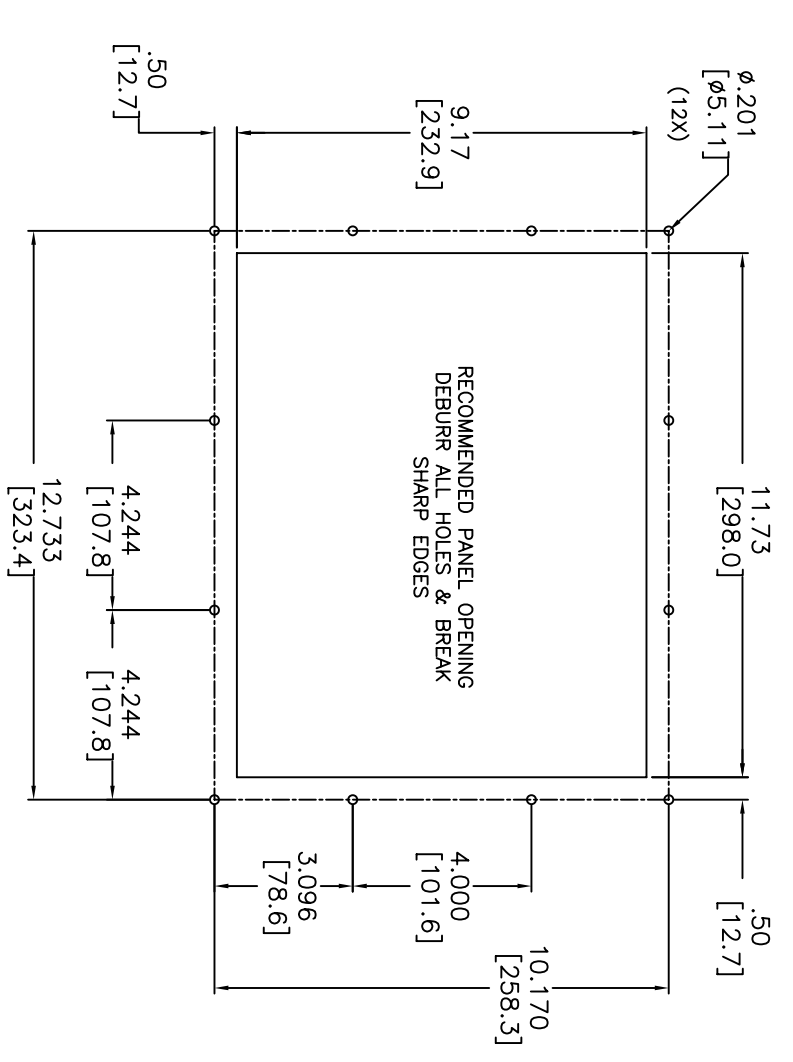
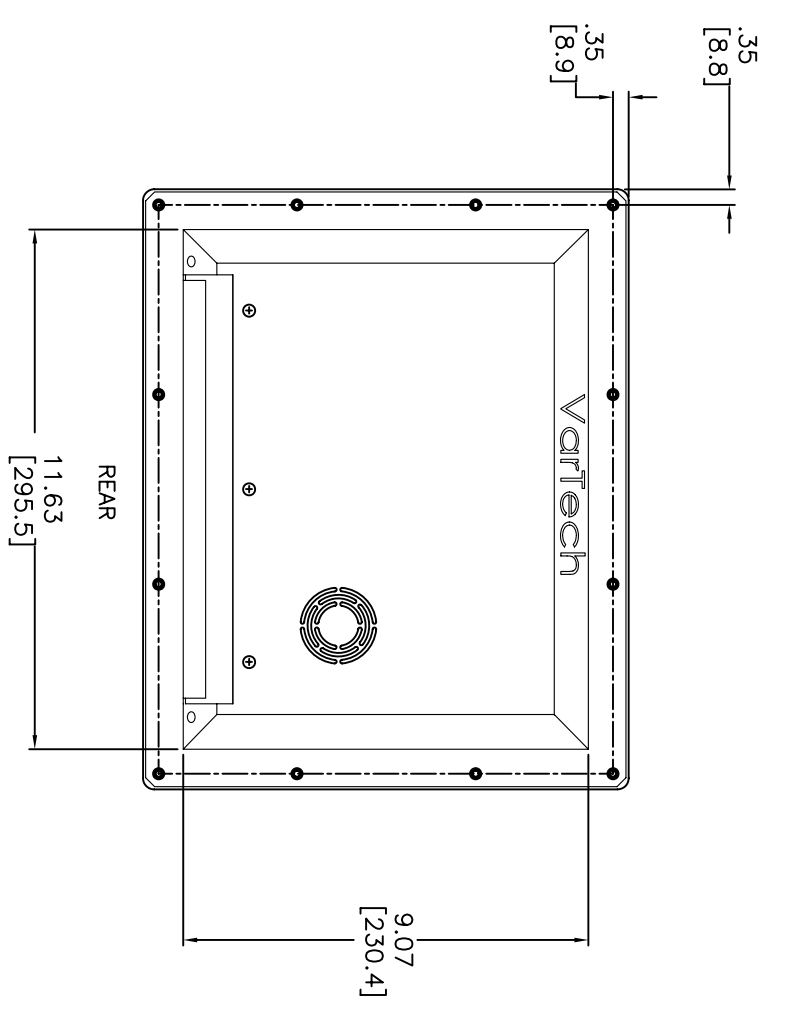
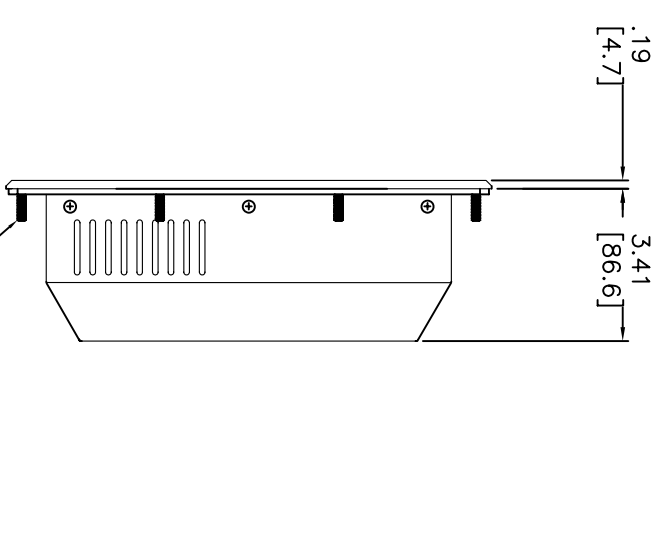
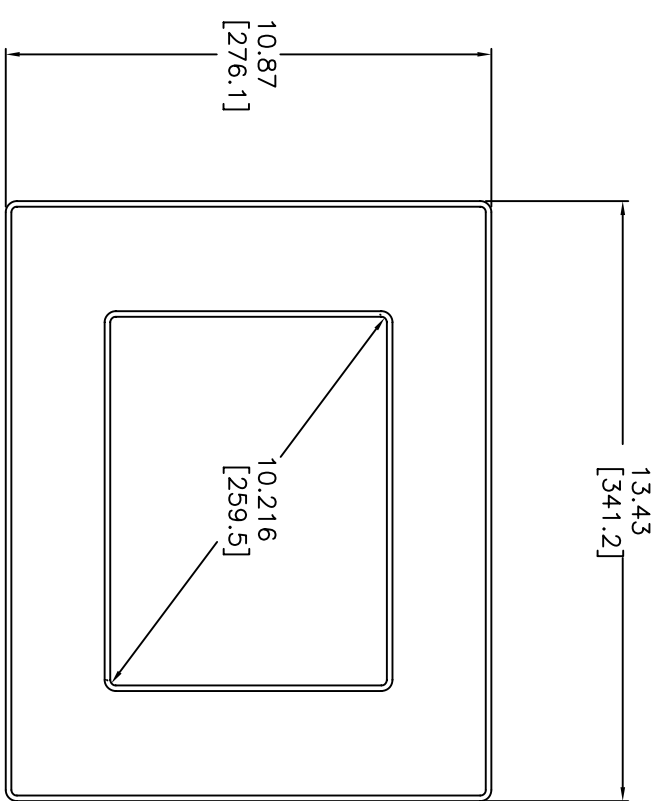


CHANGE HISTORY		APPROVAL
FILE INDEX	DESCRIPTION	INITIAL DATE



ITEM	QTY	MFR. PT.NO.	DESCRIPTION	SYM/NOTE
LIST OF MATERIALS				
UNLESS OTHERWISE SPECIFIED DIMENSIONS ARE IN INCHES AND APPLY BEFORE FINISH .125/ SURFACE ROUGHNESS .125/ TOLERANCES IN DECIMALS ANGLES FRACTIONS 1/2 ± .1/ 1/4 ± .005 ± .005 ± .005				

DRAWN NM		DATE 09/02/2008	
CHECKED		DRAFTING	
ENGINEER		ENGINEER	
MANUF		MANUF	
APPROVED		APPROVED	
QA		QA	
MATERIAL		MATERIAL	
VTPC104PSSH		VTPC104PSSH	
USED ON		USED ON	
APPLICATION		APPLICATION	
SIZE D		SIZE D	
DWG. NO. 482-0032-02		DWG. NO. 482-0032-02	
REV 02		REV 02	
SCALE		SCALE	
FILE NUMBER: 482-0032-02-02		FILE NUMBER: 482-0032-02-02	
SHEET 1 OF 1		SHEET 1 OF 1	

