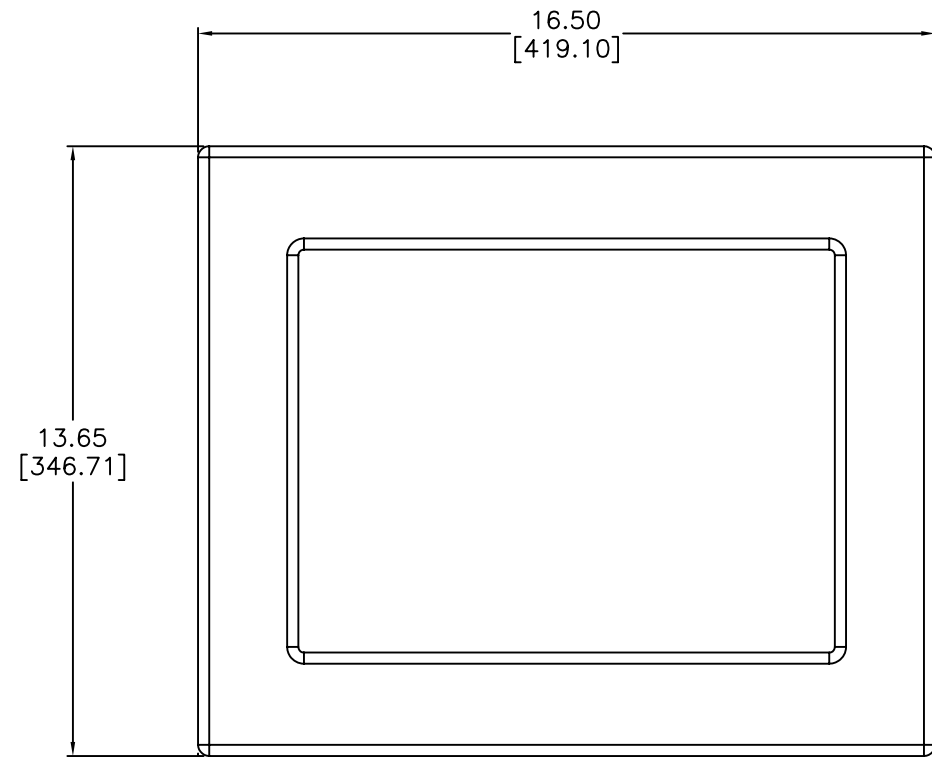
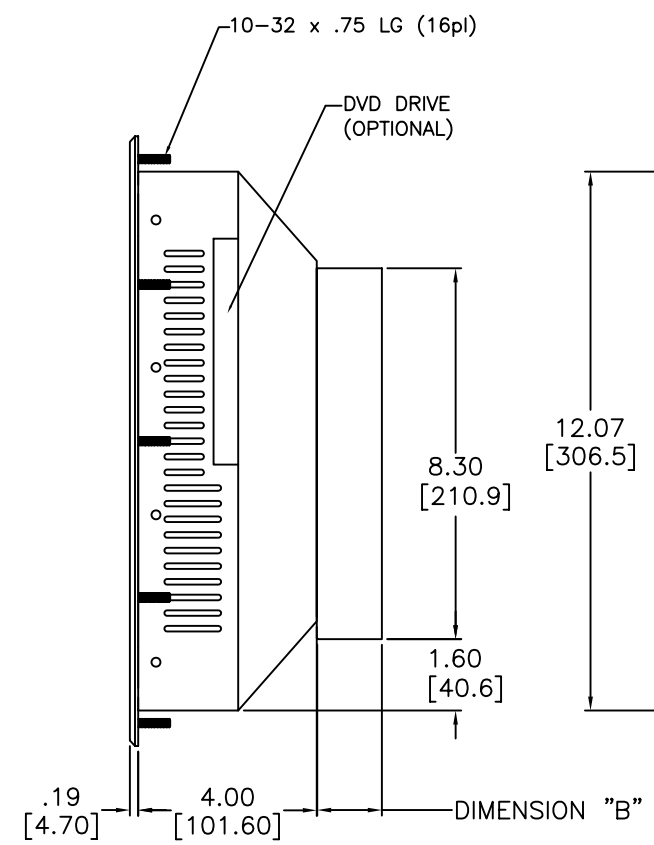


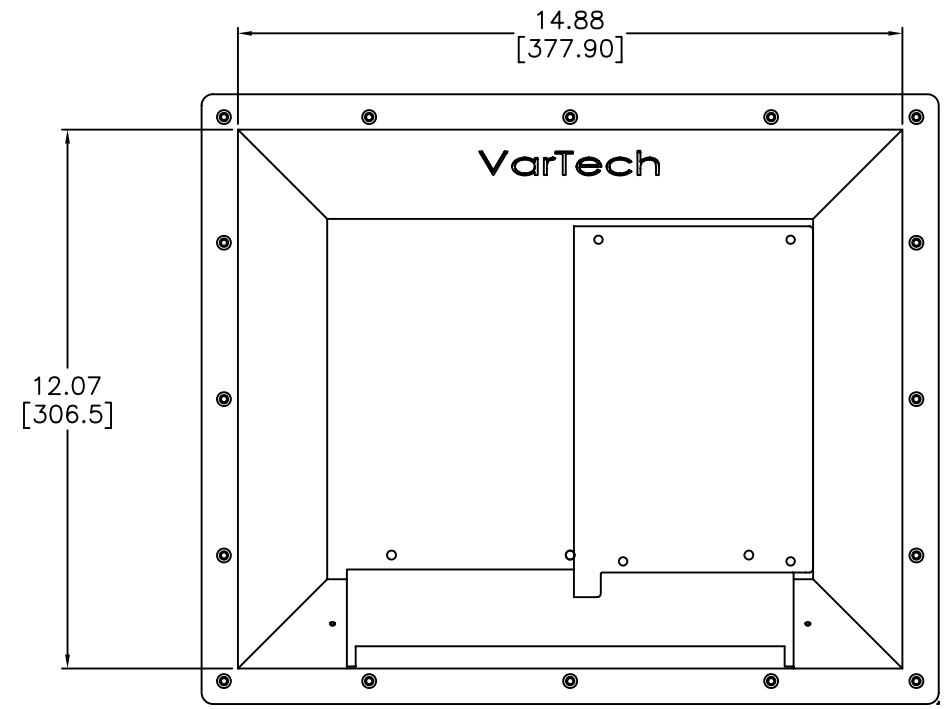
CHANGE HISTORY			
FILE INDEX	DESCRIPTION	APPROVAL INITIAL	APPROVAL DATE
01	REVISED TO SHOW 4" DEPTH & PORT PANEL	MLC	8/27/08
02	ADD TABULATION FOR PCI DIMENSIONS	MLC	1/5/09



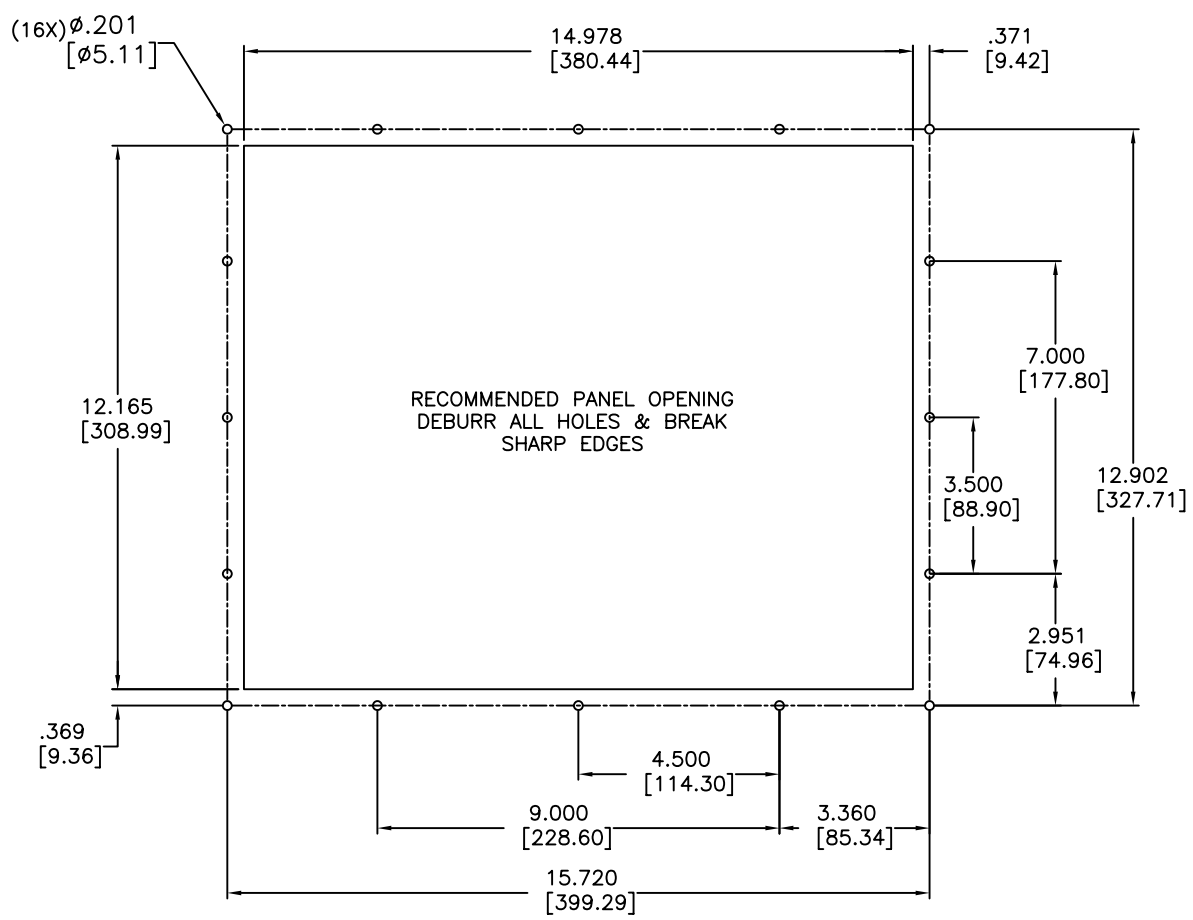
FRONT



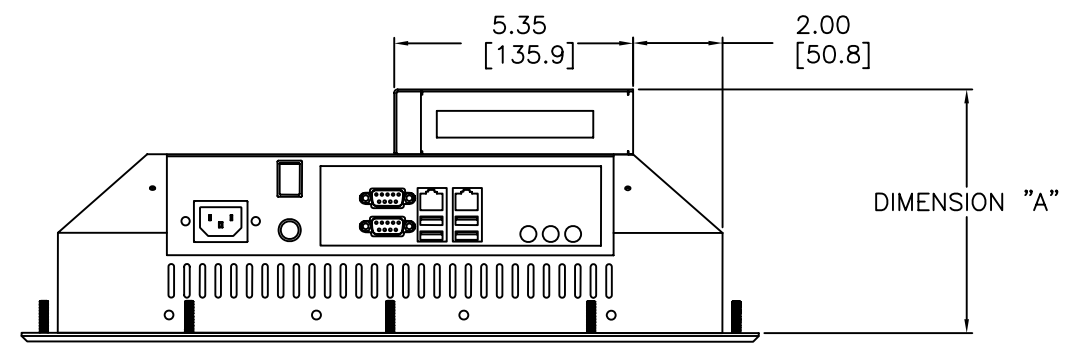
DIMENSION "B"



REAR



RECOMMENDED PANEL OPENING
DEBURR ALL HOLES & BREAK
SHARP EDGES



DIMENSION "A"

ITEM	QTY	MFR. PT.NO.	DESCRIPTION	SYM/NOTE
LIST OF MATERIALS				
UNLESS OTHERWISE SPECIFIED DIMENSIONS ARE IN INCHES AND APPLY BEFORE FINISH SURFACE ROUGHNESS .125/ TOLERANCE ON FRACTIONS DECIMALS ANGLES		DRAWN MLC	DATE 8/26/08	 VARTECH SYSTEMS 15" Panel Mount Computer VTPC150PSSF-K
± 1/64 ± .XX=.02 ± 1/2		CHECKED		
MATERIAL		DRAFTING		
FINISH		ENGINEER		
VTPC150P		MANUF		SIZE D
USED ON		APPROVED		DWG NO. 482-0023-02
APPLICATION		QA		REV 02
SCALE			SHEET 1 OF 1	

NUMBER OF PCI PORTS	DIMENSION "A"	DIMENSION "B"
3 PORTS	7.40" (187.8mm)	3.40" (86.2mm)
2 PORTS	6.61" (167.8mm)	2.61" (66.3mm)
1 PORT	5.12" (130.0mm)	1.12" (28.5mm)