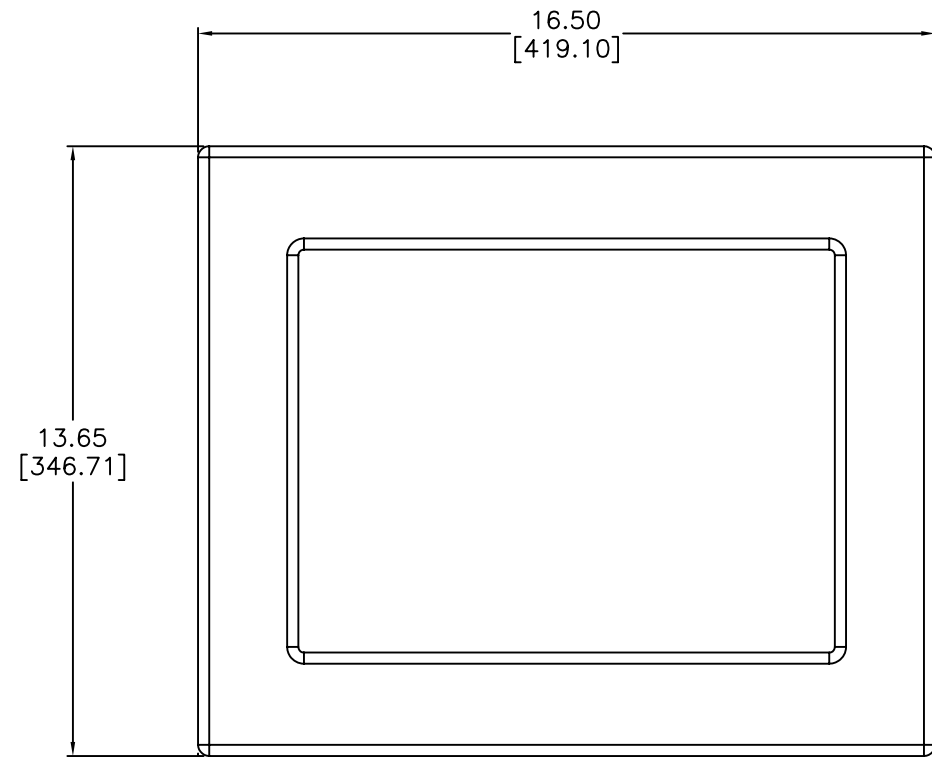
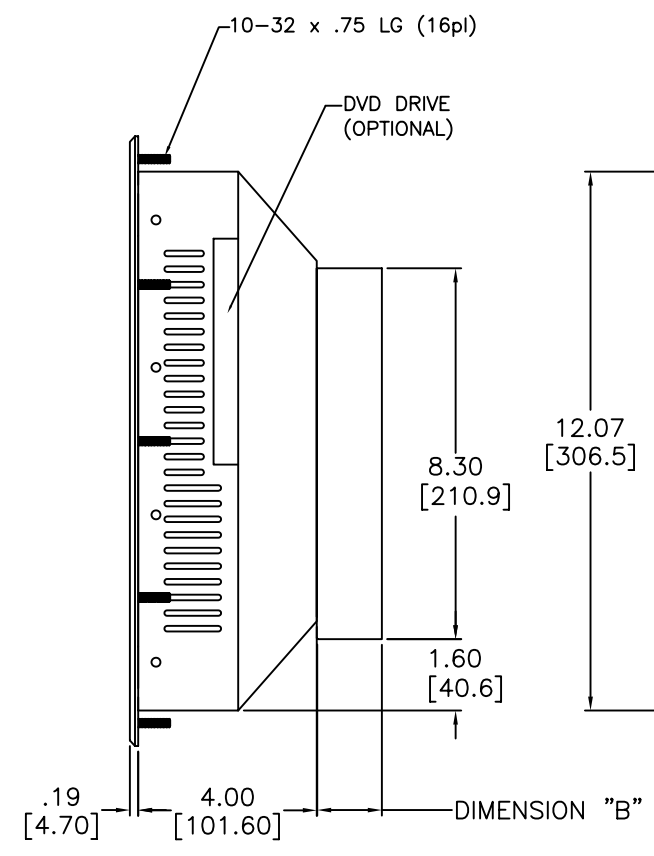


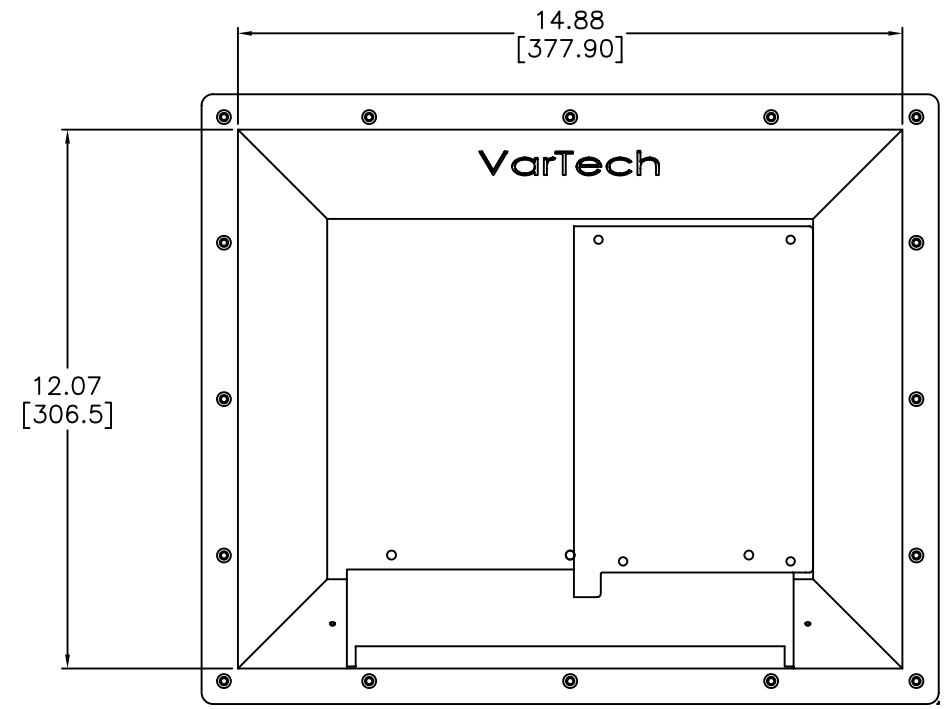
CHANGE HISTORY			
FILE INDEX	DESCRIPTION	APPROVAL INITIAL	APPROVAL DATE
01	REVISED TO SHOW 4" DEPTH & PORT PANEL	MLC	8/27/08
02	ADD TABULATION FOR PCI DIMENSIONS	MLC	1/5/09



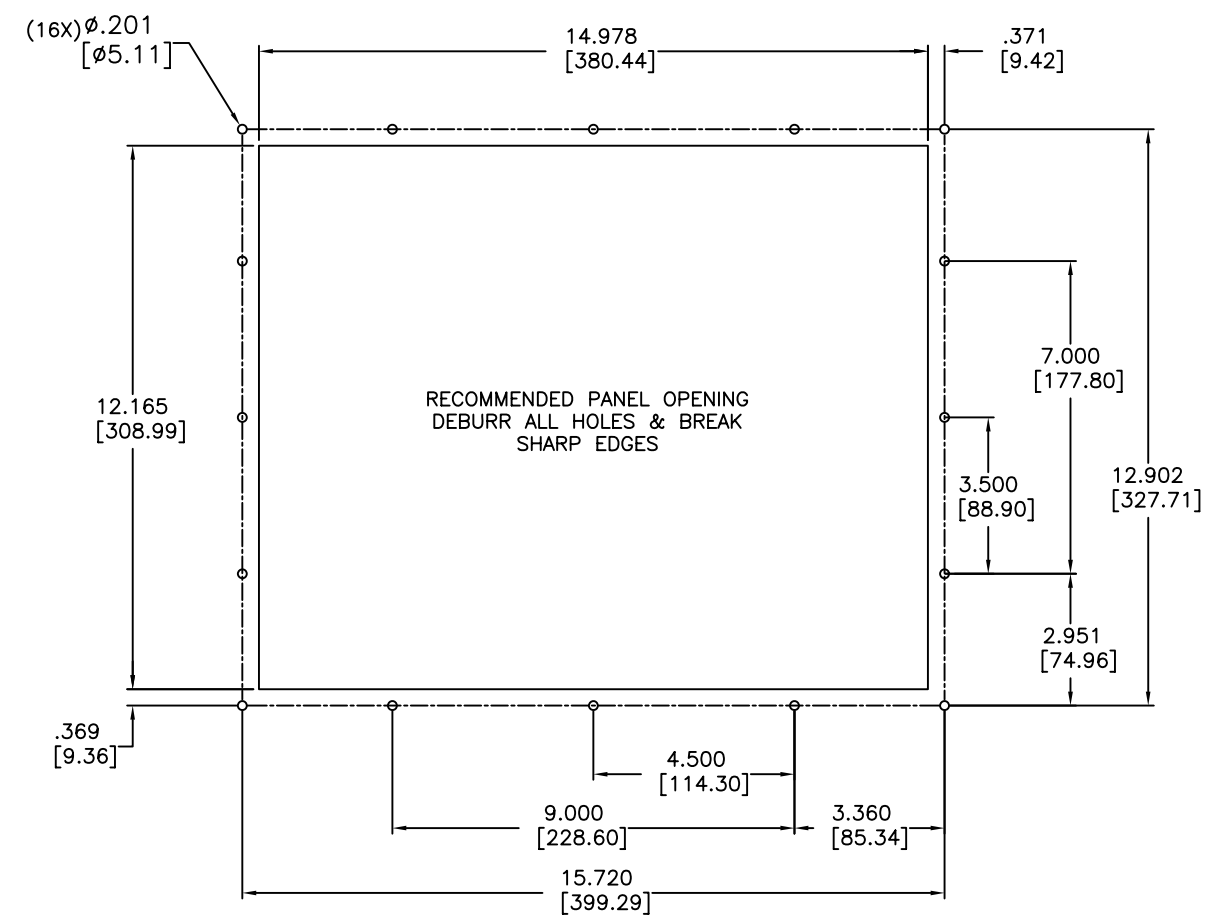
FRONT



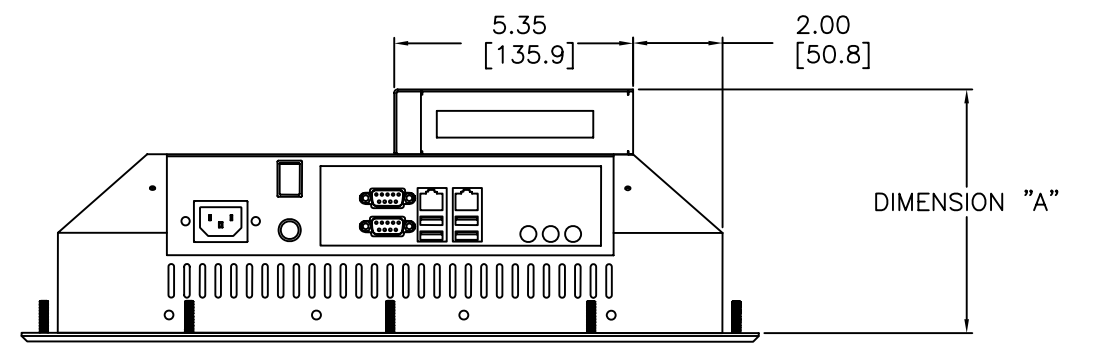
DIMENSION "B"



REAR



RECOMMENDED PANEL OPENING  
DEBURR ALL HOLES & BREAK  
SHARP EDGES



DIMENSION "A"

ITEM	QTY	MFR. PT.NO.	DESCRIPTION	SYM/NOTE
LIST OF MATERIALS				
UNLESS OTHERWISE SPECIFIED DIMENSIONS ARE IN INCHES AND APPLY BEFORE FINISH SURFACE ROUGHNESS .125/ TOLERANCE ON FRACTIONS   DECIMALS   ANGLES		DRAWN MLC	DATE 8/26/08	 <b>VARTECH SYSTEMS</b> 15" Panel Mount Computer VTPC150PSSF-K
± 1/64   ± .XX=.02   ± 1/2		CHECKED		
		DRAFTING		
		ENGINEER		
MATERIAL		MANUF		SIZE D
FINISH		APPROVED		DWG NO. 482-0023-02
VTPC150P USED ON APPLICATION		QA		REV 02
SCALE			FILE NUMBER: 482-0023-0X VTPC150PF-K_PSSF-K	SHEET 1 OF 1