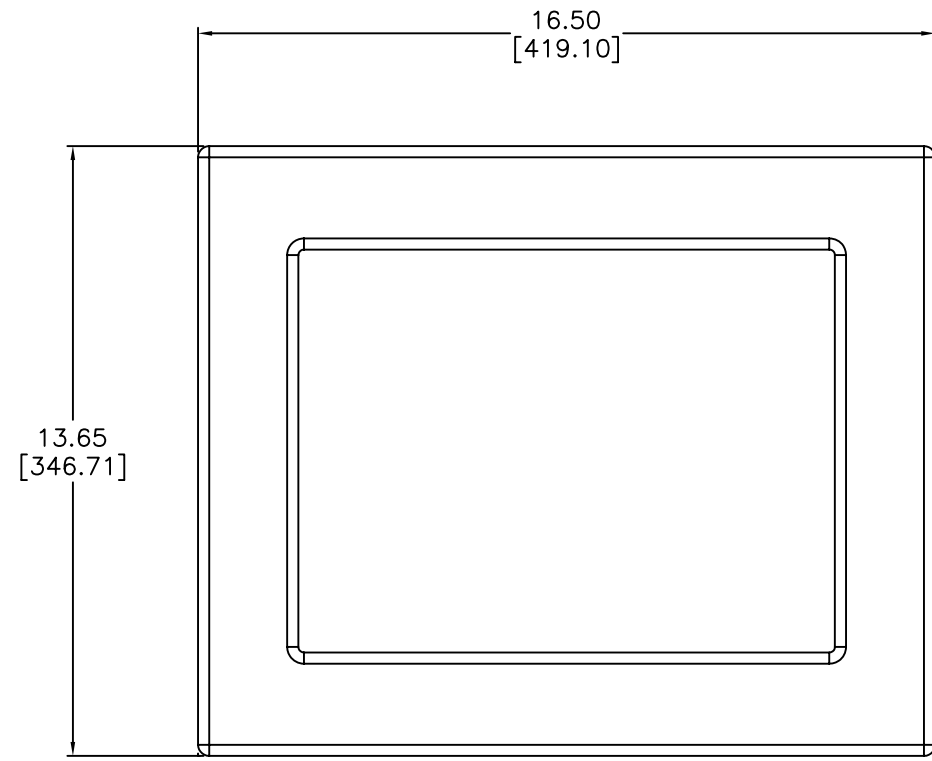
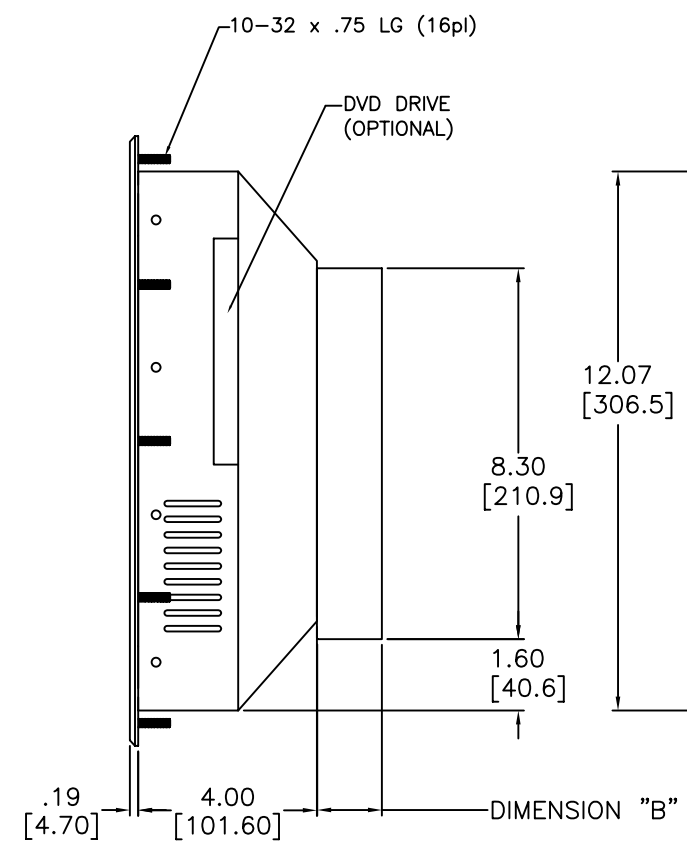


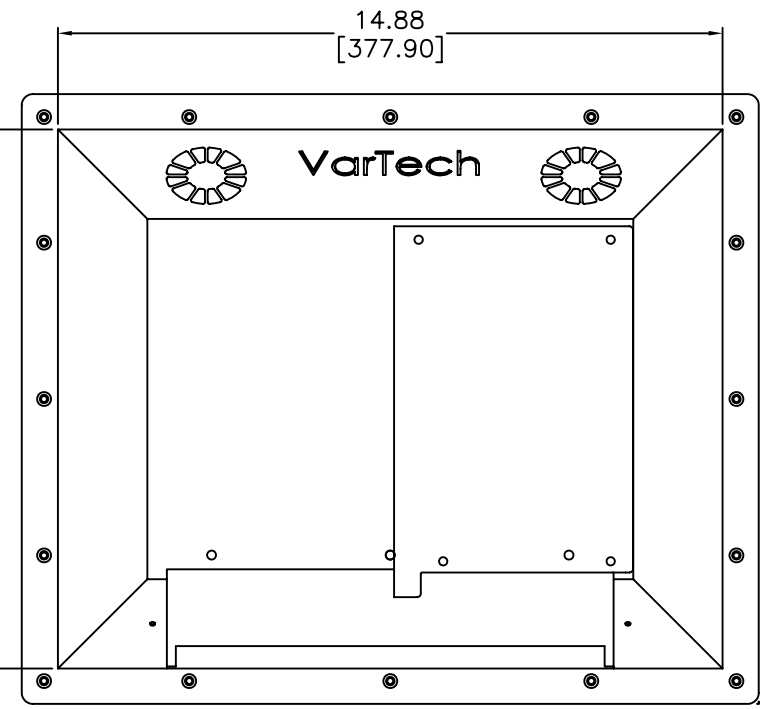
CHANGE HISTORY			
FILE INDEX	DESCRIPTION	APPROVAL INITIAL	APPROVAL DATE
01	REVISED TO SHOW 4" DEPTH & PORT PANEL	MLC	8/27/08
02	ADD TABULATION FOR PCI PORT DIMENSIONS	MLC	1/5/09



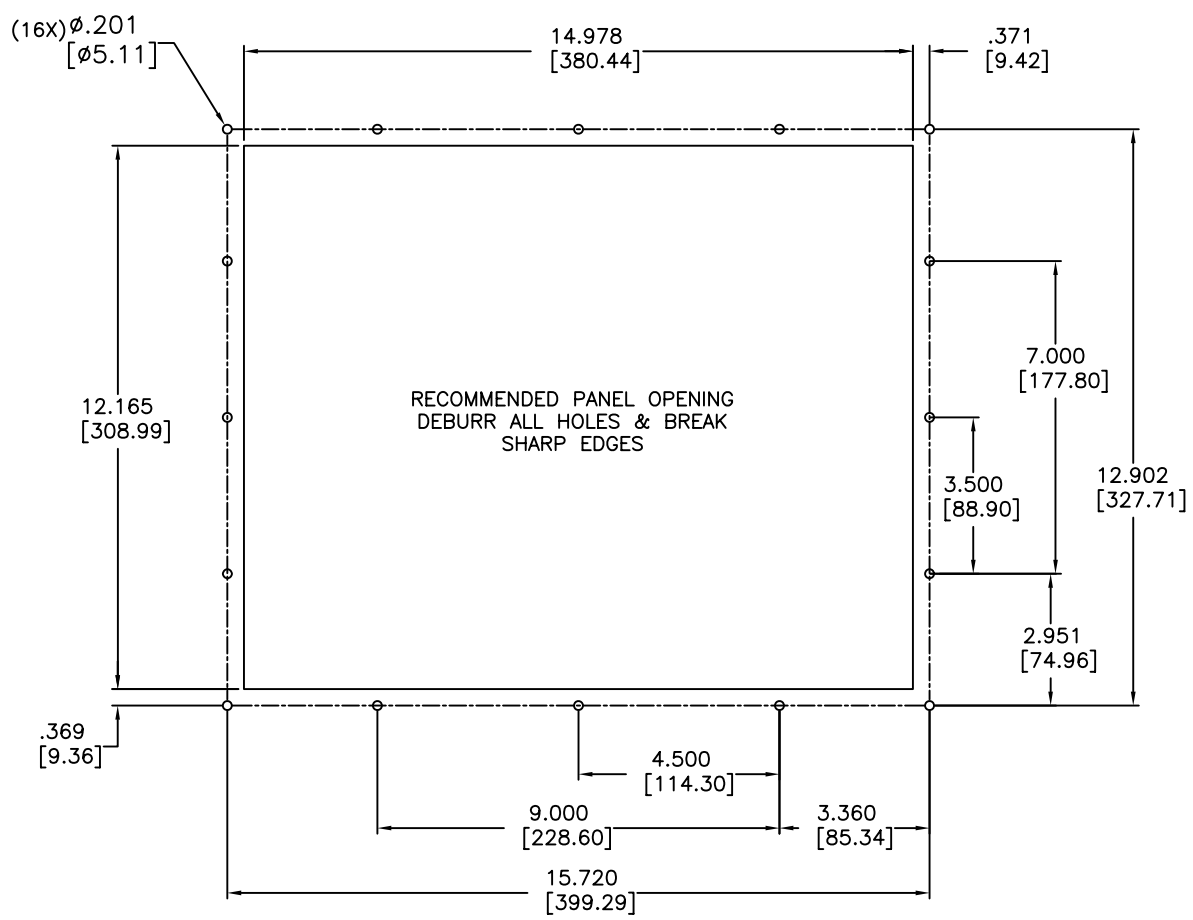
FRONT



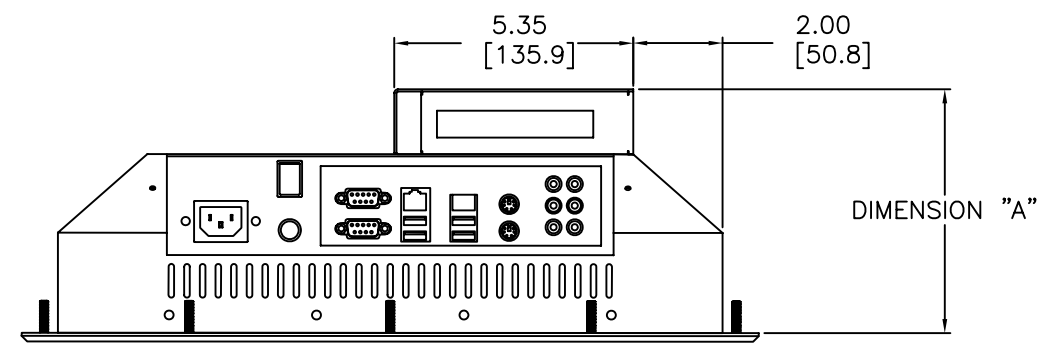
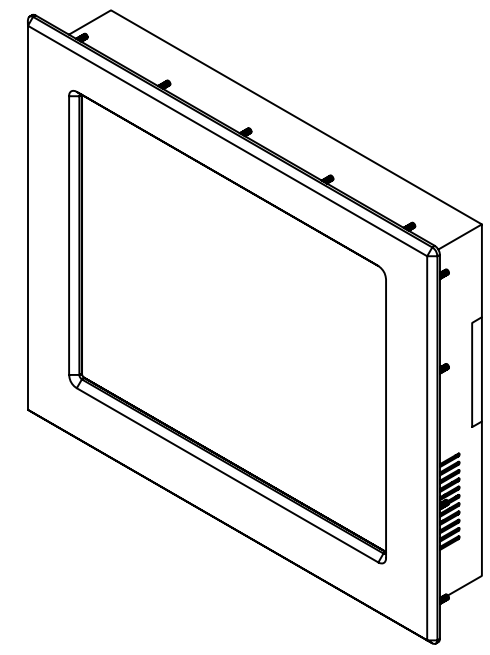
DIMENSION "B"



REAR



RECOMMENDED PANEL OPENING
DEBURR ALL HOLES & BREAK
SHARP EDGES



DIMENSION "A"

ITEM	QTY	MFR. PT.NO.	DESCRIPTION	SYM/NOTE
LIST OF MATERIALS				
UNLESS OTHERWISE SPECIFIED DIMENSIONS ARE IN INCHES AND APPLY BEFORE FINISH SURFACE ROUGHNESS .125/ TOLERANCE ON FRACTIONS DECIMALS ANGLES		DRAWN MLC	DATE 8/26/08	 VARTECH SYSTEMS
± 1/64 ± .XX=.02 ± 1/2		CHECKED		
		DRAFTING		
		ENGINEER		
MATERIAL		MANUF		15" Panel Mount Computer VTPC150PSS-K
FINISH		APPROVED		
APPLICATION		QA		
VTPC150P USED ON				SIZE D
				DWG NO. 482-0016-02
				REV 02
				SCALE
				SHEET 1 OF 1