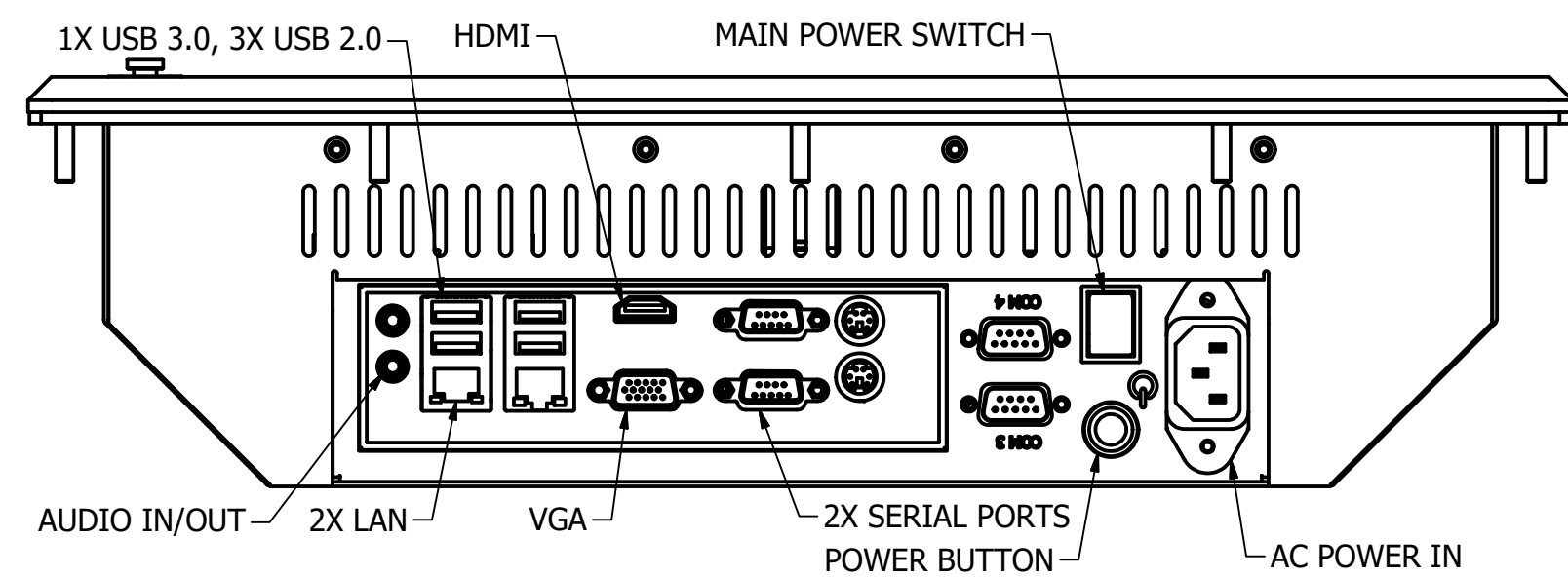
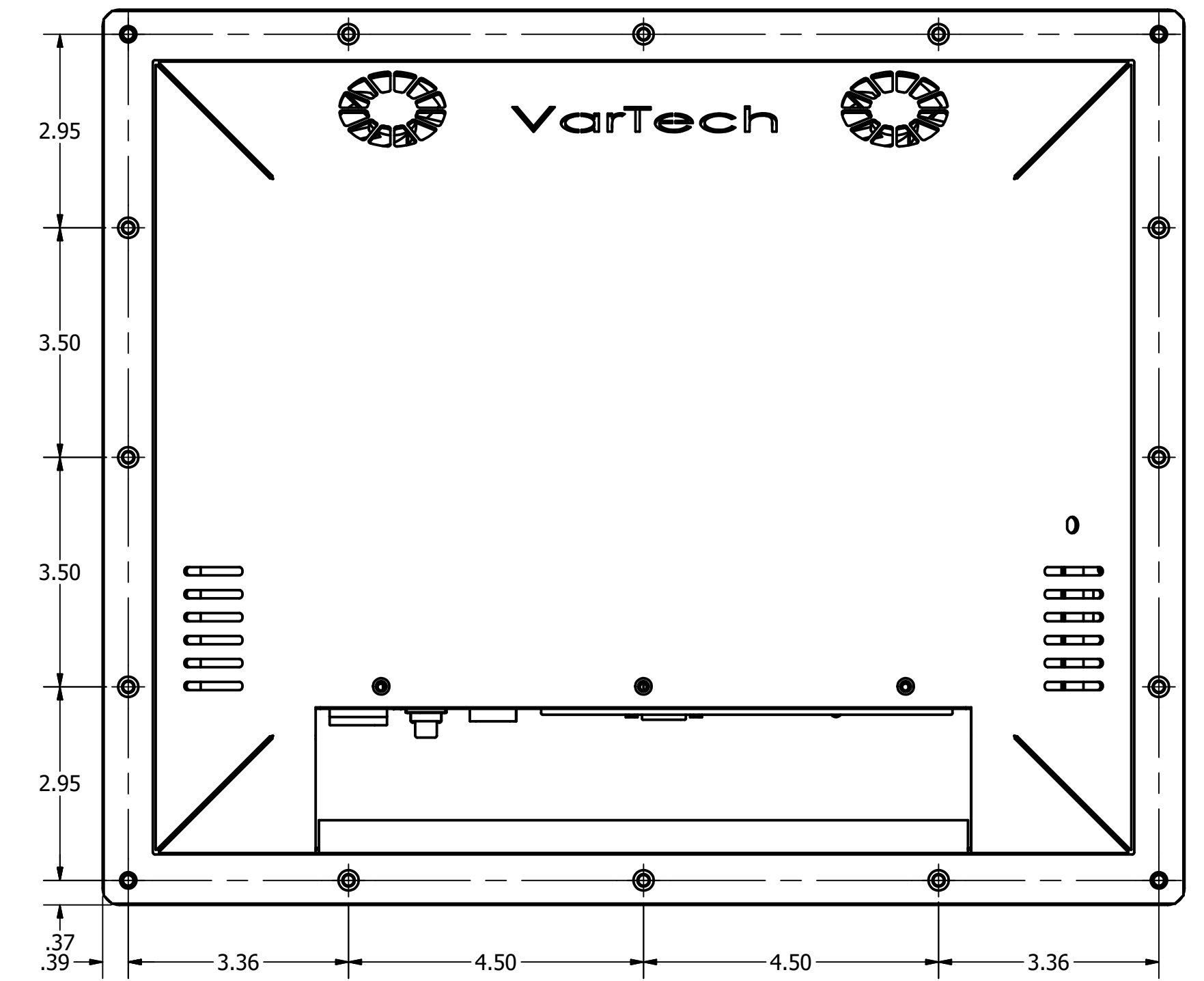
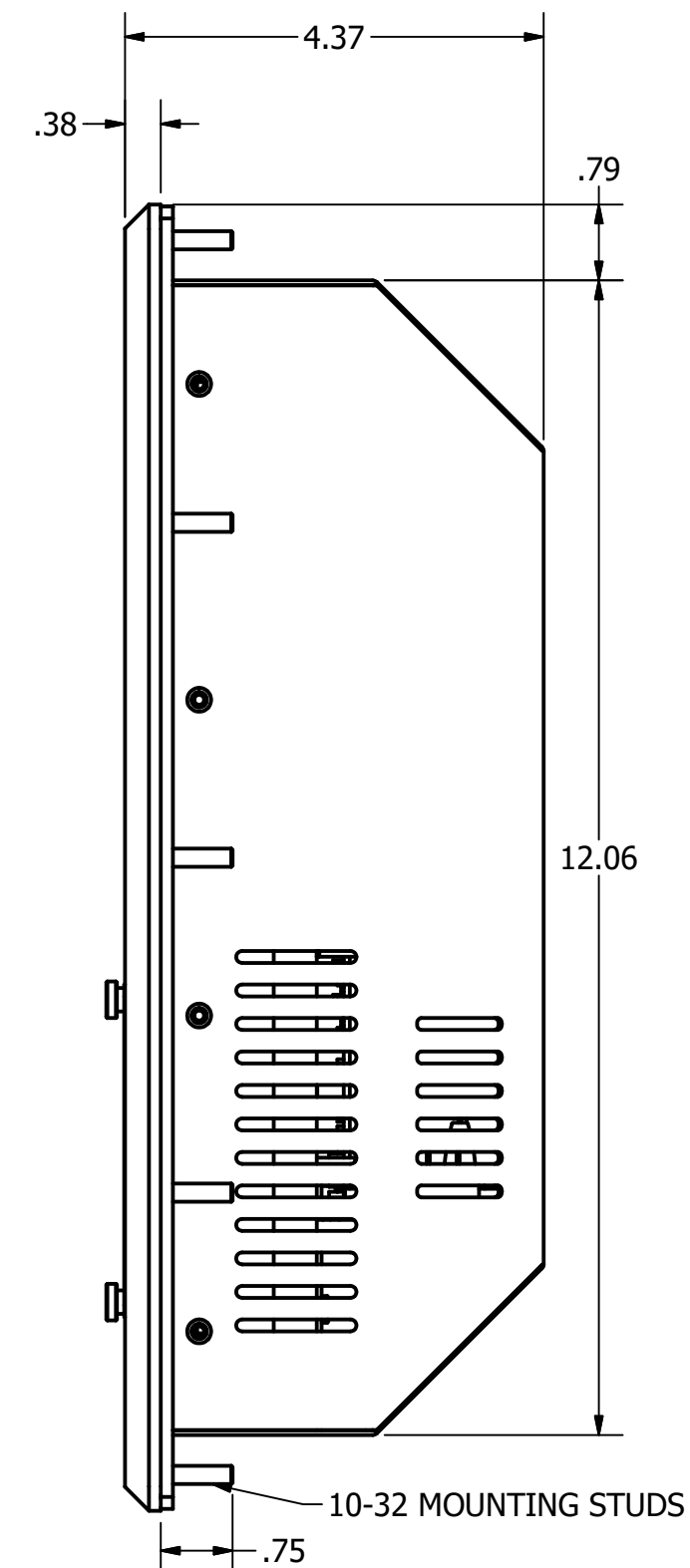
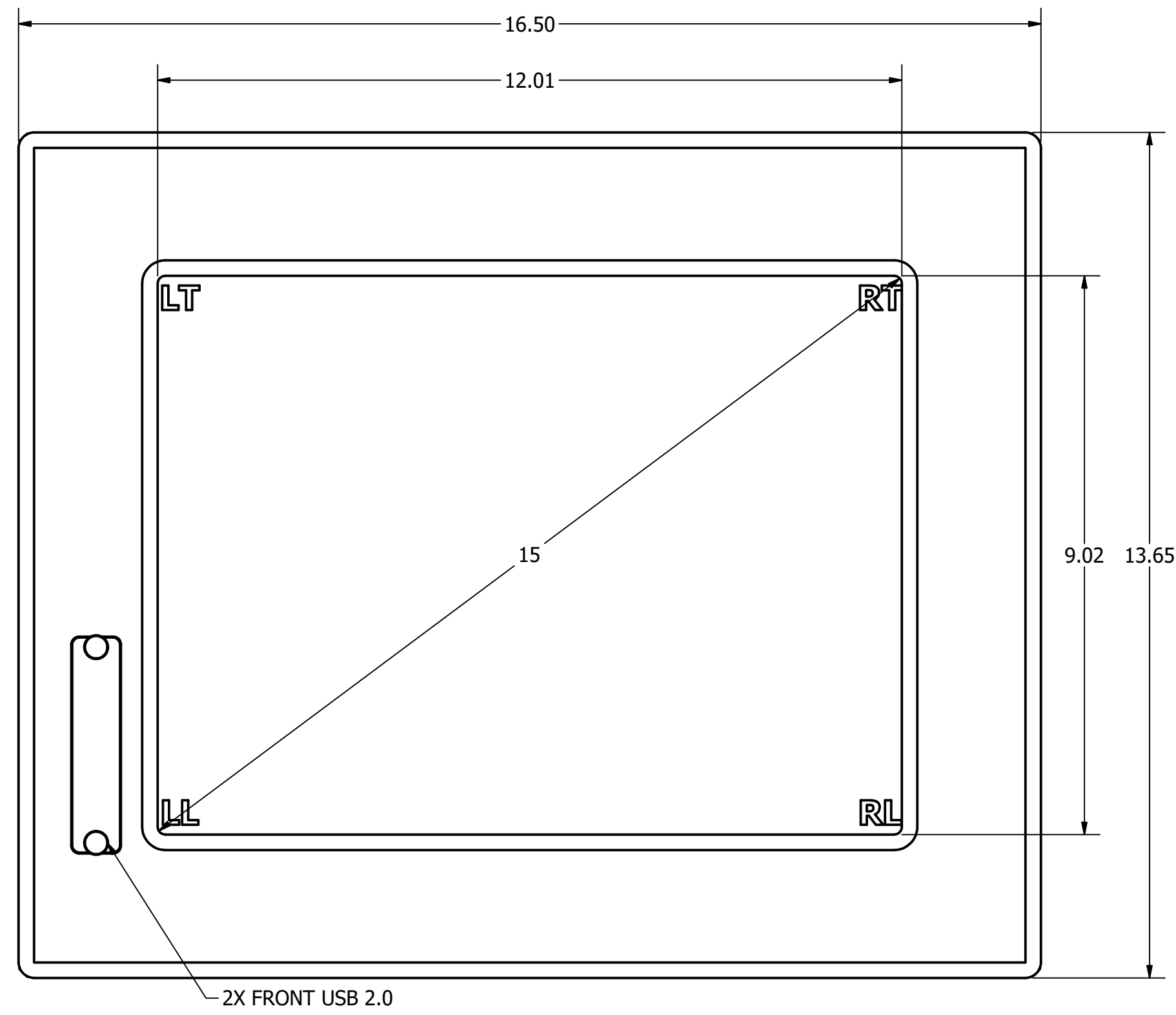
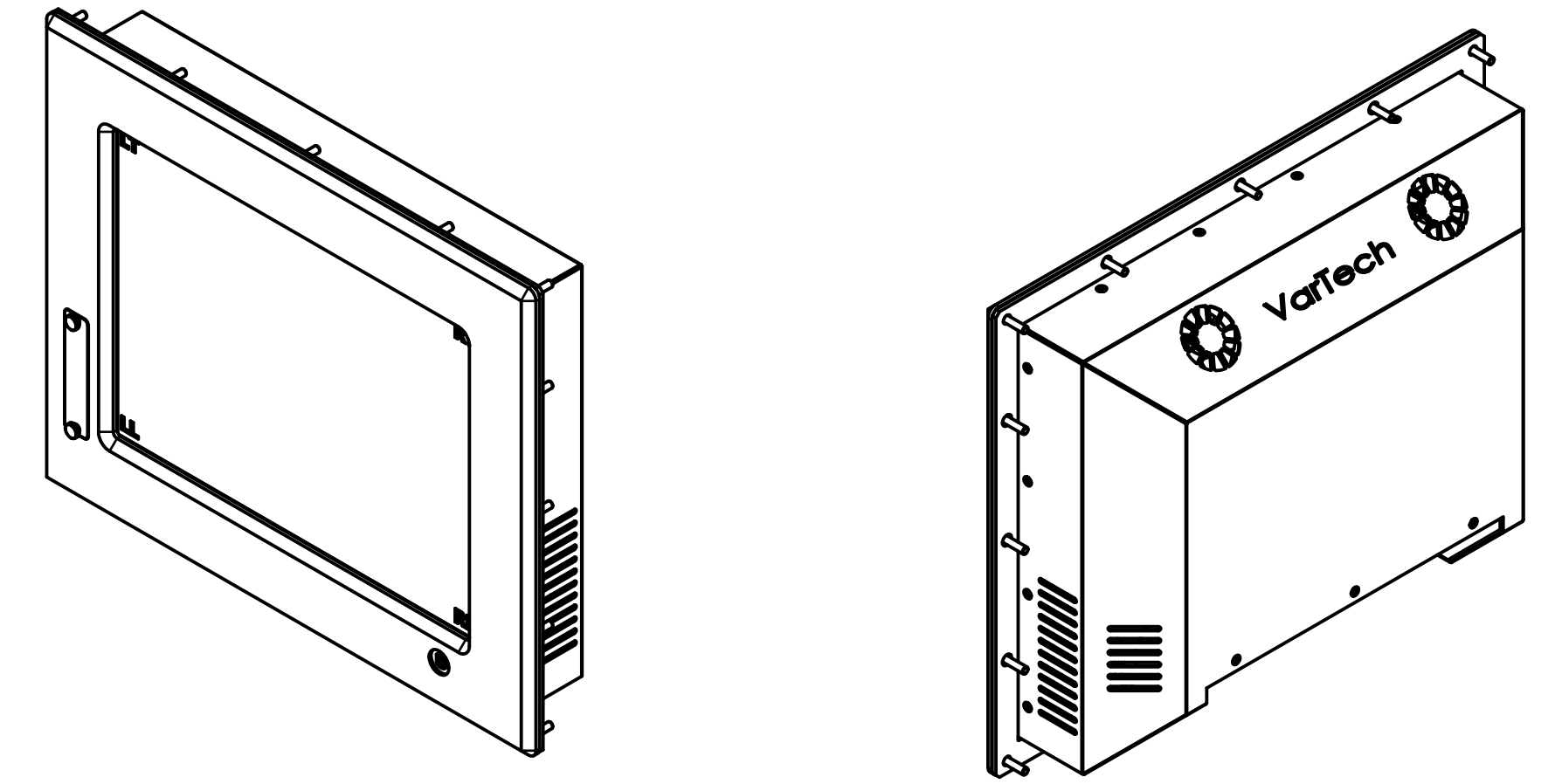
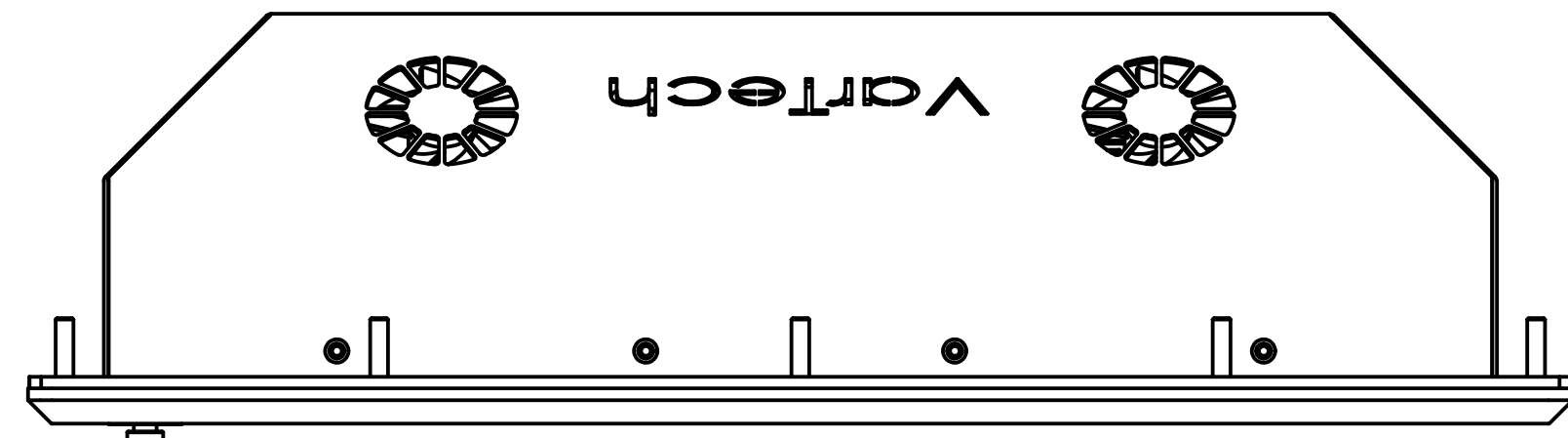
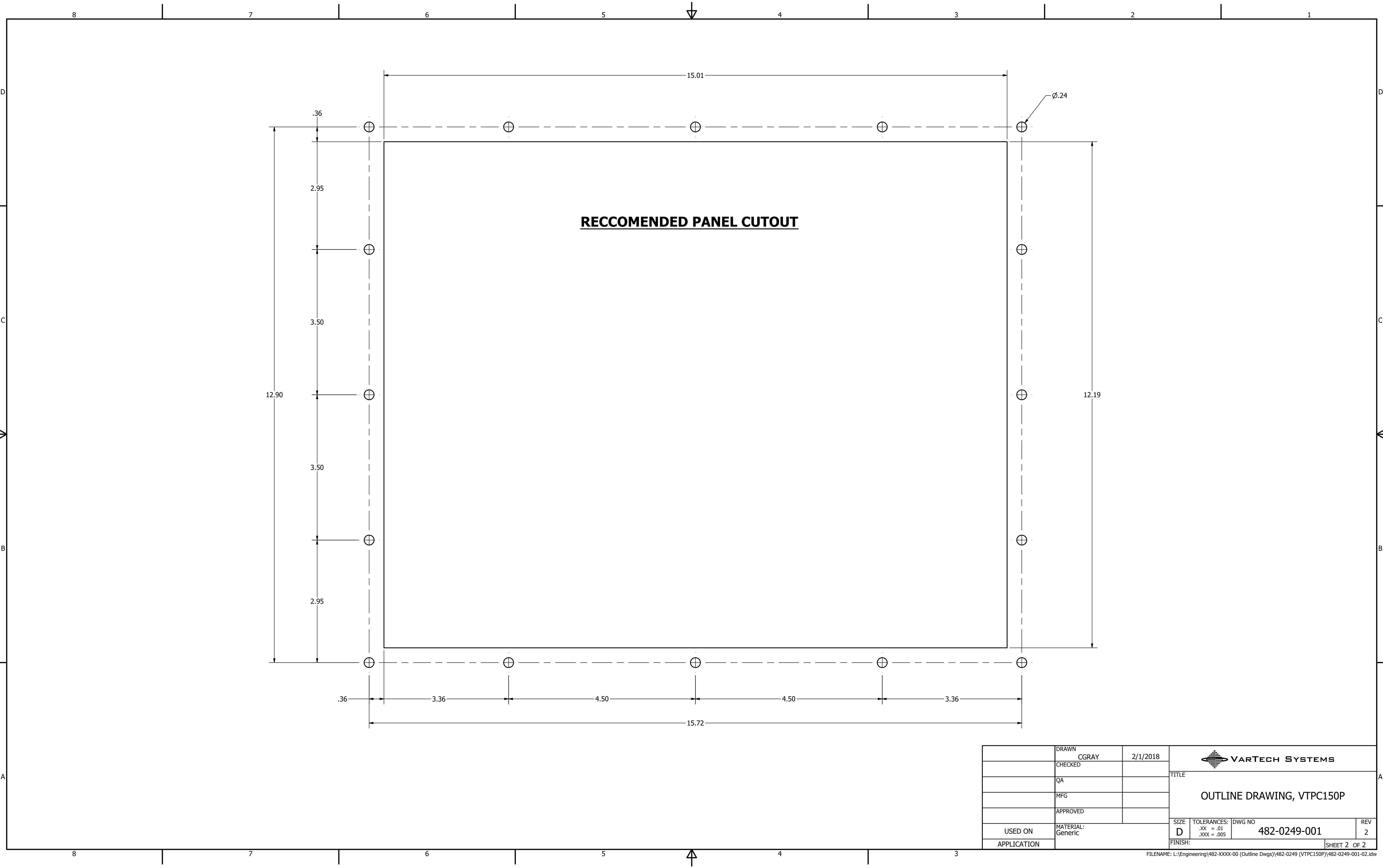



REVISION HISTORY			
REV	DESCRIPTION	APPROVED	DATE
1	RELEASE	COG	4/10/2014
2	UPDATED CONNECTOR INFORMATION, ADDED CONNECTOR LABELS	COG	2/1/2018



DRAWN	CGRAY	2/1/2018	 VARTECH SYSTEMS			
CHECKED						
QA			TITLE			
MFG			OUTLINE DRAWING, VTPC150P			
APPROVED			SIZE	TOLERANCES:	DWG NO	REV
USED ON	MATERIAL:		D	.XX = .01 .XXX = .005	482-0249-001	2
APPLICATION			FINISH:			SHEET 1 OF 2



DRAWN	CGRAY	2/1/2018	 VARTECH SYSTEMS		
CHECKED					
QA					
MFG					
APPROVED			TITLE		
			OUTLINE DRAWING, VTPC150P		
USED ON	MATERIAL:	SIZE	TOLERANCES:	DWG NO	REV
APPLICATION	Generic	D	.XX = .01 .XXX = .005	482-0249-001	2
FINISH:				SHEET 2 OF 2	