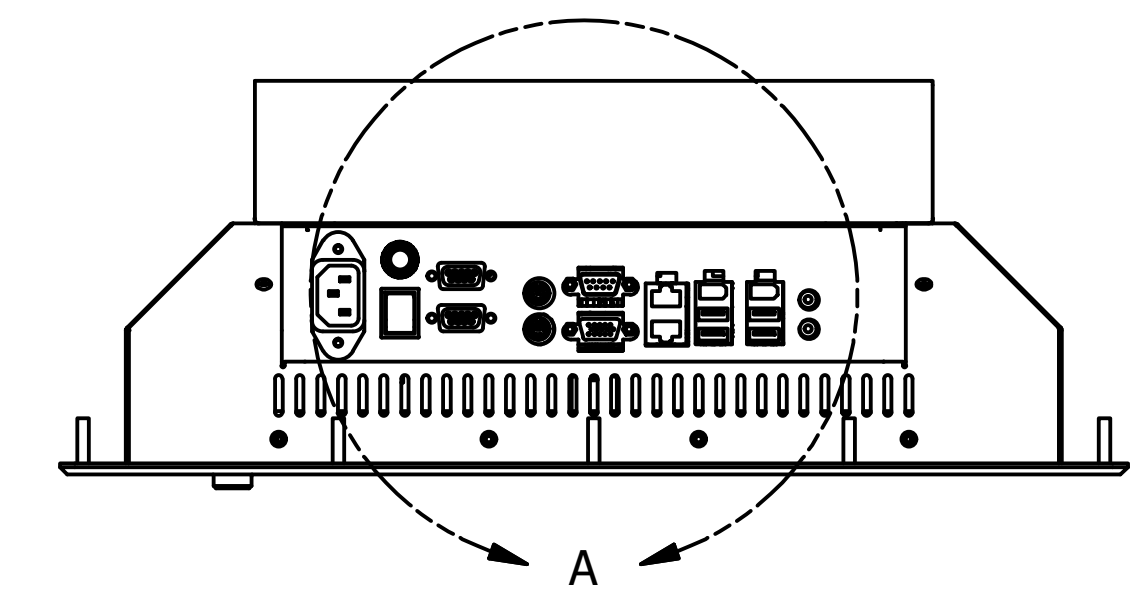
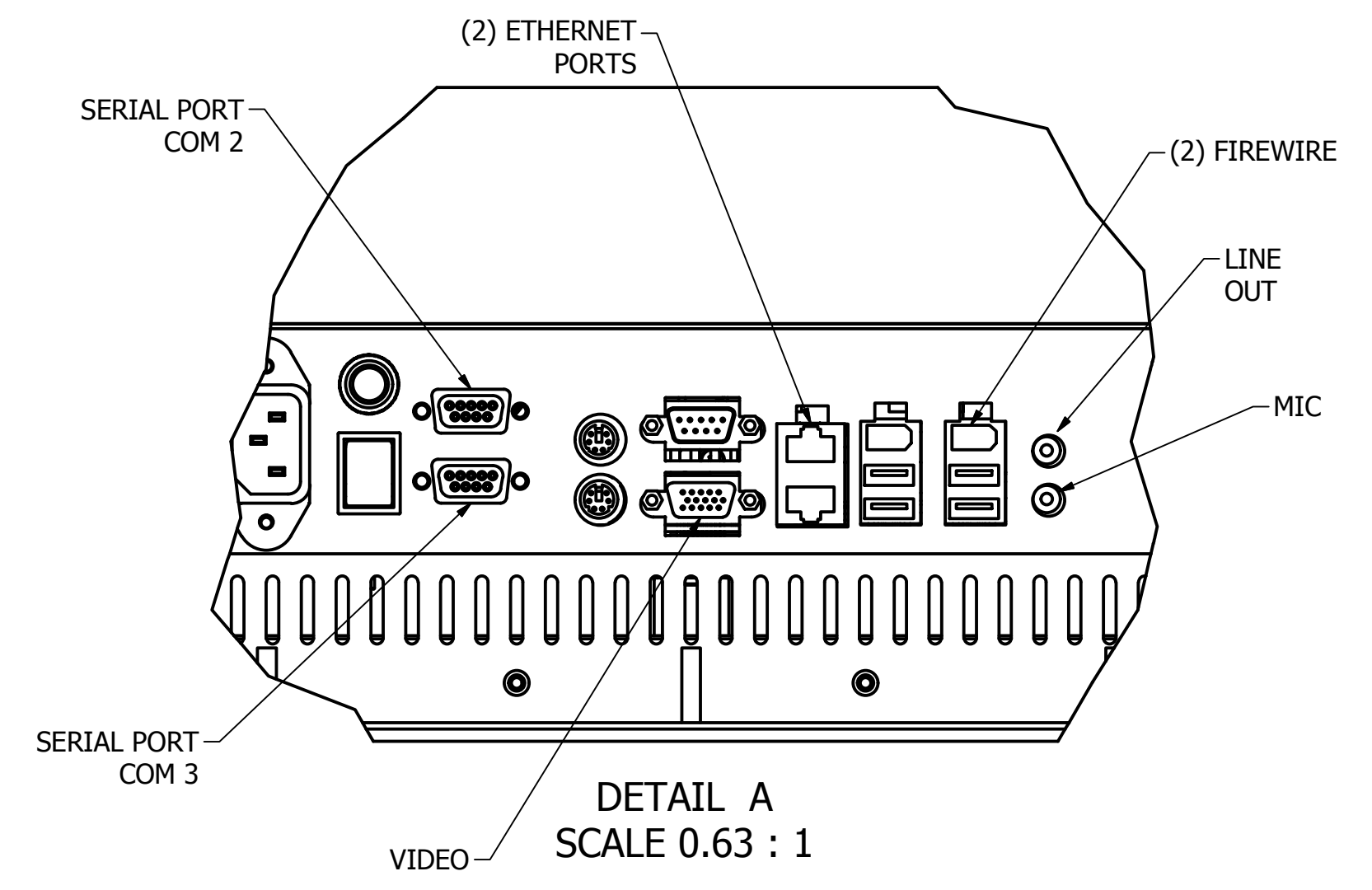
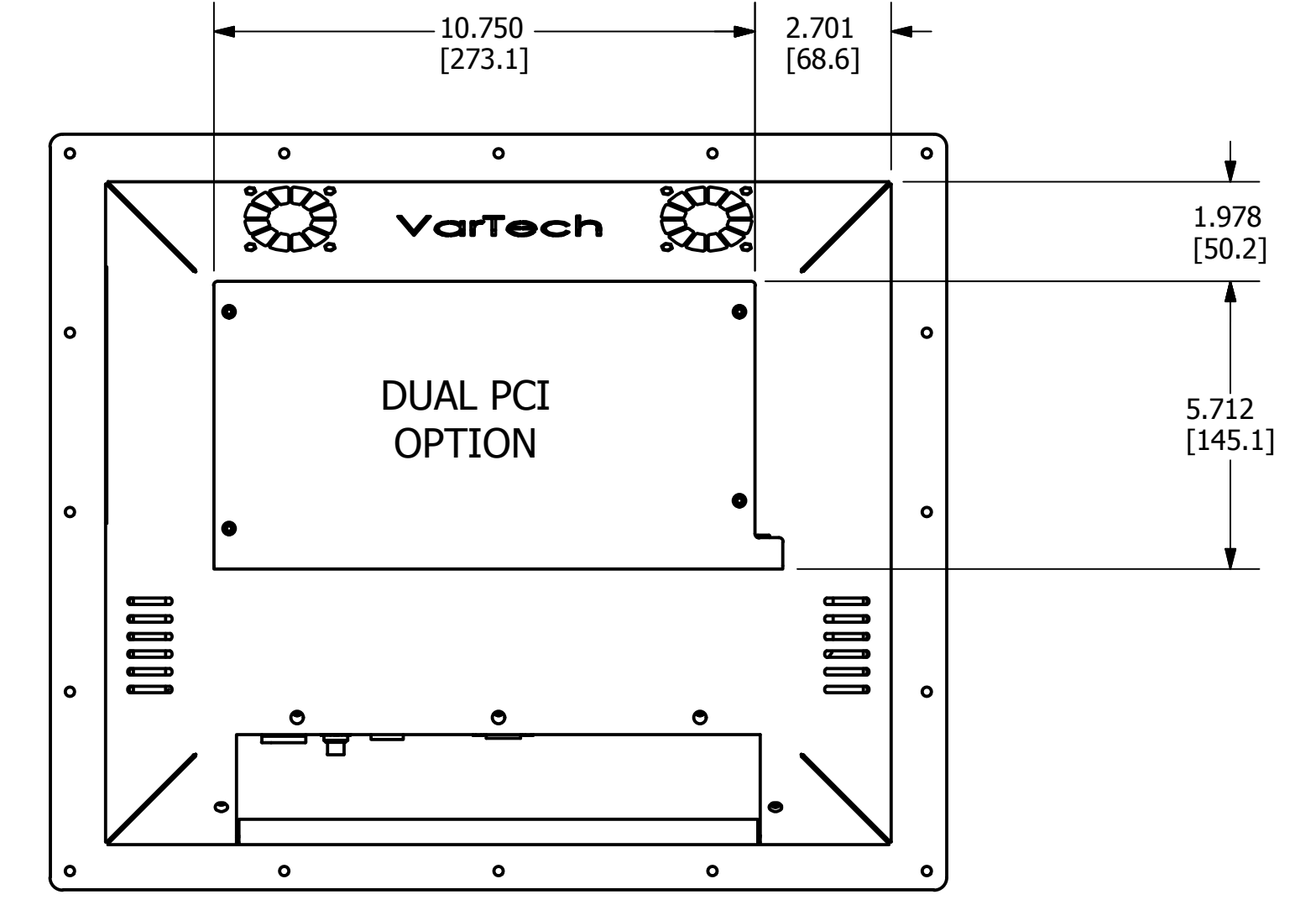
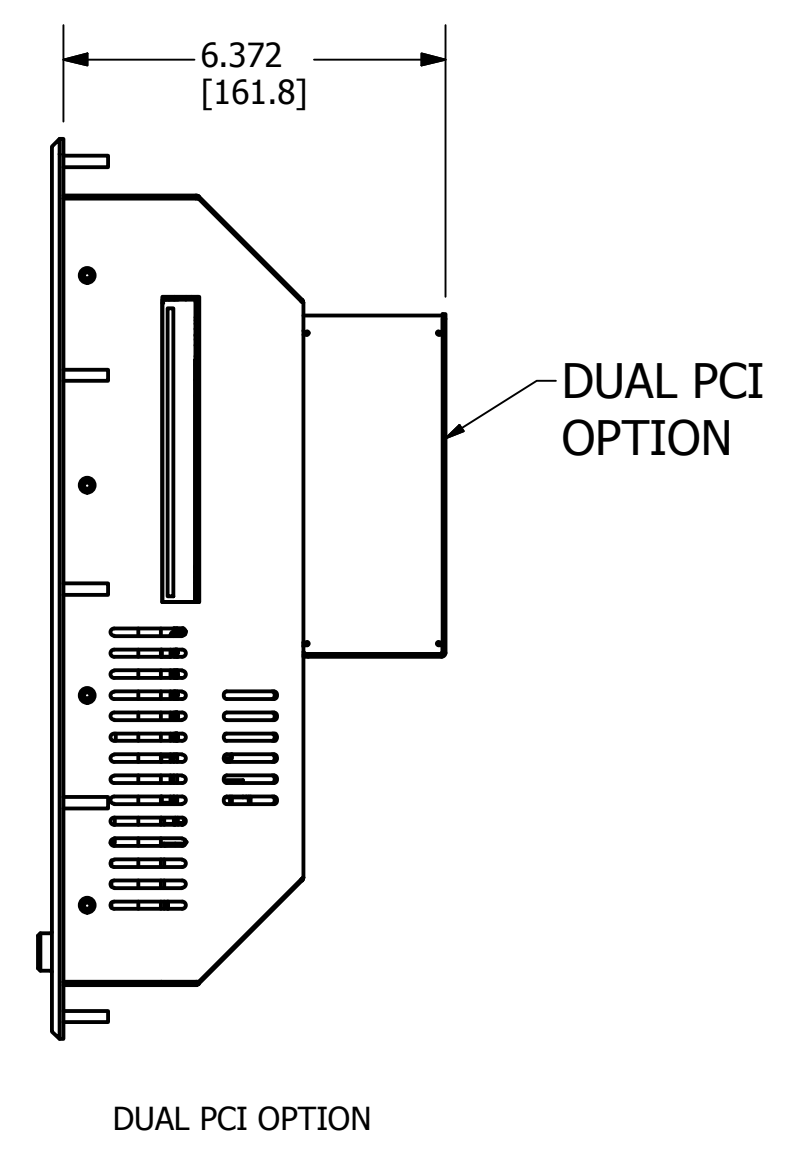
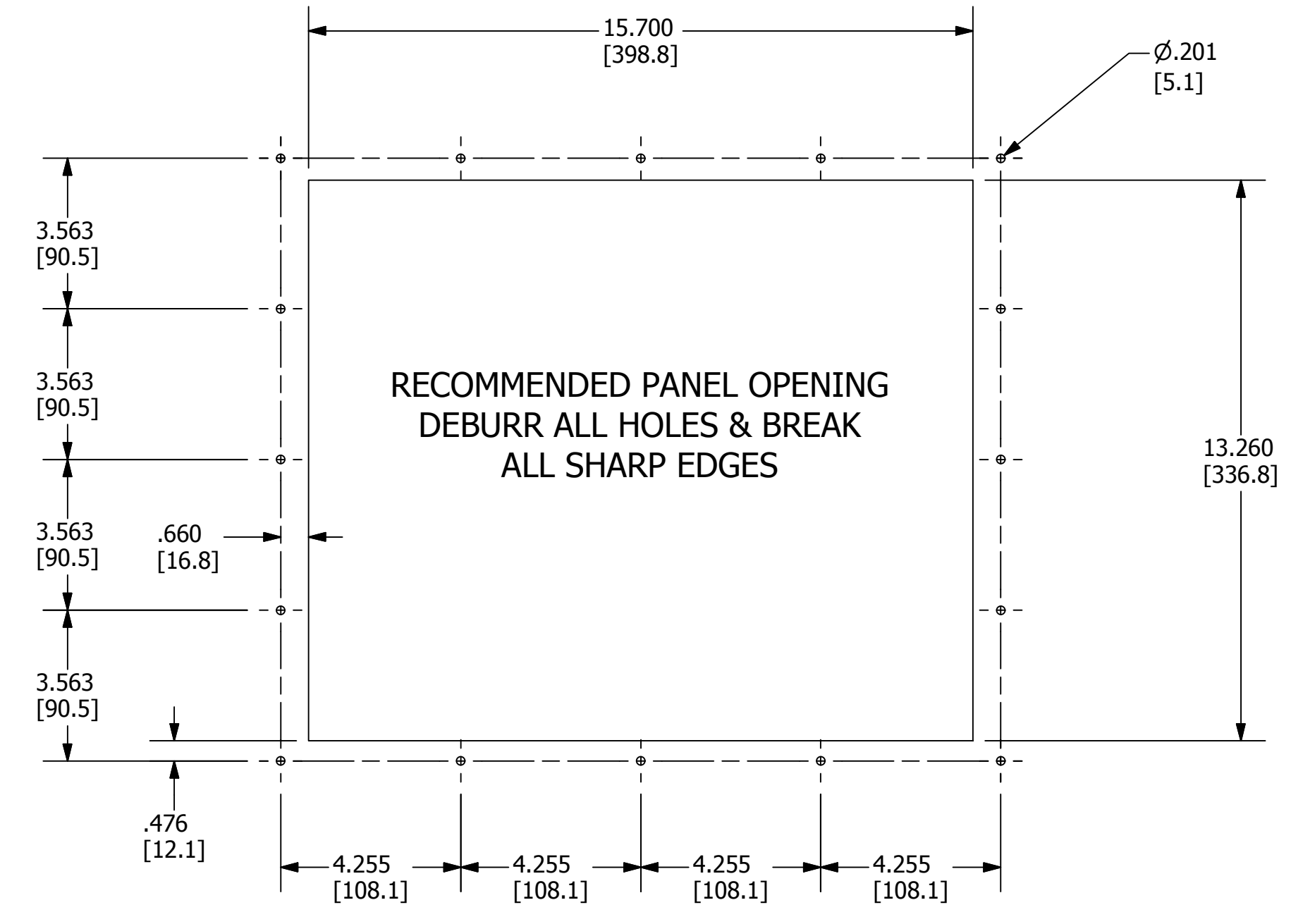
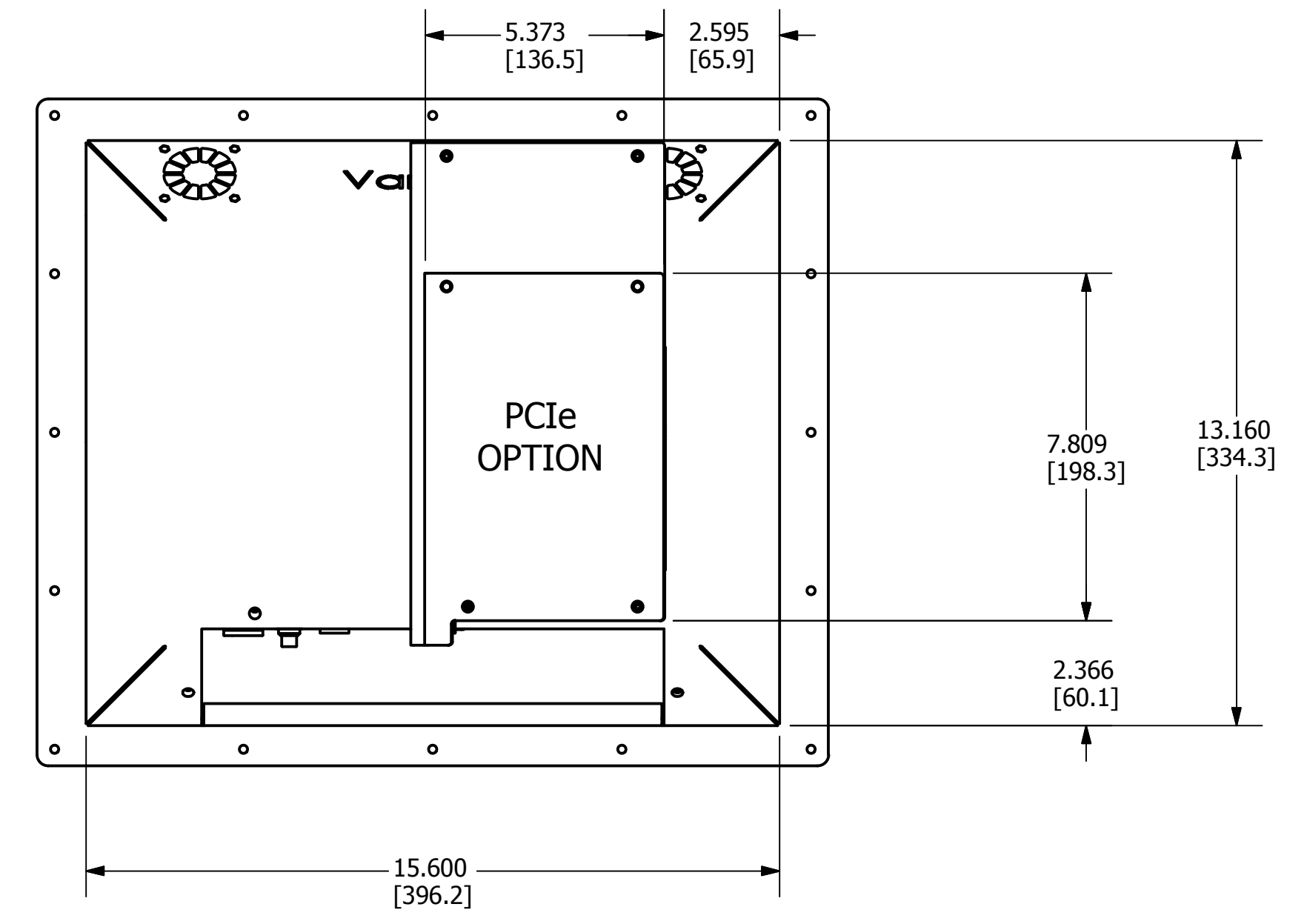
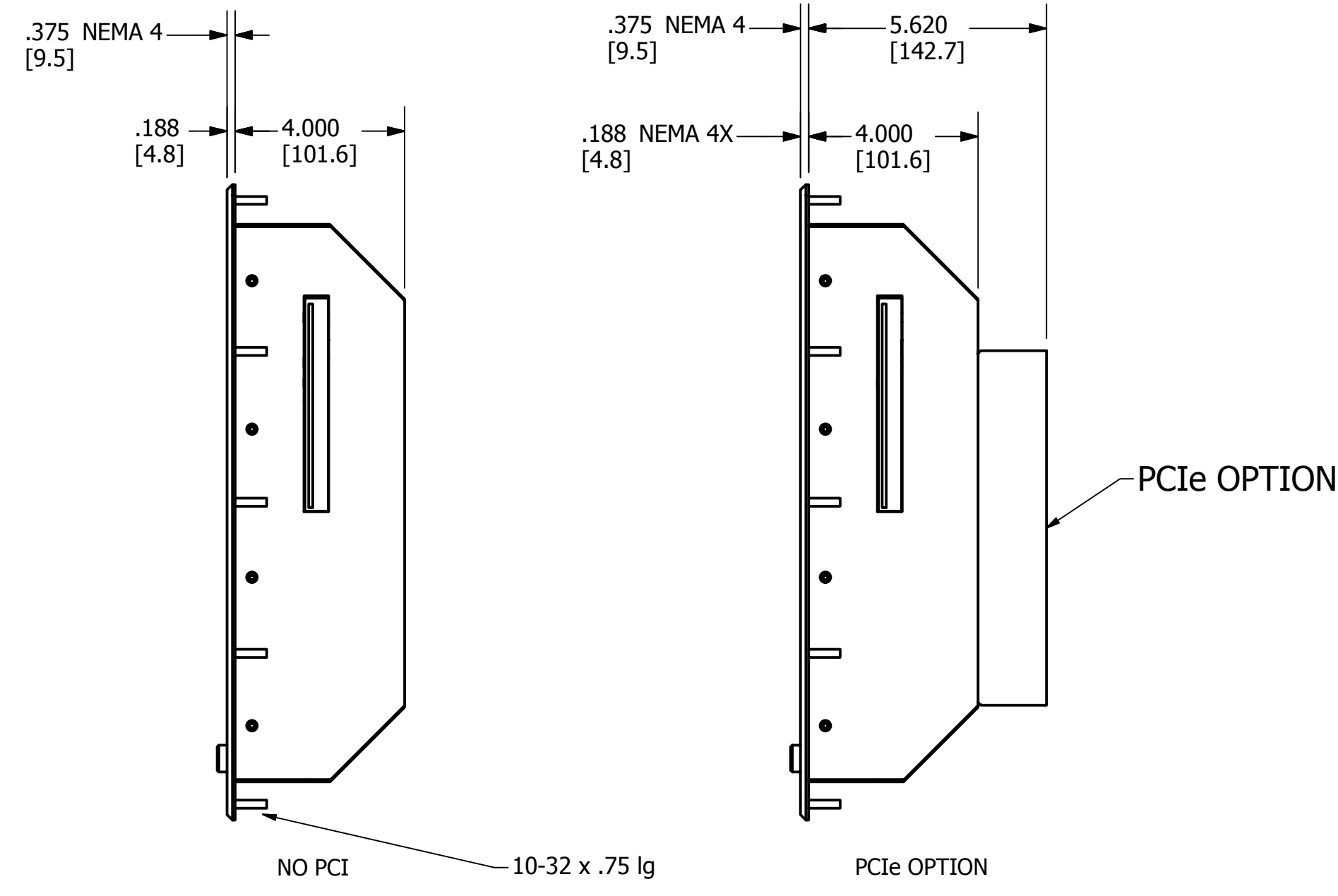
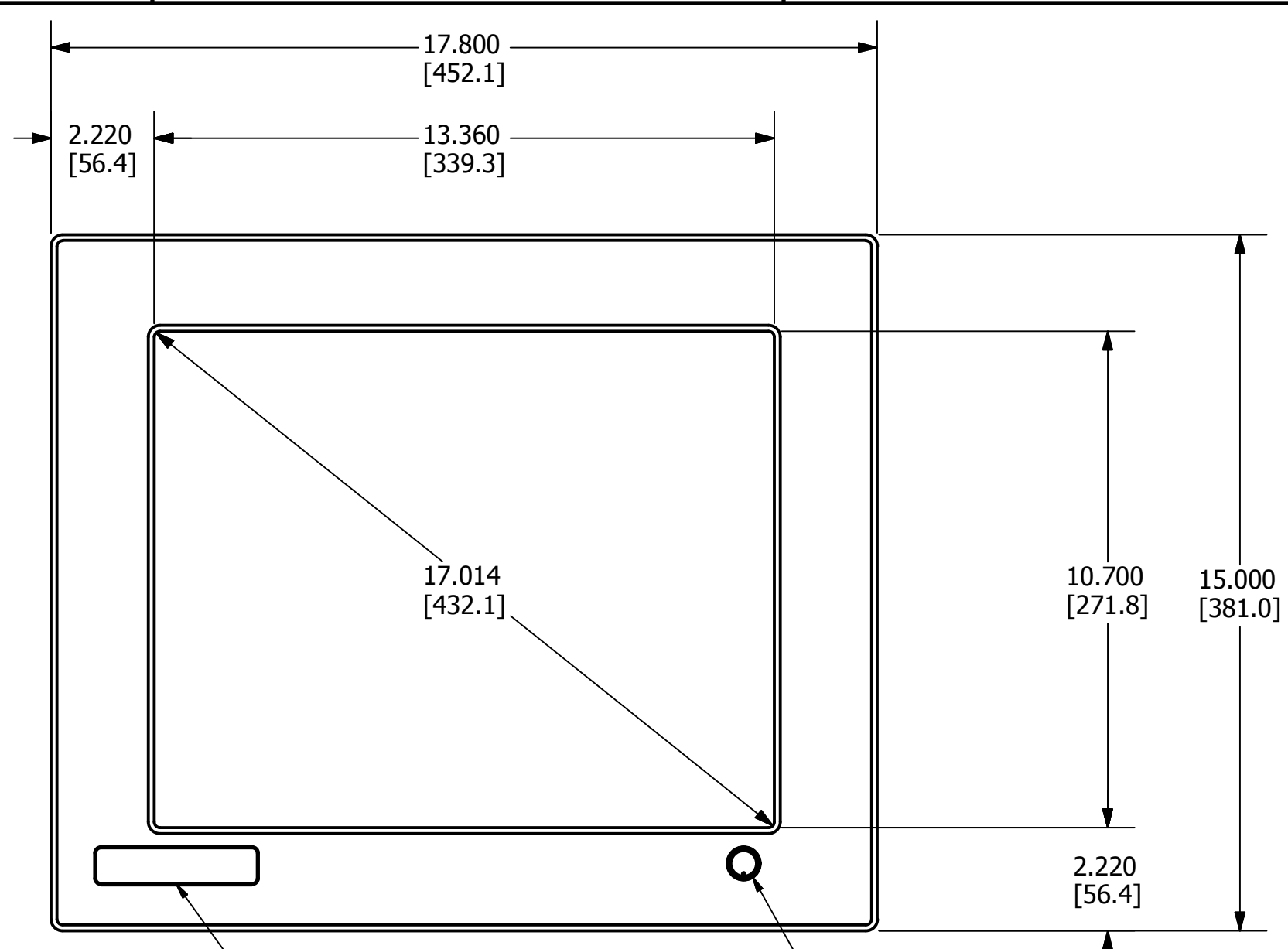


REVISION HISTORY			
REV	DESCRIPTION	APPROVED	DATE
1	INITIAL RELEASE	MLC	7/23/2012
2	UPDATED TO CURRENT DESIGN	JAC	11/26/2012



DRAWN	mcmbo	7/23/2012				
CHECKED						
QA			TITLE			
MFG			OUTLINE DRAWING, 17" PANEL PC w/ PCI OPTION			
APPROVED			SIZE	TOLERANCES	DWG NO	REV
USED ON	MATERIAL:		D	.XX = .01 .XXX = .005	482-0174-01	2
APPLICATION			FINISH:			