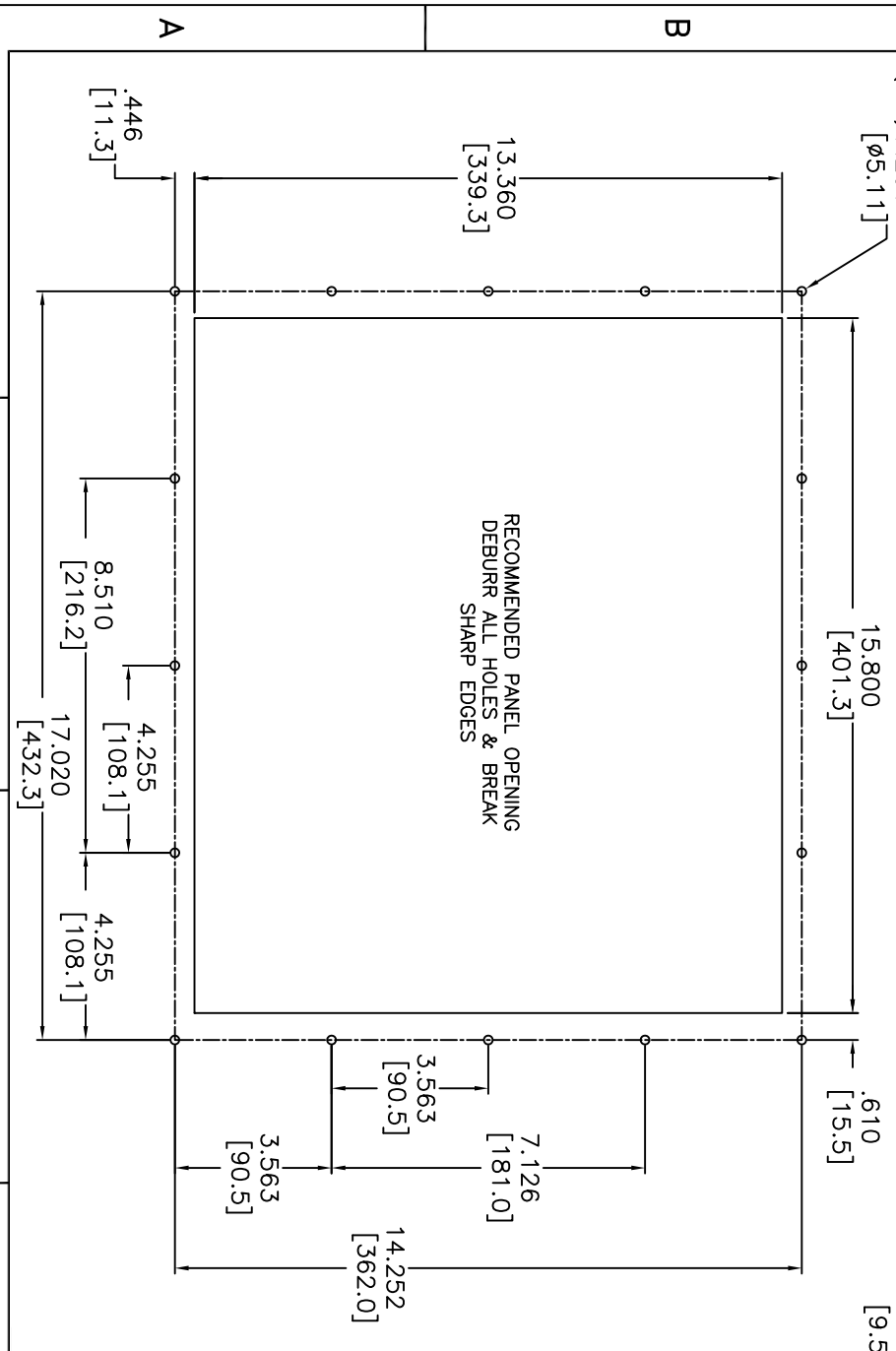
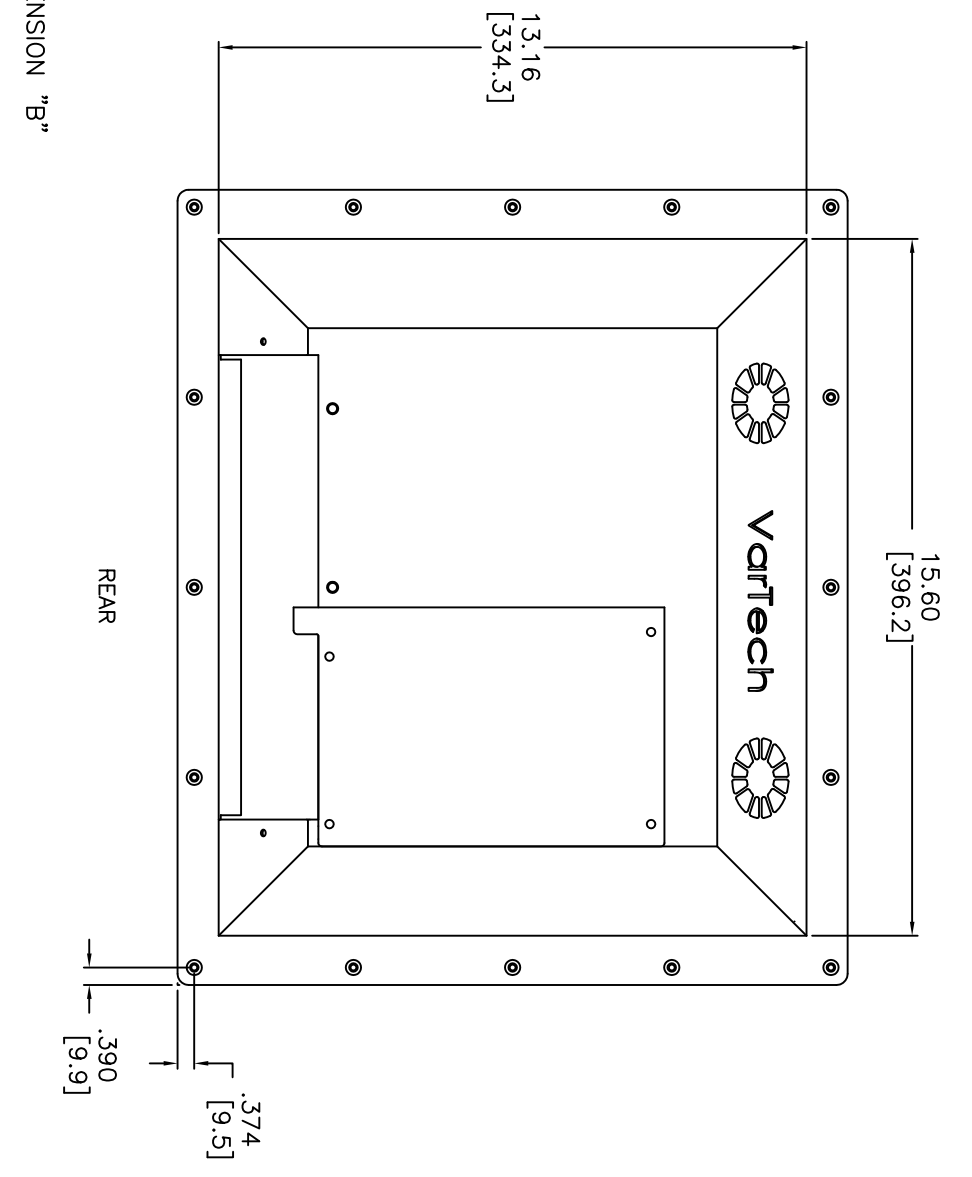
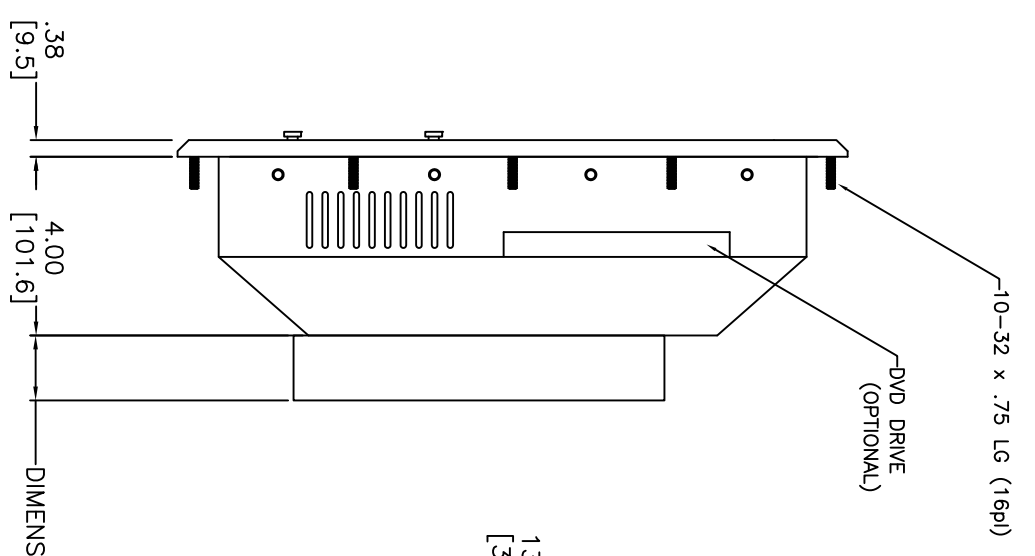
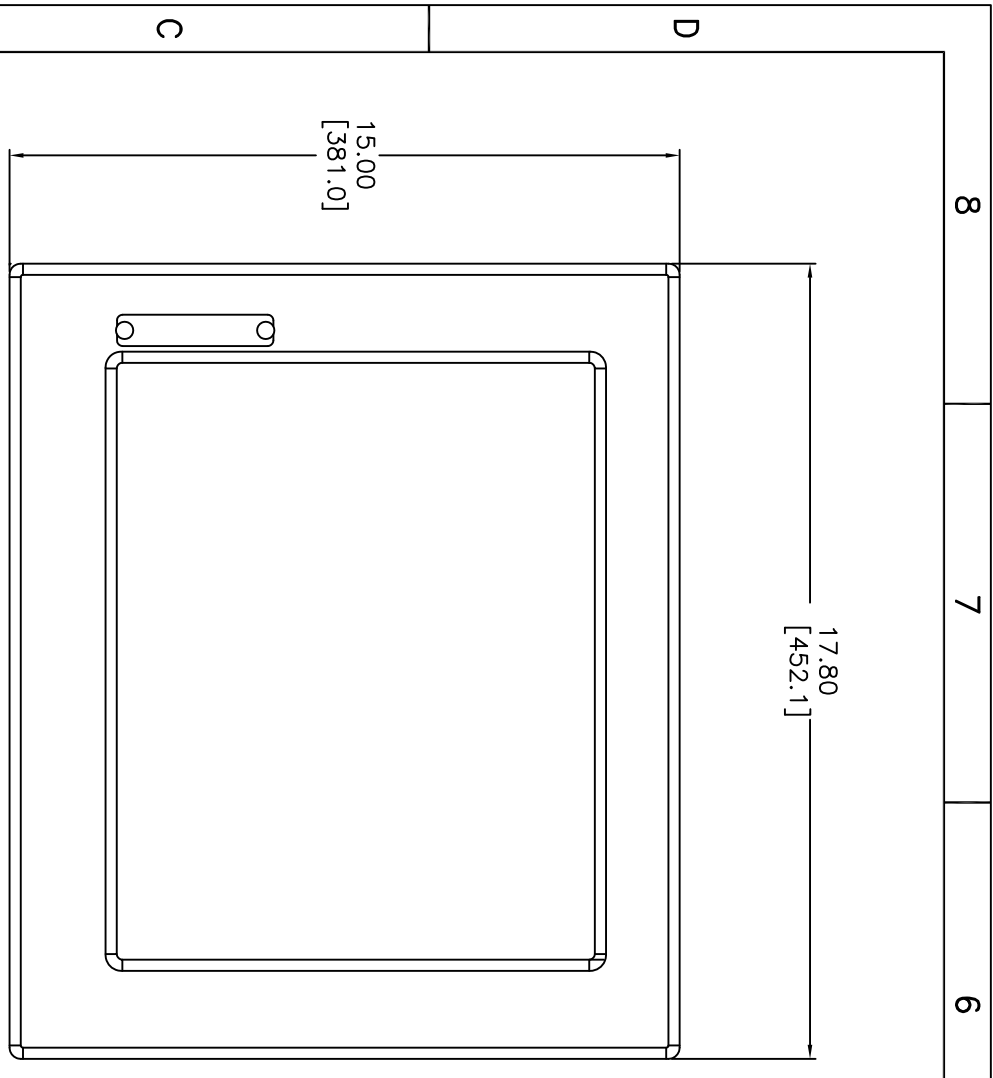
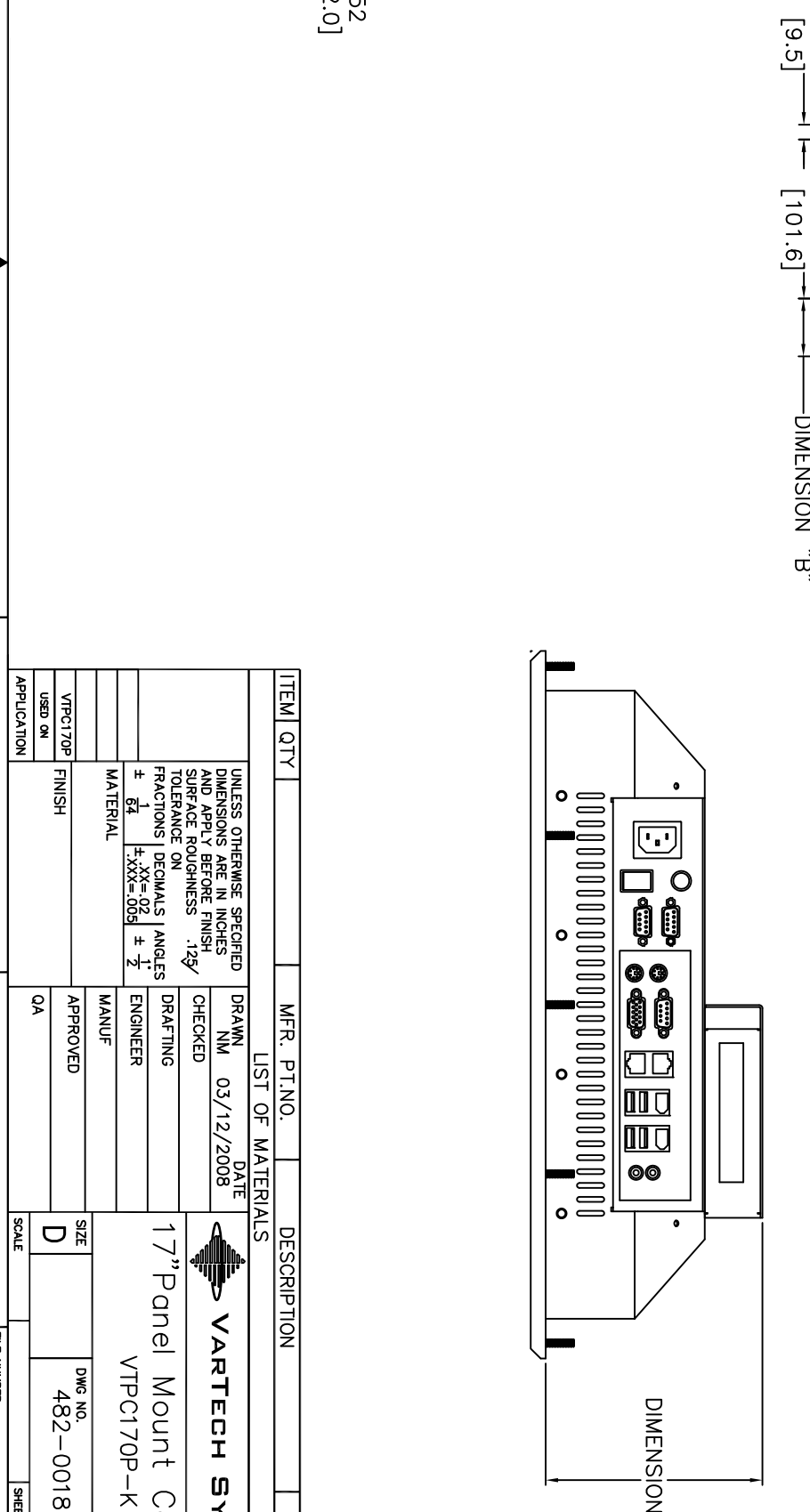


CHANGE HISTORY			APPROVAL
FILE INDEX	DESCRIPTION	INITIAL	DATE
01	REVISED TO SHOW 4" DEPTH & PORT PANEL	MLC	8/27/08
02	ADD TABULATION FOR PCI DIMENSIONS	MLC	1/5/09



RECOMMENDED PANEL OPENING
DEBURR ALL HOLES & BREAK
SHARP EDGES



ITEM	QTY	MFR. PT.NO.	DESCRIPTION	SYM/NOTE
LIST OF MATERIALS				
UNLESS OTHERWISE SPECIFIED DIMENSIONS ARE IN INCHES AND APPLY BEFORE FINISH SURFACE ROUGHNESS .125/ TOLERANCE ON FRACTIONS DECIMALS ANGLES				
± 1/64 ± .005 ± 1/2				
MATERIAL				
VTPC170P FINISH				
USED ON				
APPLICATION				

VARTECH SYSTEMS

17" Panel Mount Computer
VTPC170P-K

DATE	DESCRIPTION	SCALE	REV
03/12/2008	DRAWN NM	D	03
	CHECKED		
	DRAFTING ENGINEER		
	MANUF		
	APPROVED OA		
	SIZE	DWG NO.	
	D	482-0018-01	
	SCALE		