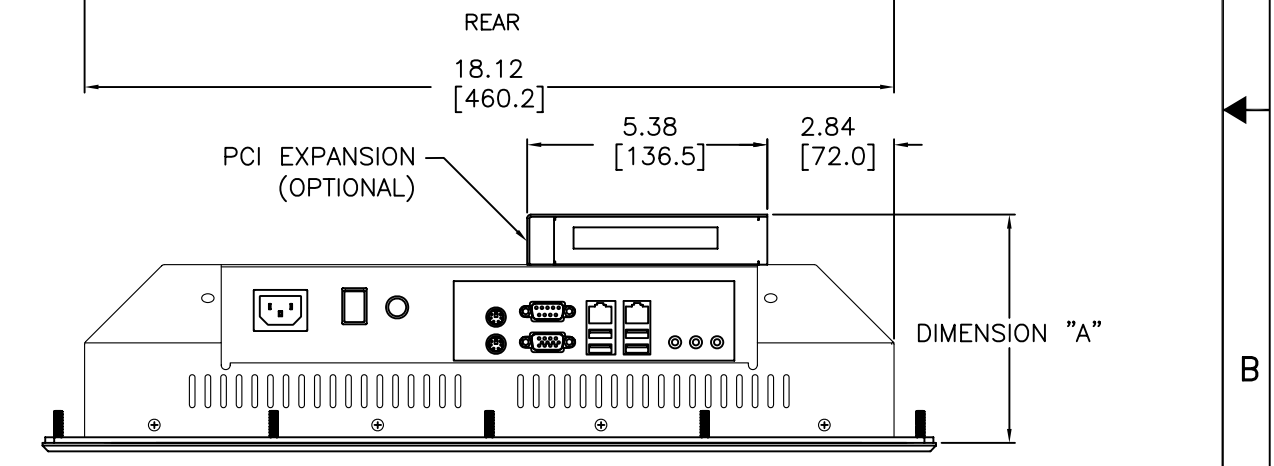
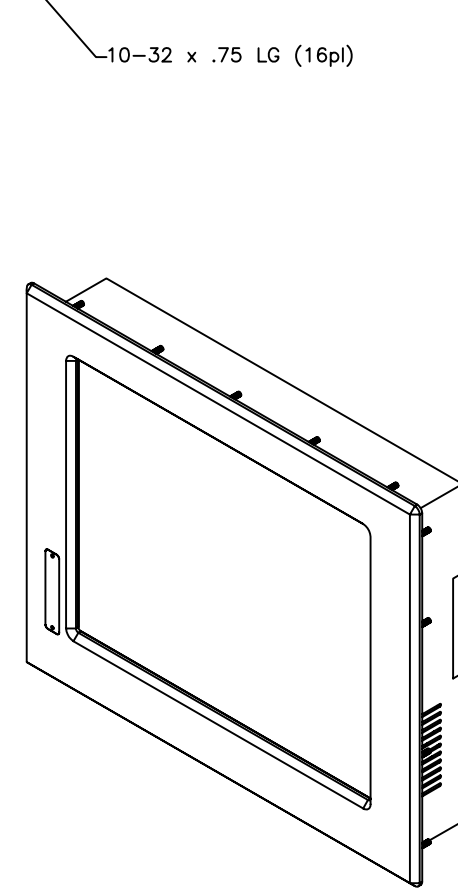
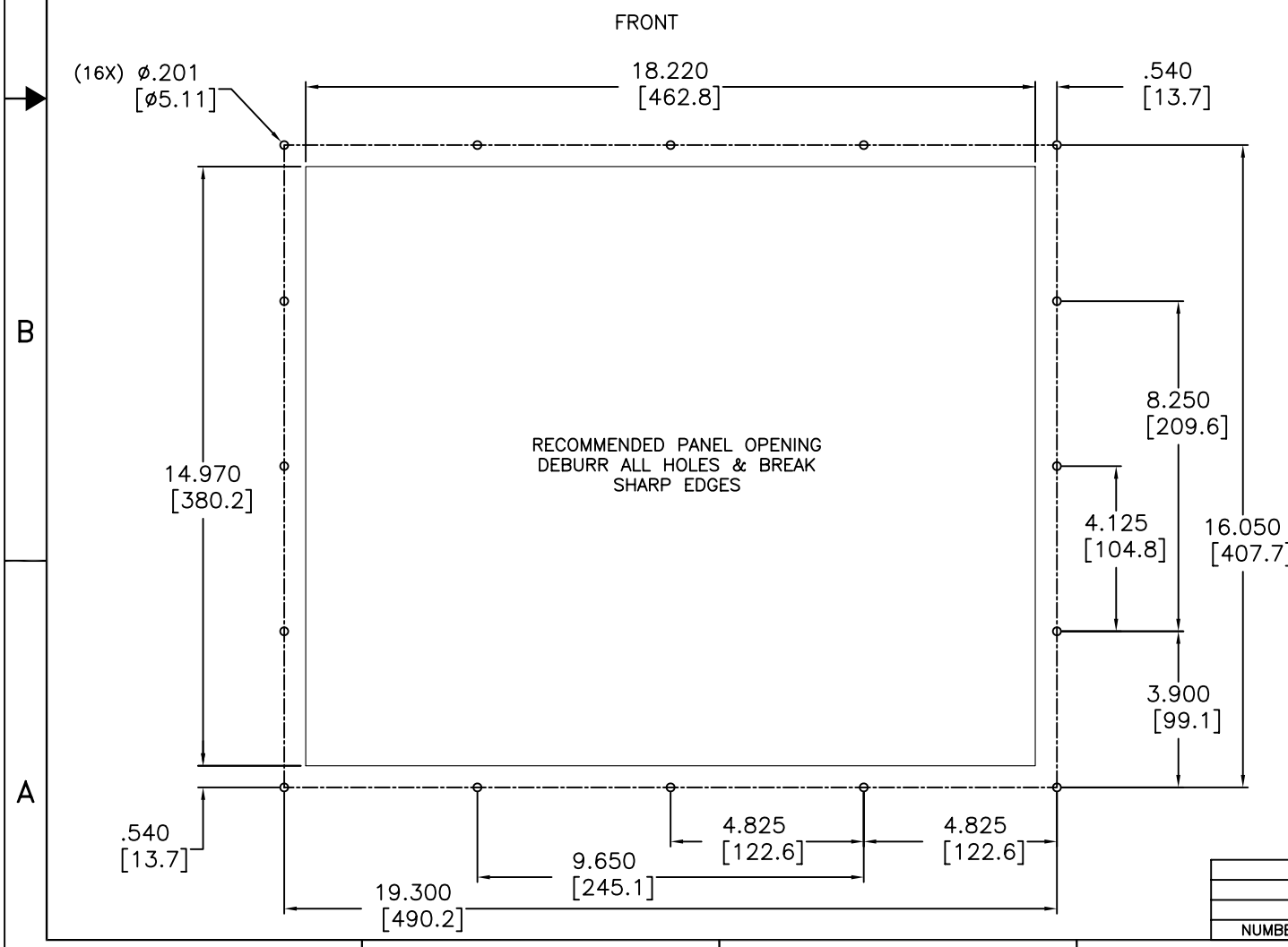
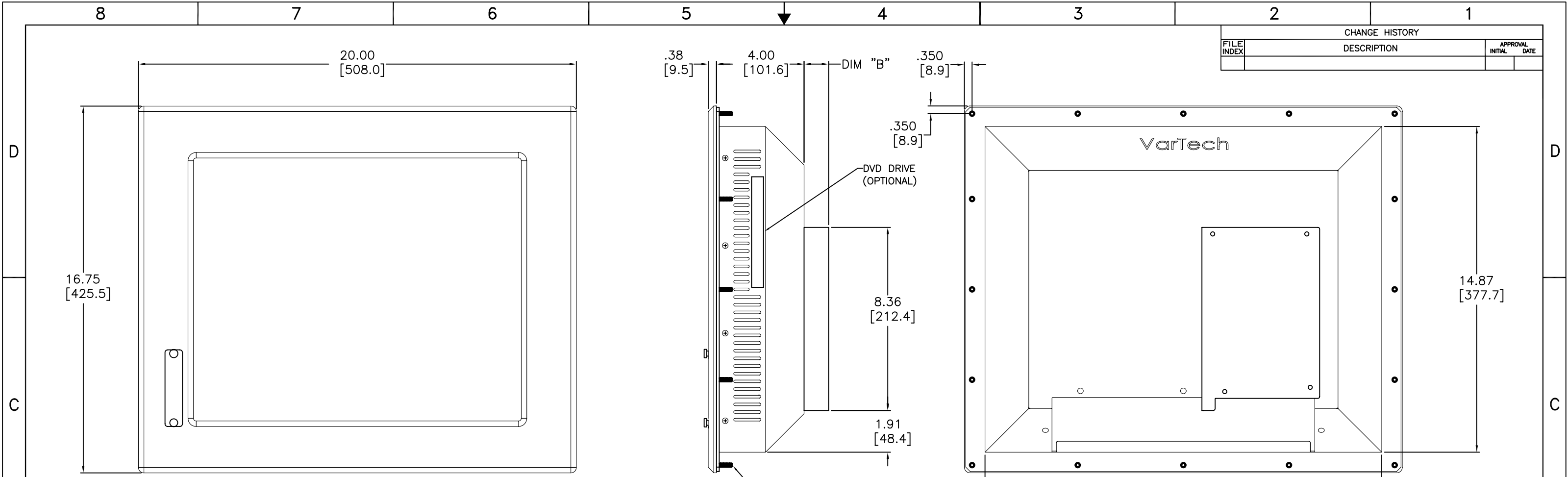


CHANGE HISTORY		
FILE INDEX	DESCRIPTION	APPROVAL INITIAL DATE



NUMBER OF PCI PORTS	DIMENSION "A"	DIMENSION "B"
3 PORTS	7.40" (187.8mm)	3.40" (86.2mm)
2 PORTS	6.61" (167.8mm)	2.61" (66.3mm)
1 PORT	5.12" (130.0mm)	1.12" (28.5mm)

ITEM	QTY	MFR. PT.NO.	DESCRIPTION	SYM/NOTE
LIST OF MATERIALS				
UNLESS OTHERWISE SPECIFIED DIMENSIONS ARE IN INCHES AND APPLY BEFORE FINISH SURFACE ROUGHNESS .125/ TOLERANCE ON FRACTIONS DECIMALS ANGLES		DRAWN NM 04/23/2008		
± 1/64 ±.XX=.02 ± 1/2		CHECKED		
MATERIAL		DRAFTING		
VTPC190P-F		ENGINEER		
USED ON		MANUF		
APPLICATION		APPROVED		
		QA		
		SCALE		
		SHEET 1 OF 1		

VARTECH SYSTEMS

19" Panel Mount Computer
VTPC190P (Fanless)

SIZE	DWG NO.	REV
D	482-0027-01	01