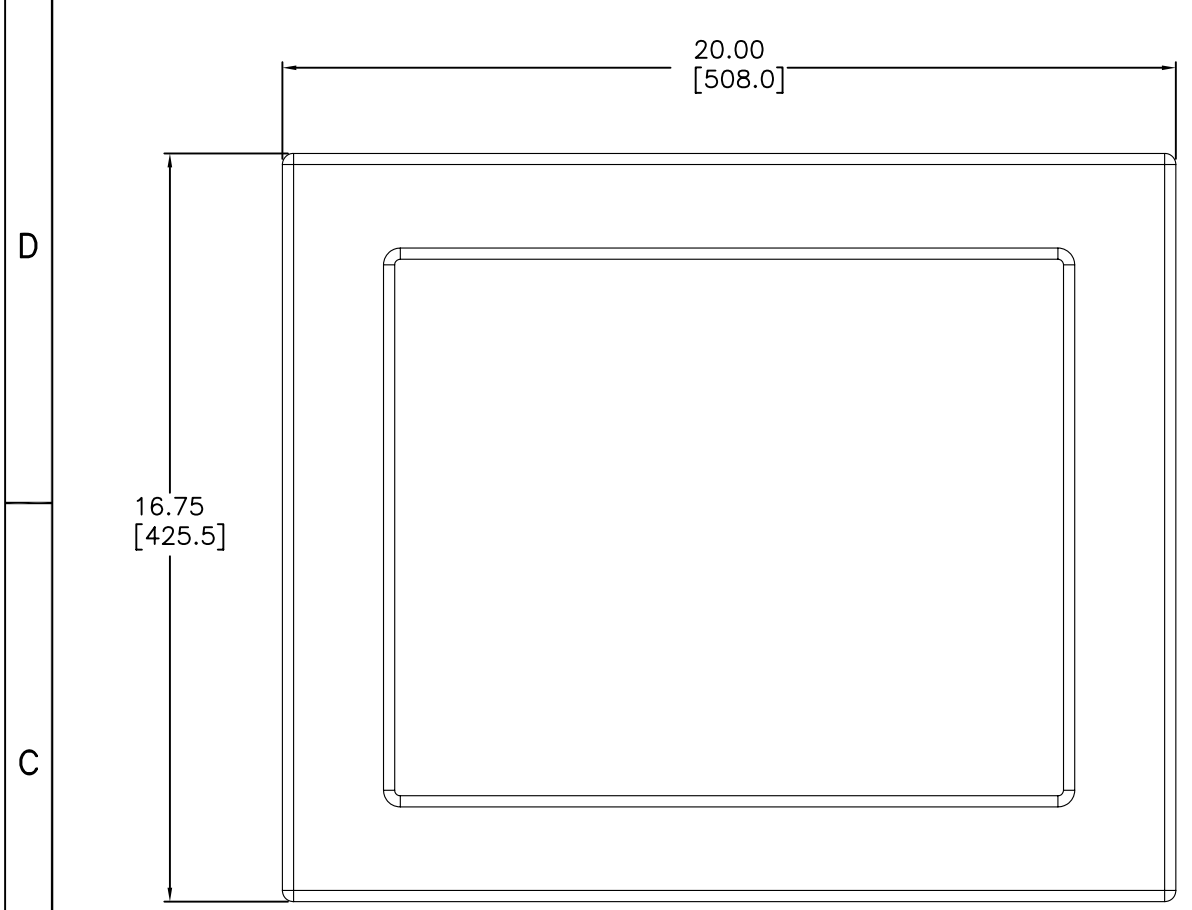
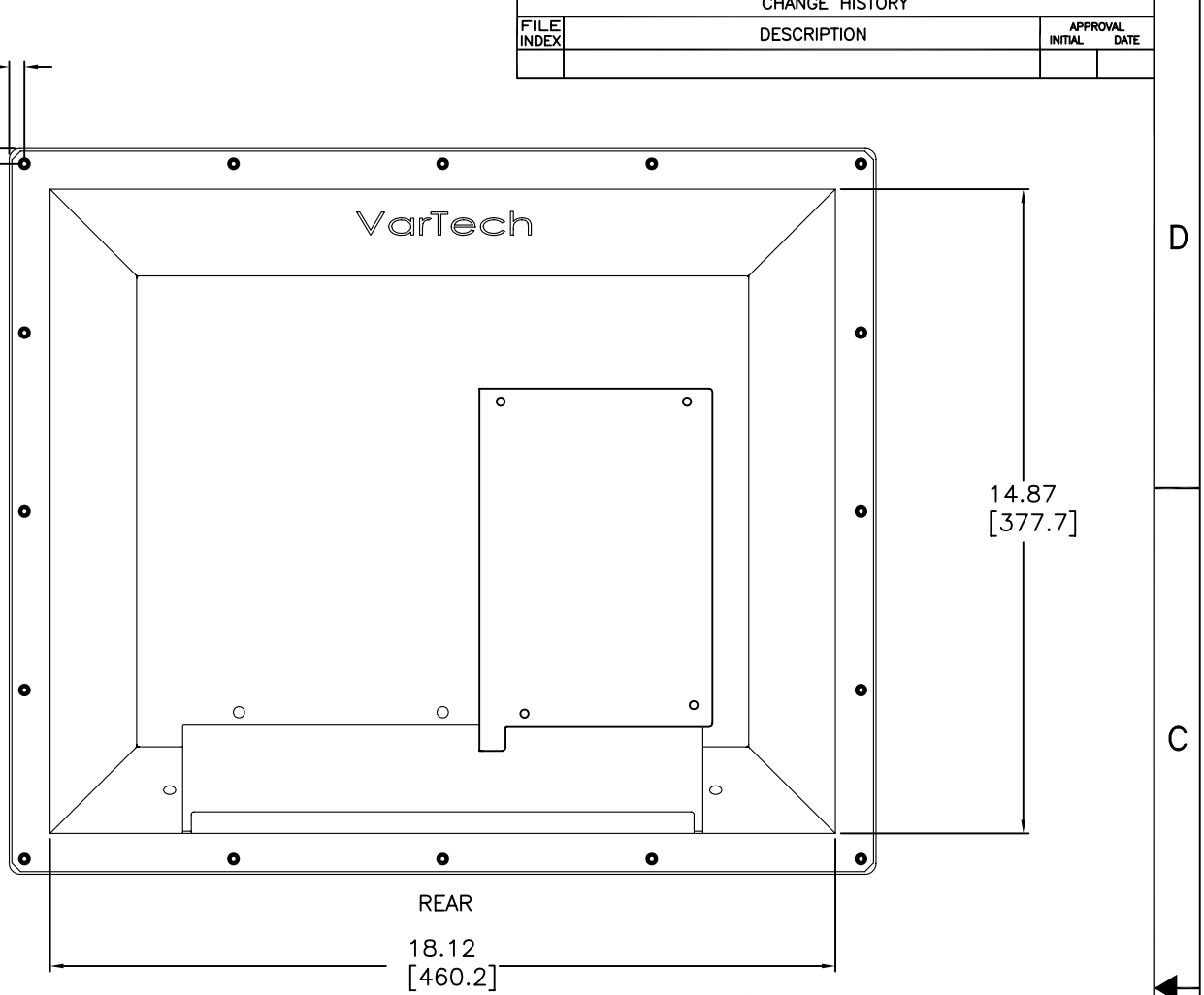
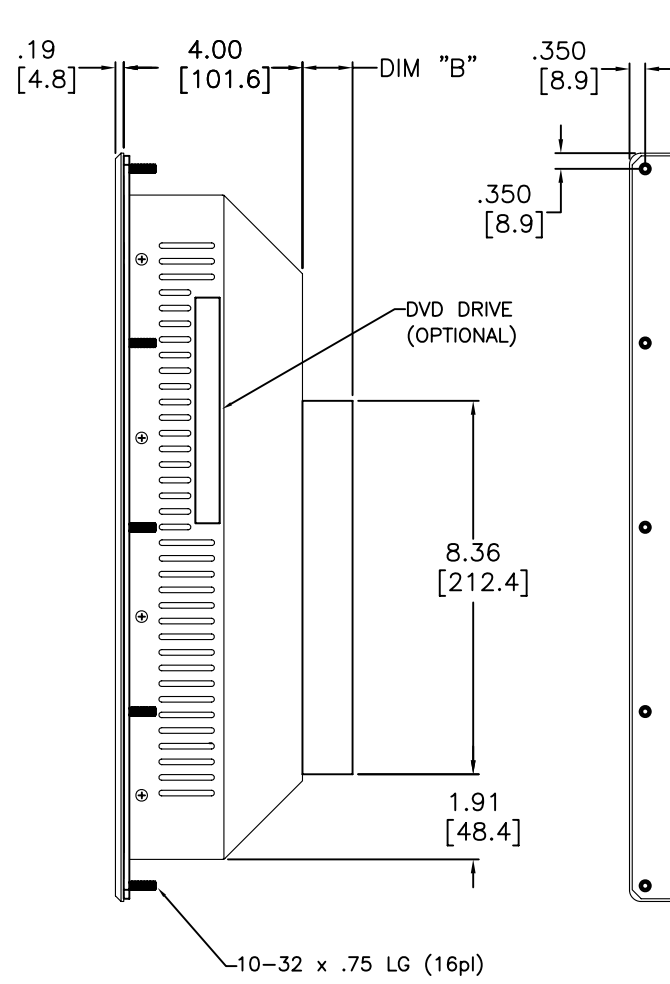


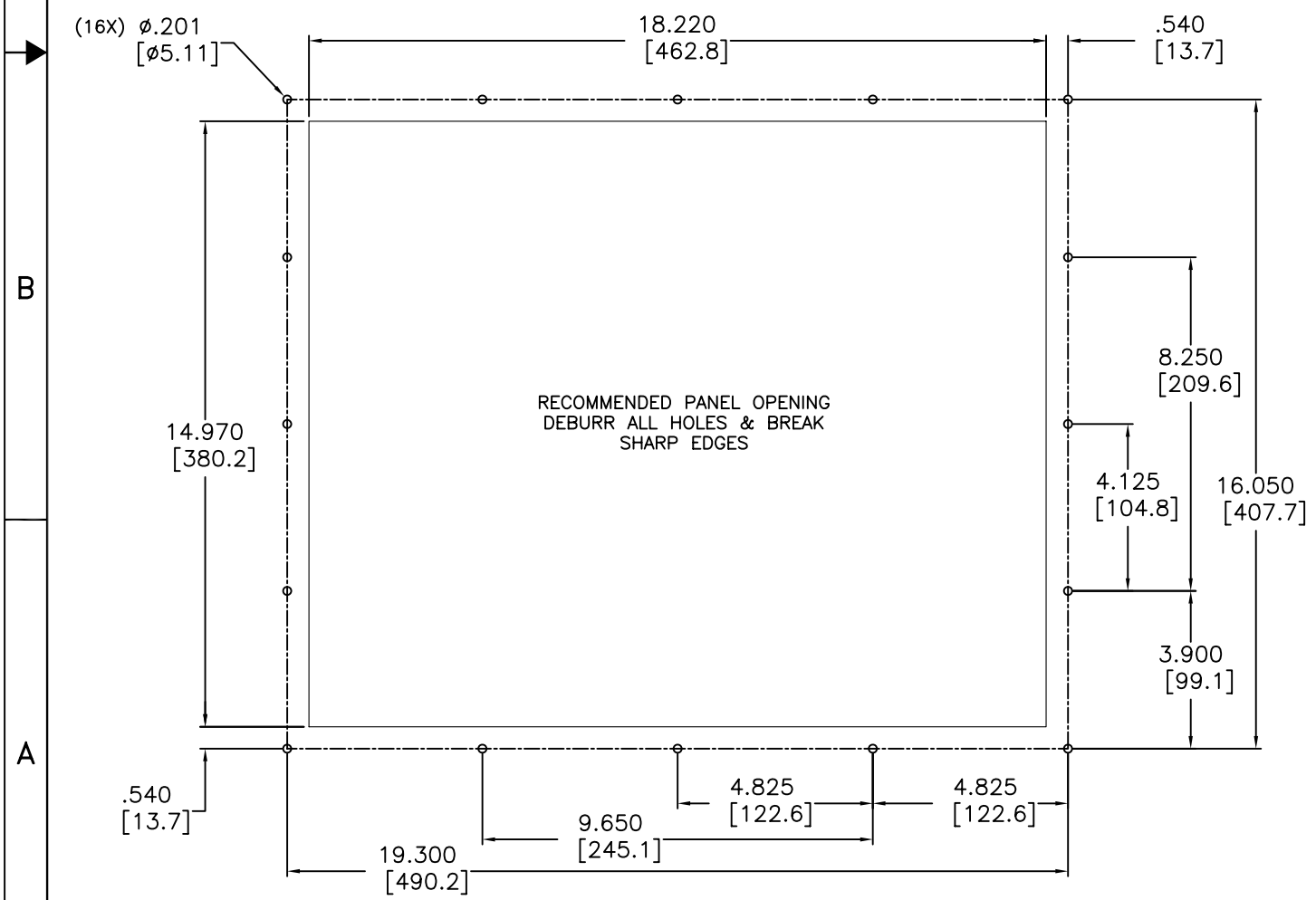
CHANGE HISTORY		
FILE INDEX	DESCRIPTION	APPROVAL INITIAL DATE



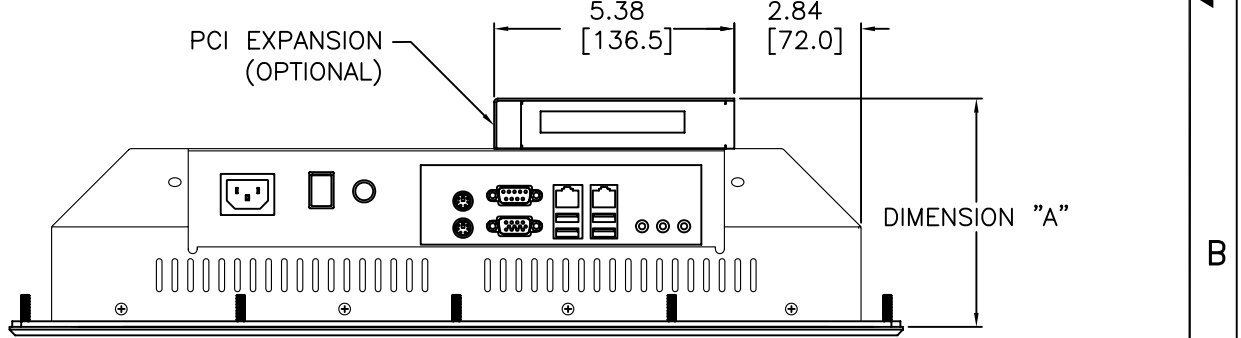
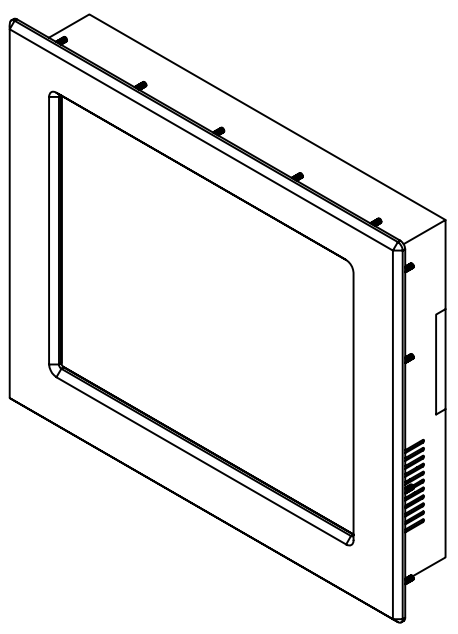
FRONT



REAR



RECOMMENDED PANEL OPENING  
DEBURR ALL HOLES & BREAK  
SHARP EDGES



ITEM	QTY	MFR. PT.NO.	DESCRIPTION	SYM/NOTE
LIST OF MATERIALS				
UNLESS OTHERWISE SPECIFIED DIMENSIONS ARE IN INCHES AND APPLY BEFORE FINISH SURFACE ROUGHNESS .125/ TOLERANCE ON FRACTIONS   DECIMALS   ANGLES		DRAWN NM 04/23/2008		 <b>VARTECH SYSTEMS</b>
± 1/64 ± .XX=.02 ± 1/2		CHECKED		
MATERIAL		DRAFTING		
FINISH		ENGINEER		
VTPC190P-F		MANUF		<b>19" Panel Mount Computer</b> <b>VTPC190PSS (Fanless)</b>
USED ON		APPROVED		
APPLICATION		QA		
SCALE		DWG NO. 482-0027-02		REV 01
SHEET 1 OF 1		FILE NUMBER: 482-0027-02-01		1