

8

7

6

5

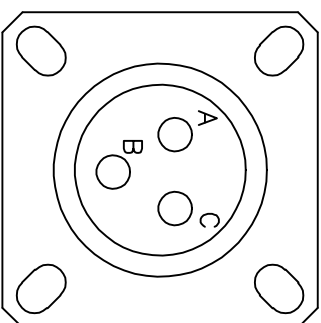
4

3

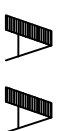
2

1

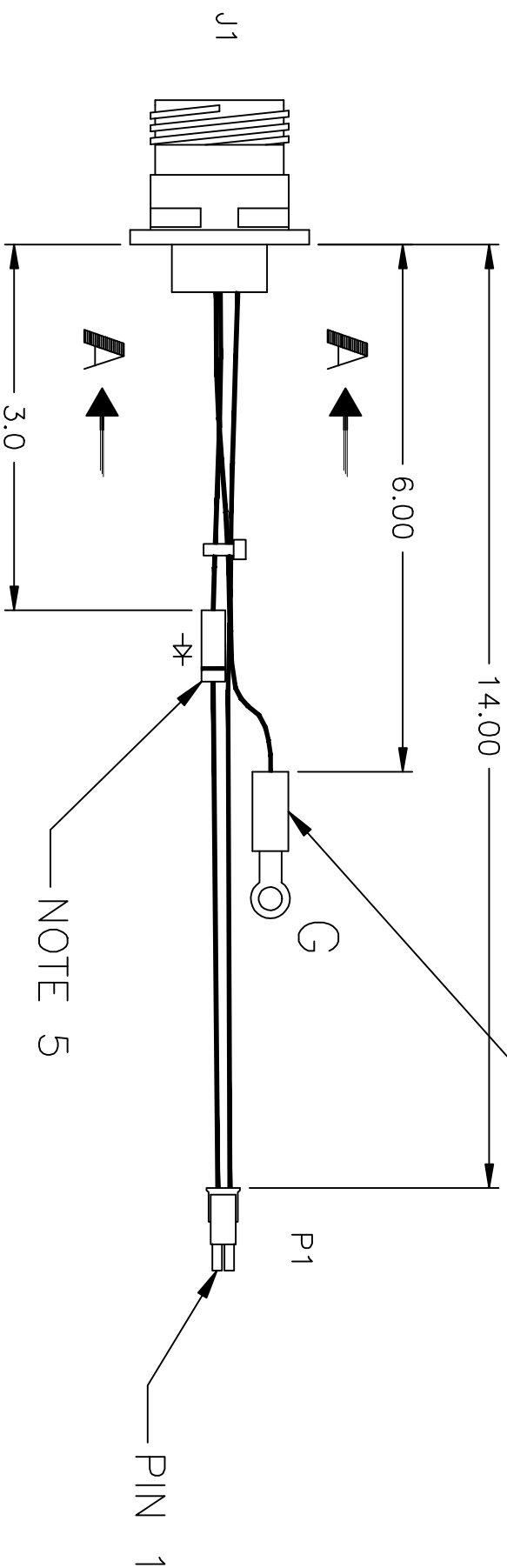
J1 PIN	COLOR	DESCRIPTION	P1 PIN
A	RED	+V	1
B	BLACK	RETURN	2
C	WHITE	GROUND	-



SCALE: 2:1



RING LUG #4
INSUL 22-18 Gd



NOTES:

- BAG OR TAG WITH CABLE PART NUMBER & LATEST REVISION.
- J1 CONNECTOR: 3 CONTACT, P/N D38999/20FA98PN, SUPPLIED WITH CRIMP PIN CONTACTS P/N M39029/58-363
- P1 CONNECTOR: 2 CONTACT, MOLEX P/N 43645-0200, WITH CRIMP CONTACTS P/N 43030-0008
- WIRE 20 AWG STRANDED, UL 1015
- ADD DIODE #NTE589 (OBSERVE POLARITY) TO RED WIRE THEN COVER WITH SHRINK SLEEVING.
- J1 MATING CONNECTOR D38999/26FA98SN AND M85049/38S9N CABLE CLAMP

CHANGE HISTORY		APPROVAL
FILE INDEX	DESCRIPTION	DATE
1	INITIAL RELEASE	
2	ADDED DIODE, NOTE 5	
3	J1 WAS D38999/20WA98PA ADDED NOTE 6	11/2/10 KH
4	J1 WAS D38999/20WA98PN	11/19/10 KH

UNLESS OTHERWISE SPECIFIED DIMENSIONS ARE IN INCHES AND APPLY AFTER FINISH		DRAWN N MATERA	DATE 9/24/09
TOLERANCE ON SURFACE ROUGHNESS ± .012		CHECKED	
TOLERANCE ON DECIMALS ± .005		ENGINEER	
TOLERANCE ON ANGLES ± 1/2		DRAFTING	
MATERIAL NOTED		MANUF	
FINISH		APPROVED	
SEE NOTES		QA	
APPLICATION		ASSEMBLY, POWER CABLE, 38999, 3 COND, INT	
VT150XB VT094XB VT104XB VT121XB USED ON		SIZE CAGE CODE DWG NO.	REV
		B OZE75 354-0249	4
SCALE 1:1		FILE NUMBER 3450249-R4	SHEET 1 OF 1

8

7

6

5

4

3

2

1