

51" Pedestal

ISO
9001:2008
REGISTERED



VARTECH
SYSTEMS INC.

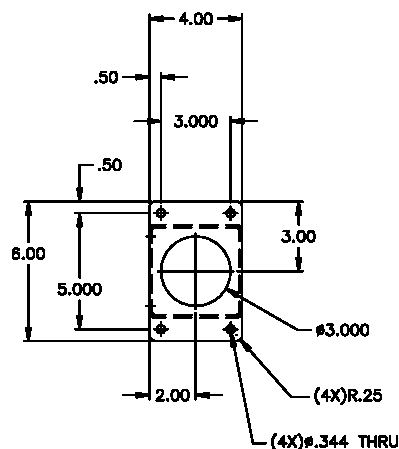
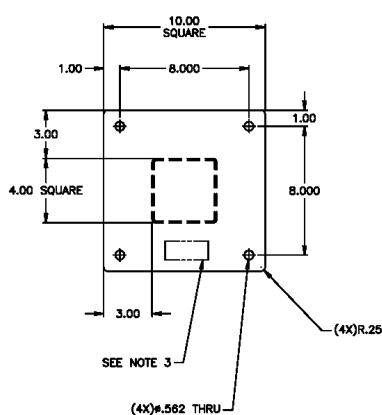
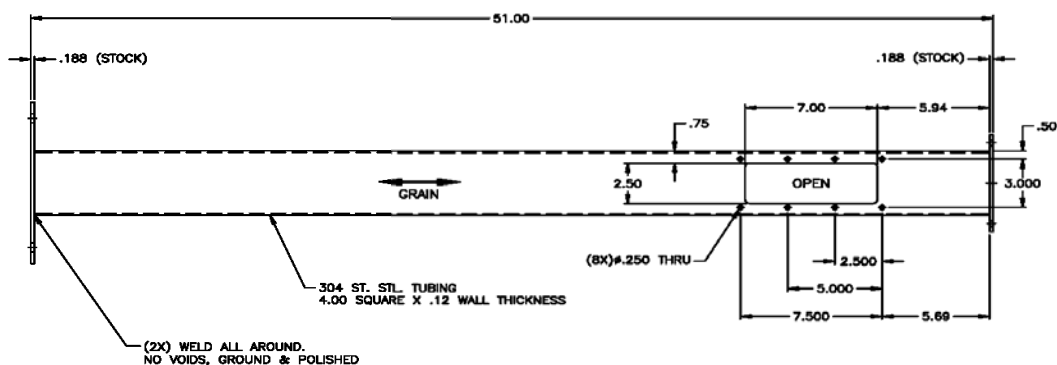
Solutions for Demanding Applications

51" Stainless Steel Pedestal for Computer or LCD

VarTech's 51" NEMA 4X industrial pedestal, fabricated from 304 stainless steel (optional 316), is an ideal solution for mounting any VarTech industrial workstation, fully-enclosed PC or monitor.

SPECIFICATIONS

- ◆ 304 Stainless Steel Construction (optional 316)
- ◆ 51.0" tall (1295.40mm)
- ◆ Grained and polished finish (no graining optional)
- ◆ Hollow center for wiring
- ◆ Compatible with most VarTech industrial workstations, fully-enclosed PCs or monitors
- ◆ Simple, smooth design makes your cleaning easy.
- ◆ VarTech pedestals post mount to your plant floor to ensure sturdiness and stability.
- ◆ Optional Fully-Sealed and Gasketed Integrated Connection Management Portal within Pedestal with IP68 Connectors and Cable Pass-through Channel available.



CONTACT

HEADQUARTERS

11529 Sun Belt Ct.
Baton Rouge, Louisiana 70809

Phone 800.223.8050

International

001.225.298.0300

Fax 225.297.2440

E-mail

sales@vartechsystems.com

Website

www.vartechsystems.com

www.vartechsystems.com