

Model VT20WM



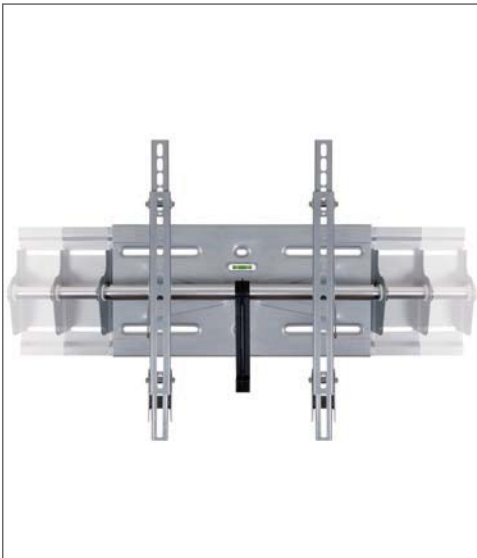
Model VT20WM accommodates flat panel displays with screen sizes from 27"-60" (up to 198 lbs.). This expandable mount tucks discretely out of view behind the display.

The wall mount allows the monitor to be tilted downwards up to -15 degrees for an improved viewing angle. An integrated level is included for fast and easy setup. The display may optionally be secured with a small padlock (not included).

Ideal for homes, conference rooms, stores, public areas, restaurants and more. Anywhere you need to mount a large-screen LCD or plasma monitor.

FEATURES

- ▲ Expandable — accommodates flat panel displays from 27" to 60"
- ▲ Adjust screen tilt by -15 degrees
- ▲ Low profile — mount concealed behind display
- ▲ Includes integrated level to ensure correct setup
- ▲ Security option — accommodates padlock to secure display
- ▲ Includes cable manager
- ▲ Supports up to 198 lbs.
- ▲ Mounts to drywall (studs) or concrete surfaces



Expandable arms and crossbar accommodates a wide range of screen sizes



Integrated level



Security option (padlock not included)