



Solutions for Demanding Applications

## 6.4" Panel Mount VGA NEMA 4 Flat Panel Display



This 6.4" flat panel display is a compact design to be placed in a variety of industrial and process control environments requiring a NEMA 4 panel mount that supports VGA resolution\*. The display is PC compatible with VGA video boards and satisfies a wide variety of industrial control, camera, and man-machine interface applications.

### FEATURES

- ◆ Bright Active Matrix TFT Display
- ◆ Anti-Reflective Protective Faceplate
- ◆ Optional Resistive Touch
- ◆ Optional Stainless Steel
- ◆ HD15(F), RCA (NTSC/PAL)

#### Marks of Conformity:

FCC47 CFR part 15, subpart B  
EMC: EN 55022:2006, EN  
55024:1998, CISPR 22:2005,  
CISPR 24:1997

Canada: ICES-003

Australia/New Zealand: AS/  
N.ZS CISPR 22

CE

RoHS

WEEE



### SPECIFICATIONS

#### Display Size

6.4 Inch

#### Panel Type

TFT Active

#### Resolution Capabilities

VGA

#### Pixel Format

640 x 480\*

#### Pixel Pitch

.203mm (w) x .203mm (h)

#### Active Display Area

5.102" (w) x 3.836" (h)

129.6mm(w) x 97.44mm(h)

#### Viewing Angle

Left / Right: 50°/50°

Up / Down: 15° /35°

#### Contrast Ratio

400:1 Typical

#### Brightness

400 Nits Typical

#### Backlight

20,000 Hours Typical

#### Colors Supported

262,144

#### Video Input Connector

HD15(F), RCA (NTSC/PAL), S-video

#### Video Input

0.7Vp-p / 75 ohm, NTSC/PAL

#### Sync

TTL Separate H&V

Combined, SOG

#### Power Source

12VDC @ 1.00A

#### Optional:

90-264VAC Universal

24VDC @ 0.50A

#### Power Consumption

15 Watts

2 Watts Sleep Mode

#### Temperature

Operating: 0 to 50°C

Storage: -20 to 60°C

#### Humidity

Operating: 10 to 95% NC

Storage: 5 to 95% NC

#### Altitude

Operating: up to 10,000 ft

Storage: up to 40,000 ft

#### Bezel Finish

##### NEMA 4

Black Powder Coat

Cold Rolled Steel

##### Optional NEMA 4X:

Stainless Steel

#### Touchscreen

Resistive or Capacitive

#### Touch Interface

Serial or USB

### CONTACT

#### HEADQUARTERS

11529 Sun Belt Ct.  
Baton Rouge, Louisiana 70809

**Phone** 800.223.8050

#### International

001.225.298.0300

**Fax** 225.297.2440

#### E-mail

sales@vartechsystems.com

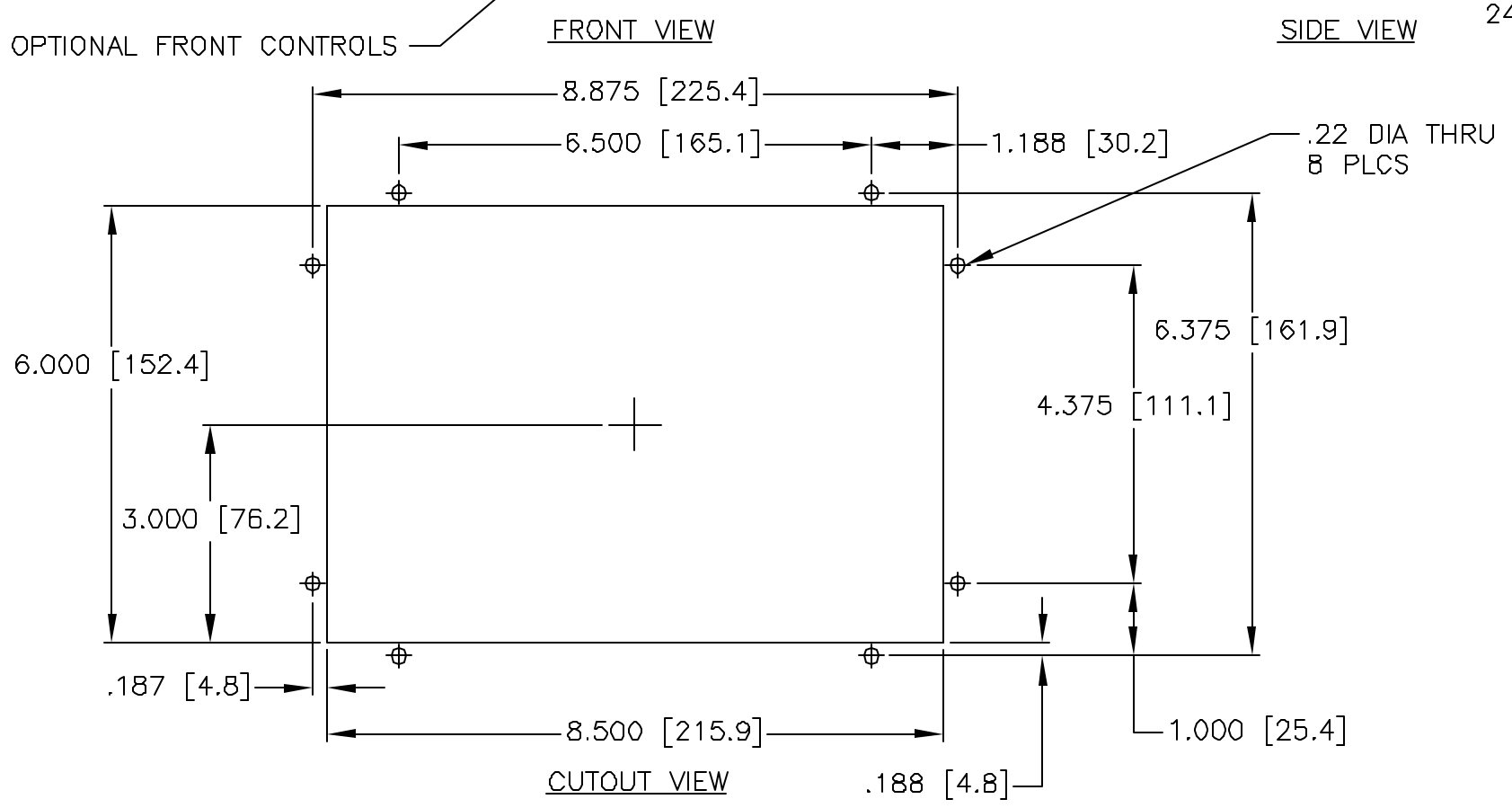
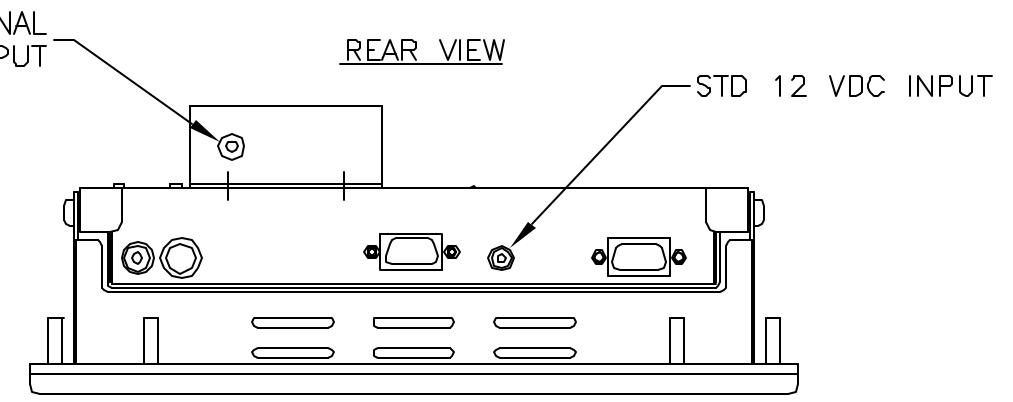
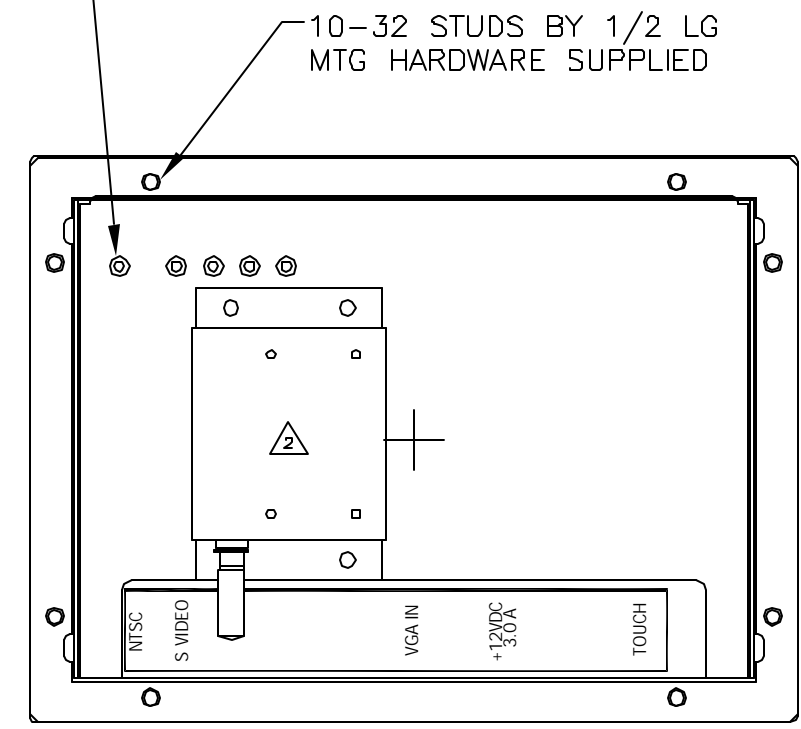
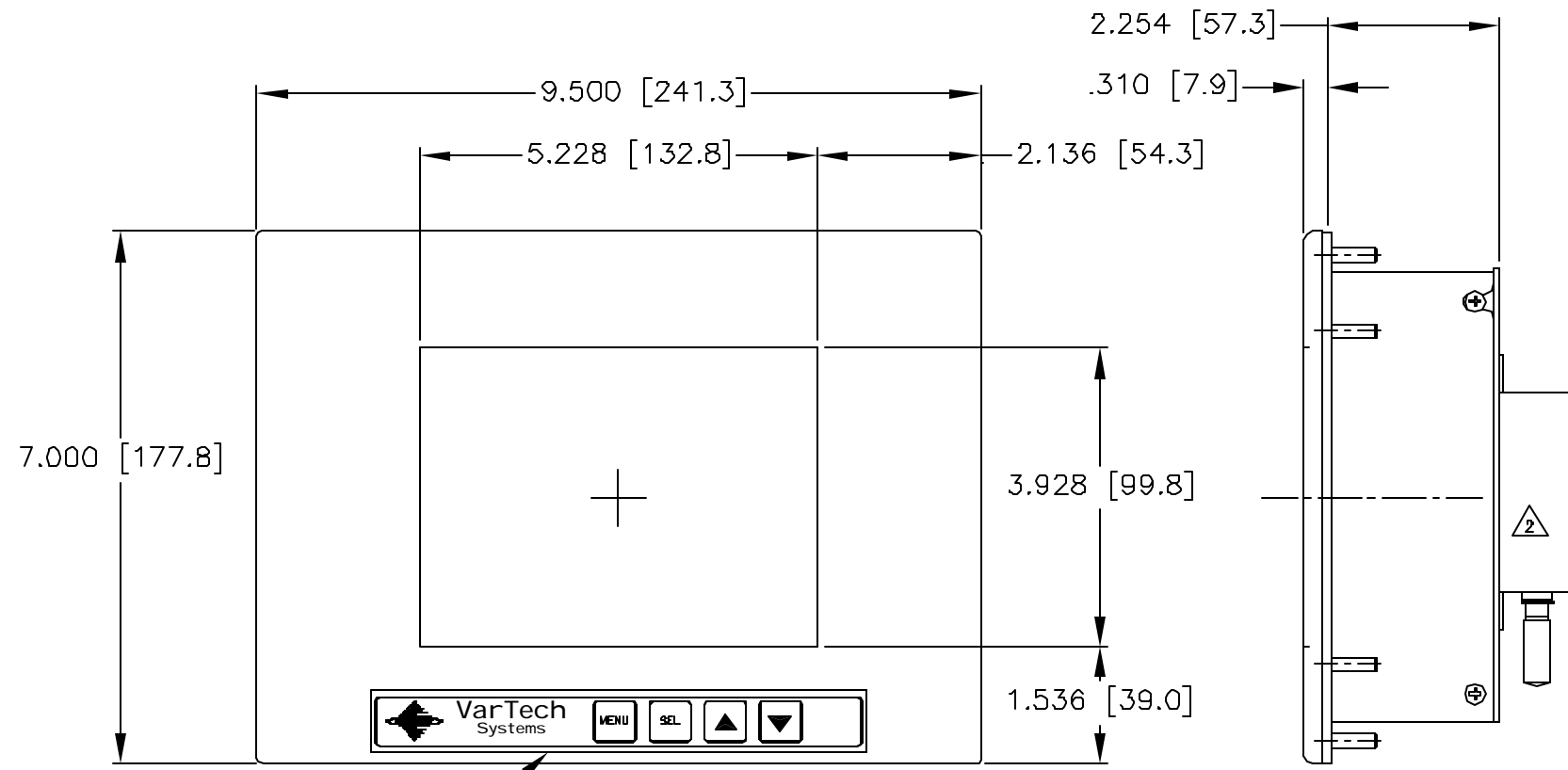
#### Website

www.vartechsystems.com

### OPTIONS

- Touch Screen: Resistive or Capacitive
- 90-264VAC Universal
- 24VDC @ 0.50A Power Supply
- Stainless Steel NEMA 4X Front Panel
- Optical Bonding for added Shock & Vibration protection and/or reduced solar reflectivity
- Automatic Dimming Sensor
- Manual Full-Range Dimming

CHANGE HISTORY			
FILE INDEX	DESCRIPTION	APPROVAL INITIAL	DATE
1	PRELIMINARY RELEASE		
2	REVISED PER $\triangle 2$ ADDED 24 VDC INPUT		



ITEM	QTY	MFR. PT.NO.	DESCRIPTION	SYM/NOTE
LIST OF MATERIALS				
UNLESS OTHERWISE SPECIFIED DIMENSIONS ARE IN INCHES AND APPLY BEFORE FINISH SURFACE ROUGHNESS .125/ TOLERANCE ON		DRAWN RKH	DATE 30JUN03	<p><b>VARTECH SYSTEMS</b></p> <p>OUTLINE DRAWING</p> <p>VT064P</p>
FRACTIONS 1/8		CHECKED		
DECIMALS ±.XX-.02		DRAFTING		
ANGLES ± 1/2		ENGINEER		
MATERIAL		MANUF		SIZE D
FINISH		APPROVED		DWG NO. 601-0068
USED ON		QA		REV 2
APPLICATION				SCALE 1:1
				SHEET 1 OF 1