



21.3" UXGA NEMA 4 Panel Mount LCD Monitor



This 21.3" flat panel display is designed to be placed in a variety of Industrial and Process Control environments requiring a large NEMA 4 panel mount that supports resolutions from VGA to 1600 x 1200 resolutions* with HD15 and SOG capabilities. The display is auto sync compatible with most PC's video standards, and is adequate for a wide variety of industrial control and man-machine interface applications.

FEATURES

- ◆ Bright Active Matrix TFT Display
- ◆ 1600 x 1200 Max. Resolution
- ◆ Picture in Picture
- ◆ Anti-Reflective Protective Faceplate
- ◆ Optional Resistive or Capacitive Touch Screen

SPECIFICATIONS

Display Size

21.3 Inch

Panel Type

TFT Active

Resolution Capabilities

VGA to UXGA*

Pixel Format

640x480, 800x600, 1024x768,
1280 x 1024, 1600 x 1200*

Pixel Pitch

.270 mm (w) x .270mm (h)

Viewing Angle

Left / Right: 89°/89°
Up / Down: 89°/89°

Active Display Area

17.008" (w) x 12.756" (h)
432.00mm x 324.00mm

Picture in Picture

Small Window: 3.6" (w) x 2.9" (h)
Med. Window: 5.0 (w)" x 4.9" (h)
Large Window: 6.5 "(w)" x 5.0" (h)

Contrast Ratio

800:1

Brightness

250 Nits Typical

Backlight

50,000 hrs. typical

Colors Displayed

16.8M

Video Input

0.7v p-p, /75 ohm digital

Sync

TTL Separate H&V,
Combined SOG

Input Connectors

HD15(F), DVI-D
RCA, (NTSC/PAL),
5 Pin Mini Din (S-Video)

Optional:

HD15 to 5BNC Adapter

Power Source

90-264VAC Universal

Power Consumption

50 Watts @ 115VAC

8 watts sleep mode

Temperature

Operating: 0° to 50°C

Storage: -20° to 60°C

Optional:

Operating: -20°C or -40°C

Humidity

Operating: 10 to 95%NC

Storage: 10 to 95%NC

Altitude

Operating: up to 10,000 ft

Storage: up to 40,000 ft

Outside Dimension

21.500" (w) x 18.294" (h)

546.1mm x 464.7mm

Cut Out Dimension

20.360" (w) x 17.154" (h)

517.1mm x 435.7mm

Weight

Unit: 33.4 lb(35.2 lb with touch)

Shipping: 41.2 lb(43 lb with touch)

Depth Behind Panel

3.498" / 88.8mm

Stud Size & Screw Length

10-32 x 1/2"

Chassis Construction

16 Gauge Stainless Steel

Bezel Finish

Black Powder Coated

Cold Rolled Steel

Optional:

NEMA 4X Stainless Steel

Touchscreen

Optional:

Resistive or Capacitive

Touch Interface

Serial

Optional:

USB

Marks of Conformity:

FCC47 CFR part 15, subpart B
EMC: EN 55022:2006, EN
55024:1998, CISPR 22:2005,
CISPR 24:1997
Canada: ICES-003
Australia/New Zealand: AS/
NZS CISPR 22

CE
RoHS
WEEE



*Supports all VESA standard video formats

CONTACT

HEADQUARTERS

11529 Sun Belt Ct.
Baton Rouge, Louisiana 70809

Phone 800.223.8050

International

001.225.298.0300

Fax 225.297.2440

E-mail

sales@vartechsystems.com

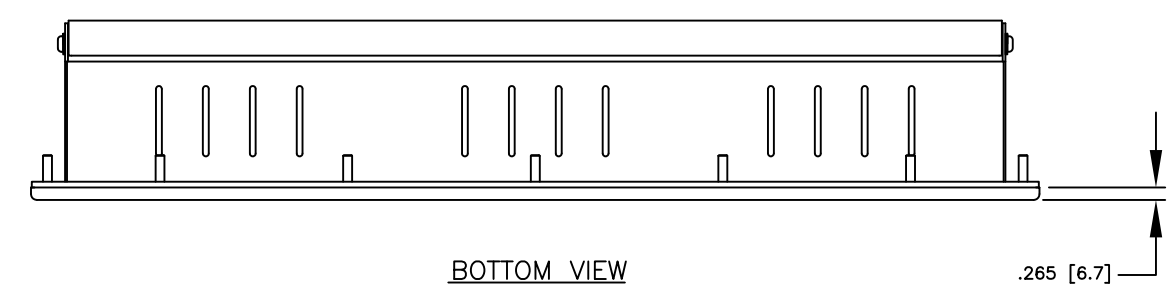
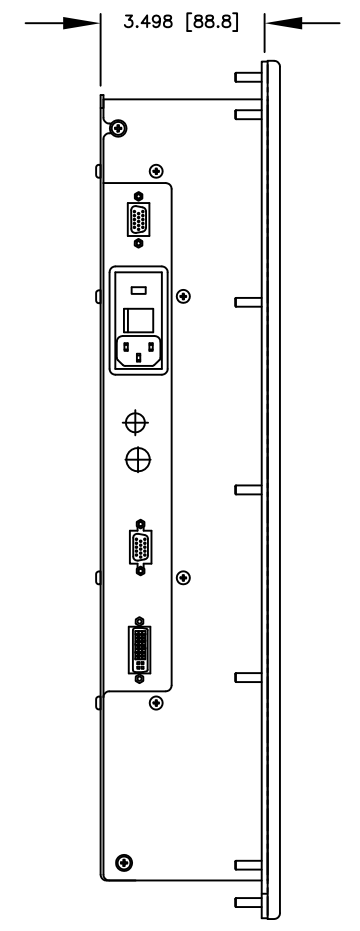
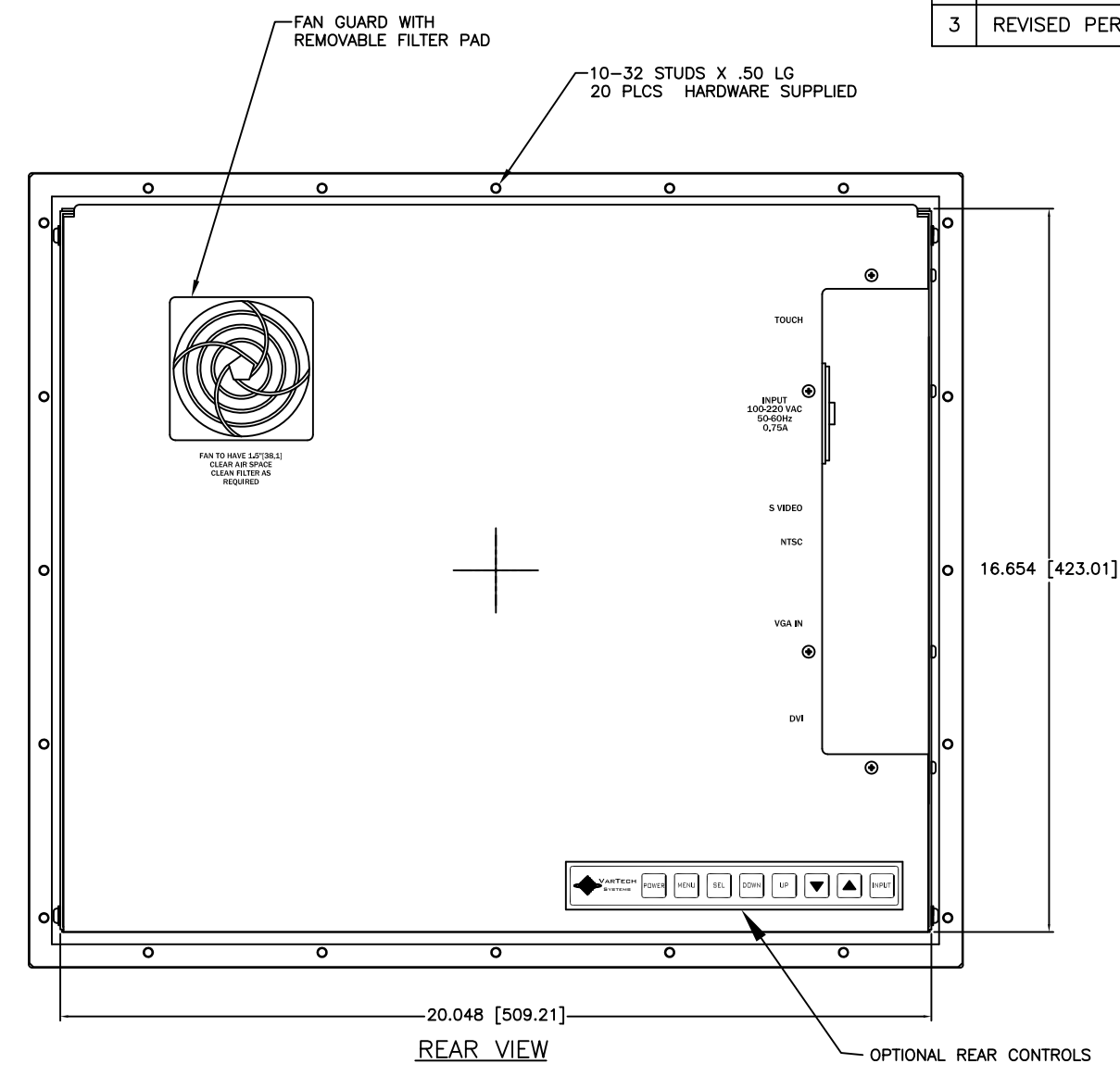
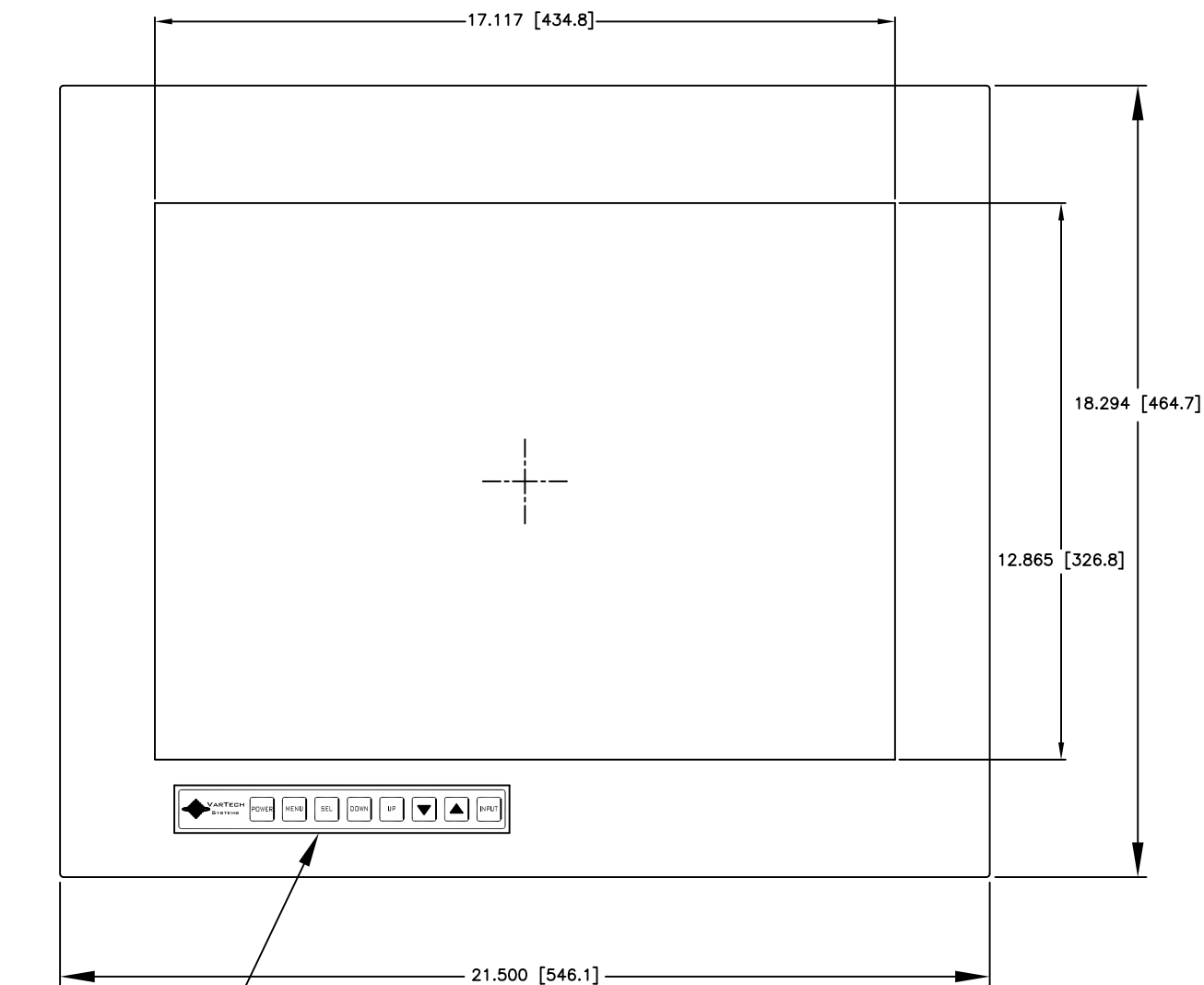
Website

www.vartechsystems.com

OPTIONS

- Capacitive or Resistive Touch
- HD15 to 5BNC Cable
- Stainless Steel NEMA 4X Front Panel
- Optical Bonding for added Shock & Vibration protection and/or reduced solar reflectivity
- Integrated Heaters & Thermostat for extended Operational Temperature -20°C
- Transparent Thermal Heaters for -40°C Operational Temperature
- Private Label for OEM/VAR Applications
- ITO Glass for Heater or EMI
- Automatic Dimming Sensor
- Manual Full-Range Dimming

CHANGE HISTORY				
FILE INDEX	DESCRIPTION	APPROVAL INITIAL	DATE	
2	PRELIMINARY RELEASE			
3	REVISED PER Δ 3 ADD SILKSCREEN	DMS	8/5/04	

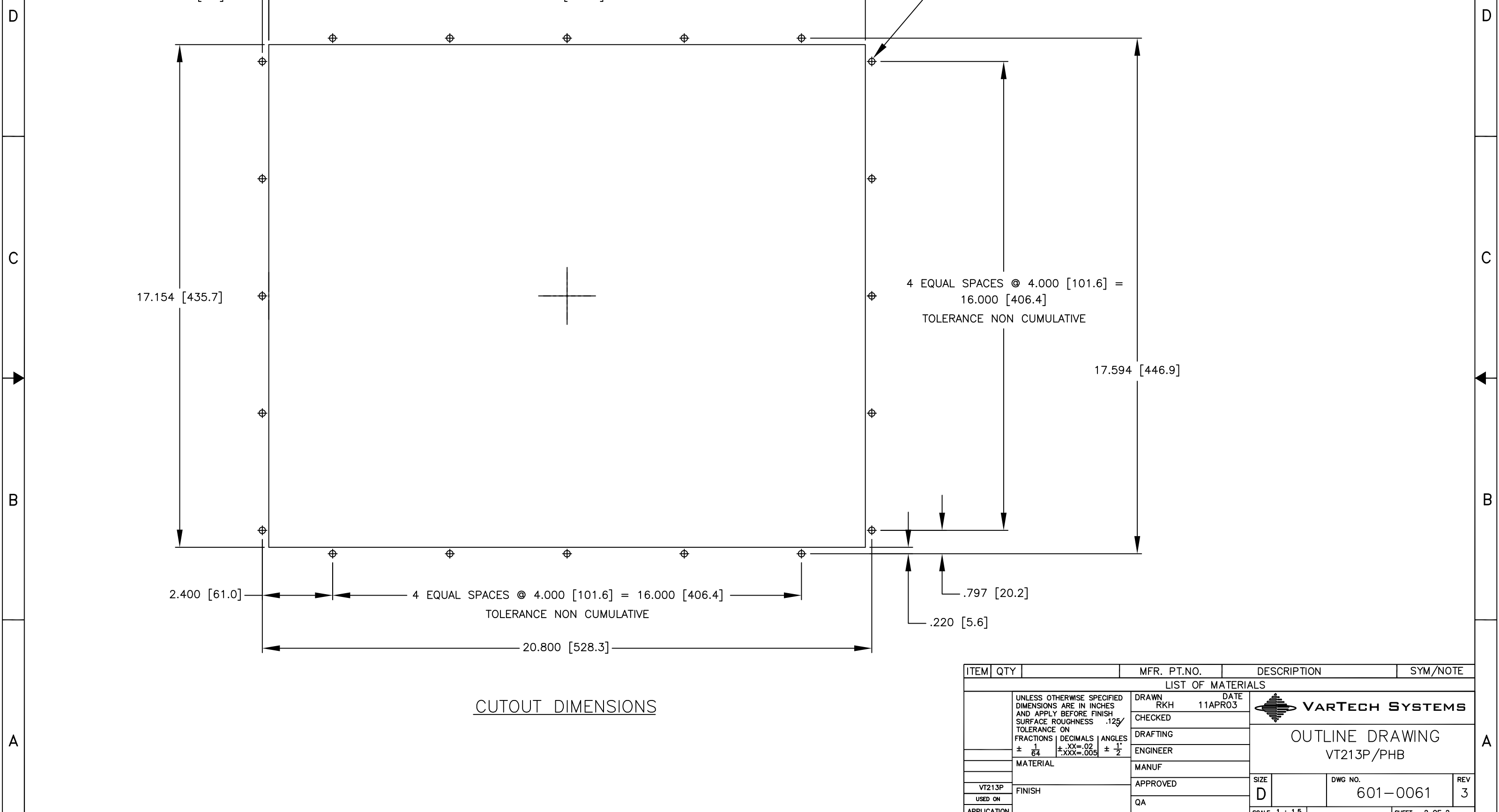


NOTES:

1. ALL DIMENSIONS ARE NOMINAL AND FOR REFERENCE ONLY.
2. WEIGHT OF UNIT IS 35.5 LBS.
3. SHIPPING WEIGHT OF UNIT IS 45 LBS.

ITEM	QTY	MFR.	PT.NO.	DESCRIPTION	SYM/NOTE
LIST OF MATERIALS					
UNLESS OTHERWISE SPECIFIED DIMENSIONS ARE IN INCHES AND APPLY BEFORE FINISH SURFACE ROUGHNESS .125 TOLERANCE ON FRACTIONS DECIMALS ANGLES		DRAWN RKH DATE 11APR03		 VARTECH SYSTEMS OUTLINE DRAWING VT213P/PHB	
± 1/64 ±.XX=.02 ± 1/2		CHECKED			
MATERIAL		DRAFTING			
VT213P		ENGINEER			
USED ON		MANUF		SIZE D DWG NO. 601-0061 REV 3	
APPLICATION		APPROVED		SCALE 1 : 2 SHEET 1 OF 2	
		QA		FILE NUMBER: 6010061A-R3 1	

CHANGE HISTORY		
FILE INDEX	DESCRIPTION	APPROVAL INITIAL DATE
3	PRELIMINARY RELEASE	



ITEM	QTY	MFR. PT.NO.	DESCRIPTION	SYM/NOTE
LIST OF MATERIALS				
UNLESS OTHERWISE SPECIFIED DIMENSIONS ARE IN INCHES AND APPLY BEFORE FINISH SURFACE ROUGHNESS .125 TOLERANCE ON FRACTIONS DECIMALS ANGLES		DRAWN RKH	DATE 11APRO3	 OUTLINE DRAWING VT213P/PHB
± 1/64 ±.XX=.02 ± 1/2		CHECKED		
		DRAFTING		
		ENGINEER		
MATERIAL		MANUF		SIZE D
VT213P		APPROVED		DWG NO. 601-0061
USED ON		QA		REV 3
APPLICATION				SCALE 1 : 1.5
			SHEET 2 OF 2	FILE NUMBER: 6010061B-R3