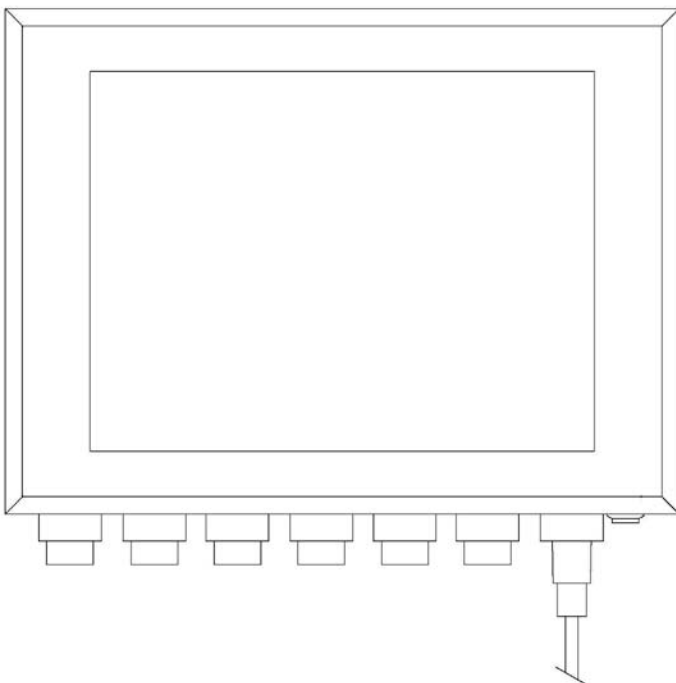




*Solutions for Demanding Applications*

**VARTECH**  
SYSTEMS INC.



## **15.0" Enclosed VESA Mount PC**

**Model VTPC150V / VS / VHB / VSHB**

## **User's Guide**

Read these instructions completely before attempting to operate your new Panel Mount PC



### Revision History

<b>Date</b>	<b>Rev No</b>	<b>Summary</b>	<b>Page</b>
03/15/08	00	First Issue	
07/22/08	01	Revised Enclosure & Specifications	5 & 6
10/31/08	02	Added VHB & VSHB versions	1, 4 - 7
07/10/09	03	Revised Detail A	8

## Safety Instructions

- Read the Safety Instructions carefully and keep it for use later.
- The chassis metalwork of the module must be installed properly to the main earthing termination for Class 1 equipment.
- Care must be exercised in the application of the system to prevent overheating. Ensure that the ambient temperature around the system does not exceed 50°C and provide adequate means of ventilation to achieve this.
- When cleaning cut off the electrical supply at all times. Never use liquid or aerosol detergent, use a soft damp cloth instead.
- Never insert anything metallic into the chassis openings. This may create an electric shock hazard or hazard from rotating fan blades.
- To avoid electric shock, never touch the inside of the system. There are no user adjustable components inside, only a qualified technician should open the system's case.
- To prevent overheating, the heat sink should not be blocked or covered.
- If the system does not operate normally – in particular, if there are any unusual sounds or smells coming from it – disconnect it immediately.
- Do not put pressure on the LCD panel screen because it is very fragile.
- Always handle the system with care when moving it.
- Take care that the system is disposed of correctly at the end of its life. If in doubt refer to your local ordinances or regulations for proper disposal.

## Cleaning the LCD monitor

To clean the LCD panel:

- Wipe the screen gently with a clean lens brush made of camel hair, or a soft, clean, lint free cloth. This is to remove dust and other particles without scratching the LCD panel.
- If it is still not clean, then wipe with a damp lint free cloth and blow on it to dry.

Do not clean the panel with a keton-type material (e.g. acetone), or ethyl toluene, ethyl acid, methyl or chloride. These may damage the LCD panel.

Do not apply pressure to the LCD panel.

## Standard Technical Specifications:

### LCD Monitor:

#### **STANDARD VERSION:**

<b>Size / Type</b>	15.0" XGA TFT LCD
<b>Native Resolution</b>	1024 x 768
<b>Contrast Ratio</b>	600:1
<b>Viewing Angles</b>	Horizontal: 140° Vertical: 120°
<b>Pixel Pitch</b>	0.294mm
<b>Brightness (typical)</b>	250 cd/m <sup>2</sup>
<b>Response Time (typical)</b>	7ms
<b>Colors Supported:</b>	16.7 million

#### **HIGH-BRIGHT VERSION:**

<b>Size / Type</b>	15.0" a-Si TFT LCD
<b>Native Resolution</b>	1024 x 768
<b>Contrast Ratio</b>	450:1 (contrast ratio >10:1)
<b>Viewing Angles</b>	Horizontal: 75° Vertical: 75° upside, 55° downside
<b>Pixel Pitch</b>	0.297mm
<b>Brightness (typical)</b>	500 cd/m <sup>2</sup>
<b>Response Time (typical)</b>	25ms
<b>Colors Supported:</b>	16.7 million

## Computer System:

<b>Processor</b>	Intel® Atom™ N270, 1.6 GHz Processor with a 533 Mhz FSB
<b>System Memory</b>	DDR2 533 SO-DIMM 1 GB (system max 2GB)
<b>BIOS</b>	AMI BIOS
<b>Hard Drive</b>	320 GB SATA (system max 2x SATA)
<b>Operating System</b>	Microsoft Windows XP Professional (SP3)
<b>Expansion Slots</b>	1x PCI Express Mini Card
<b>I/O Ports</b>	AC Power Inlet x 1 COMM Port x 2 (RS232) USB 2.0 Port x 3 RJ45 LAN Port x 1
<b>Graphics</b>	Intel Generation 3.5 integrated GFX Core (133Mhz)
<b>LAN</b>	PCIe Realtek 8111CP GbE
<b>Touch Screen</b>	Resistive
<b>Touch Screen Interface</b>	Serial

## Power Specifications:

<b>Power Input</b>	100-240 VAC 1.5A 50/60 Hz	
<b>Power Consumption</b>		
<b>Standard:</b>	30W	
<b>High-Bright:</b>	75W	
<b>Temperature</b>		
<b>Standard:</b>	Operational: 32°F to 140°F	0°C to 60°C
	Storage: -4°F to 149°F	-20°C to 65°C
<b>High-bright:</b>	Operational: 32°F to 140°F	0°C to 60°C
	Storage: -4°F to 149°F	-20°C to 65°C
<b>Humidity</b>		
<b>Standard:</b>	Operational: 0 to 90% RH NC	
	Storage: 0 to 95% RH NC	
<b>High-bright:</b>	Absolute: 95% max RH NC (ambient temp 0-40°C)	
	85% max RH NC (ambient temp > 40°C, up to 50°C)	
	55% max RH NC (Ta > 50°C)	

## Installation of Your Enclosed VESA Mount PC

Packaged with each carton will be:

- 1 - VTPC150V / VS / VHB /VSHB
- 1 - AC Power Cable
- 1 – LAN Cable
- 2 – RS232 Cables
- 3 – USB Cables
- 1 - Users Guide (Printed or on CD)

**BEFORE MAKING ANY CONNECTIONS OR APPLYING POWER,  
FIRST READ THROUGH THE ENTIRE MANUAL**

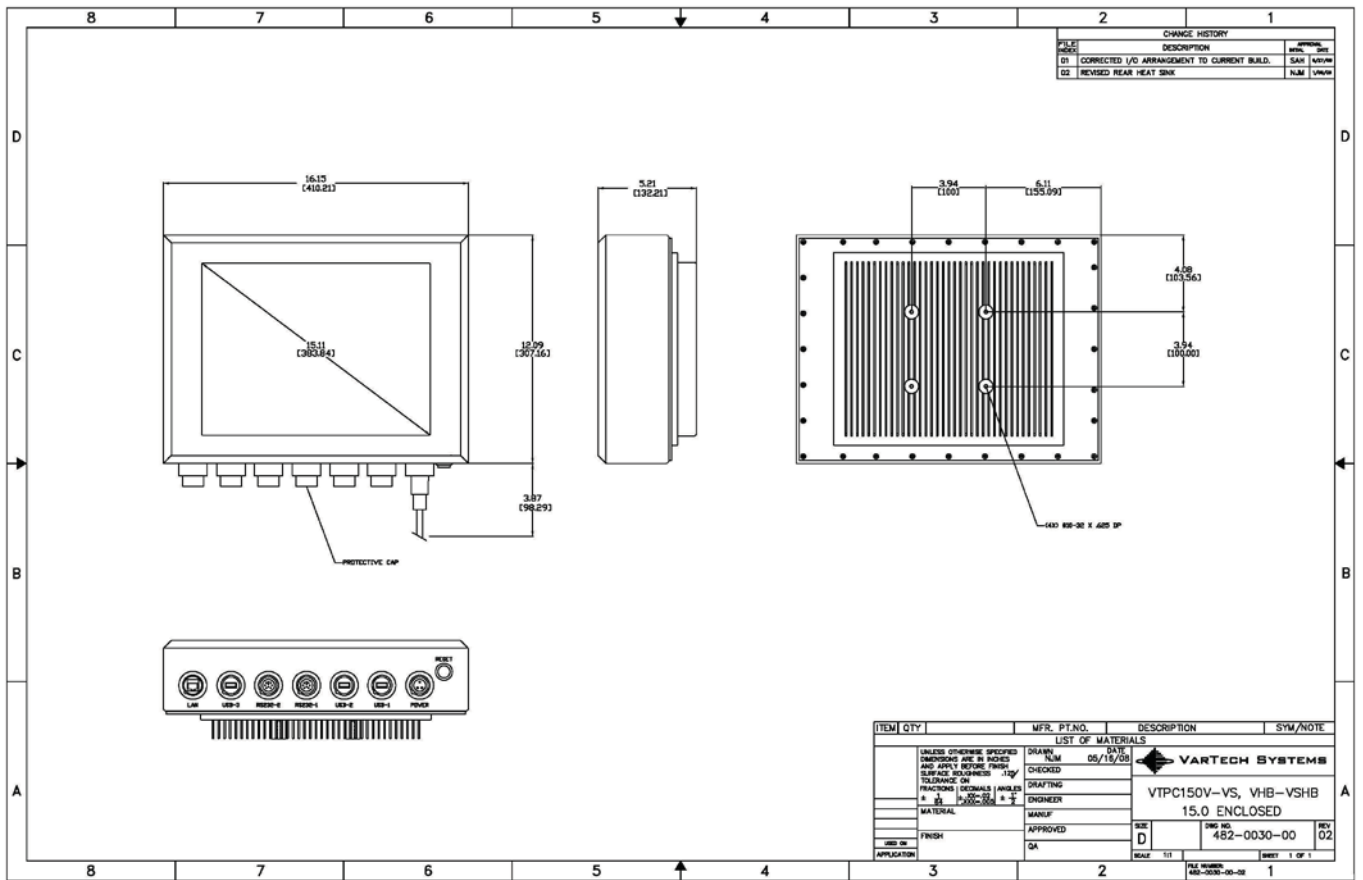
## Mounting Procedure

### VESA Panel Mounting Procedure:

- 1- Install the enclosure to a 100mm VESA mount pedestal.
- 2- Secure the enclosure using the screws and lock washers, supplied with the unit.
- 3- Tighten all mounting hardware to a torque of 15 inch-pounds.

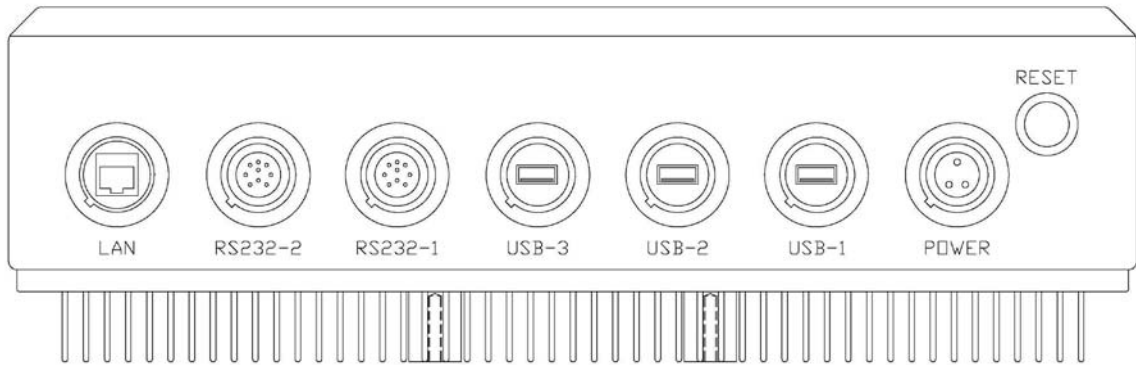
**ATTENTION:** Mounting hardware must be tightened to a torque of 15 inch-pounds to provide a proper panel mount and avoid potential damage. Vartech Systems assumes no responsibility for water or chemical damage to the monitor or other equipment within the enclosure due to improper installation.

- 4- Attach the power and system cables to the bottom side of the enclosure if you have not already done so.



**Product Drawing: Detail -A-**

**Connections to the Enclosed PC**



**Bottom Rear View  
- Connector Panel -**

## **Power Connection (Power In)**

The Enclosed VESA Mount PC includes an AC line cord which is 6ft long. The power input receptacle is located on the bottom rear panel of the system.

## **Serial Connections (COM 2 - 3)**

The Enclosed VESA PC is supplied with a serial connector configured for RS-232. The connector is a 9 pin female connectors and can be set up for any baud rate from 300 to 19.2 baud. The connector is located on the bottom panel of the system.

## **Ethernet Connections (LAN)**

The Enclosed PC is supplied with integrated Ethernet. The interface will support 10/100/1000 BaseT connection to a local area network (LAN). The Enclosed PC is supplied with a RJ-45 female connector located on the bottom panel of the system.

## **USB Connections (USB 1 - 2 - 3)**

The Enclosed VESA PC is supplied with three USB 2.0 connectors, which are located on the bottom panel of the system.

## **Turning the system On and Off**

Before connecting the Enclosed VESA Mount PC to power, connect any peripheral devices. As a general rule, any peripheral device should only be connected or disconnected when the Enclosed PC is off with the exception of any USB peripheral.

The Enclosed VESA Mount PC is turned on using the main On-Off rocket switch located on the bottom panel. Once the Enclosed PC main switch is turned on the computer power pushbutton switch must be depressed for Windows to start. Windows must be properly shut down before the main power switch is turned off to prevent the chance of corrupting files in the operating system.

The Enclosed VESA Mount PC is rated for continuous duty. However, to extend the life of the various components and conserve power, it is highly recommended that the system be properly shut down and power turned off when the Enclosed VESA Mount PC is not in use.

## **LCD Monitor Warm-up Time**

All LCD monitors need time to become thermally stable the first time you turn them on. Therefore, to achieve more accurate adjustments for parameters, allow the LCD monitor to warm (be on) for at least 20 minutes before making any screen adjustments.

## Maintenance

The Enclosed VESA Mount PC is designed to provide optimum service and performance with minimal maintenance including the occasional external cleaning. For cleaning the Enclosed VESA Mount PC enclosure follow the suggested guidelines.

**General** – NEVER use abrasive cleaners or solvent-based cleaners!! Use a clean soft cloth. The Enclosed VESA Mount PC should only be opened and serviced by a qualified technician. Keep the area around the Enclosed VESA Mount PC clear and free of excessive dirt or other contaminants.

For Additional Assistance  
Contact Your VarTech Sales Representative

Vartech Systems, Inc.  
11529 Sun Belt Ct.  
Baton Rouge, LA 70809

800-223-8050  
Fax: 225-297-2440

[www.vartechsystems.com](http://www.vartechsystems.com)