

Solutions for Demanding Applications



VARTECH
SYSTEMS INC.



SuperCube – Small Form Factor Industrial Computer

Model VTSC

Marks of Conformity: FCC47 CFR part 15, subpart B EMC: EN 55022:2006, EN 55024:1998, CISPR 22:2005, CISPR 24:1997 Canada: ICES-003 Australia/New Zealand: AS/NZS CISPR 22 CE RoHS WEEE

User's Guide

Read these instructions completely before attempting to operate your new SuperCube

Revision History

| Date | Rev No | Summary | Page |
|-------------|---------------|--|-------------|
| 02/23/09 | 00 | First Issue | |
| 03/13/09 | 01 | Corrected "Panel or Bulk-head Mounting" details and "Rear Panel" drawing | 4 & 5 |
| 03/26/09 | 02 | Corrected labels on "Rear Panel" drawings | 4 |
| | | | |
| | | | |
| | | | |
| | | | |
| | | | |
| | | | |
| | | | |
| | | | |
| | | | |
| | | | |

Standard Product Specifications

| | |
|--------------------------|---|
| Processor | 1.6 GHz Intel Atom N270 |
| System Memory | DDRII SO-DIMM 1GB x 1 |
| BIOS | AMI BIOS |
| Hard Drive | 320 GB Seagate Momentus SATA drive |
| Operating System | Microsoft XP Professional (SP3) |
| Power Input | 12 VDC |
| Power Consumption | 30W (estimated) |
| Expansion Slots | PCI Express (PCIe) x 1 |
| I/O Ports | RS-232 Port x 5 (1 Optional RS-422/485) USB 2.0 Port x 6 RJ45 LAN Port x 2 VGA Port x 1 Audio Jacks: Line In x 1/ Audio Out x 1/ Microphone x 1 |
| Temperature | Operational: 32°F to 122°F 0°C to 50°C Storage: -40°F to 149°F -40°C to 65°C |
| Humidity | Operational: 0 to 90% RH NC Storage: 0 to 95% RH NC |

Package Contents:

- 1 - SuperCube Chassis
- 1 - AC Power Supply
- 1 - User Manual

**BEFORE MAKING ANY CONNECTIONS OR APPLYING POWER,
FIRST READ THROUGH THE ENTIRE MANUAL**

INSTALLATION OF YOUR NEW SUPERCUBE

Panel or Bulkhead Mounting:

The SuperCube is designed for continuous use in any area where the ambient air temperature and humidity at the unit is within the recommended operating specification.

The SuperCube is not sealed from direct exposure to moisture or excessive contaminants. The connectors are standard computer connectors and care should be taken to avoid foreign materials and moisture from entering them. No maintenance is required.

The SuperCube should always be placed such that the heat sink fins are oriented up and/or vertical to the ground to allow proper heat dissipation. An anti-shock mount is available.

CONNECTIONS TO THE SUPERCUBE

Power Connection (Power In):

The SuperCube includes an AC power module and line cord which is 6ft long. The power receptacle is located on the right rear as you look at the computer connection side of the chassis. The AC power module supplied with the SuperCube is rated at 90W AC-DC. The SuperCube can support up to 180W to connect additional peripherals. Care must be taken when connecting additional peripherals which require power over 90W.

Rear Panel Connections (see also page 5):

Serial Connections (SERIAL, COM 1, 3, 4, 5, 6) (Optional: COM 2 RS-422/485)

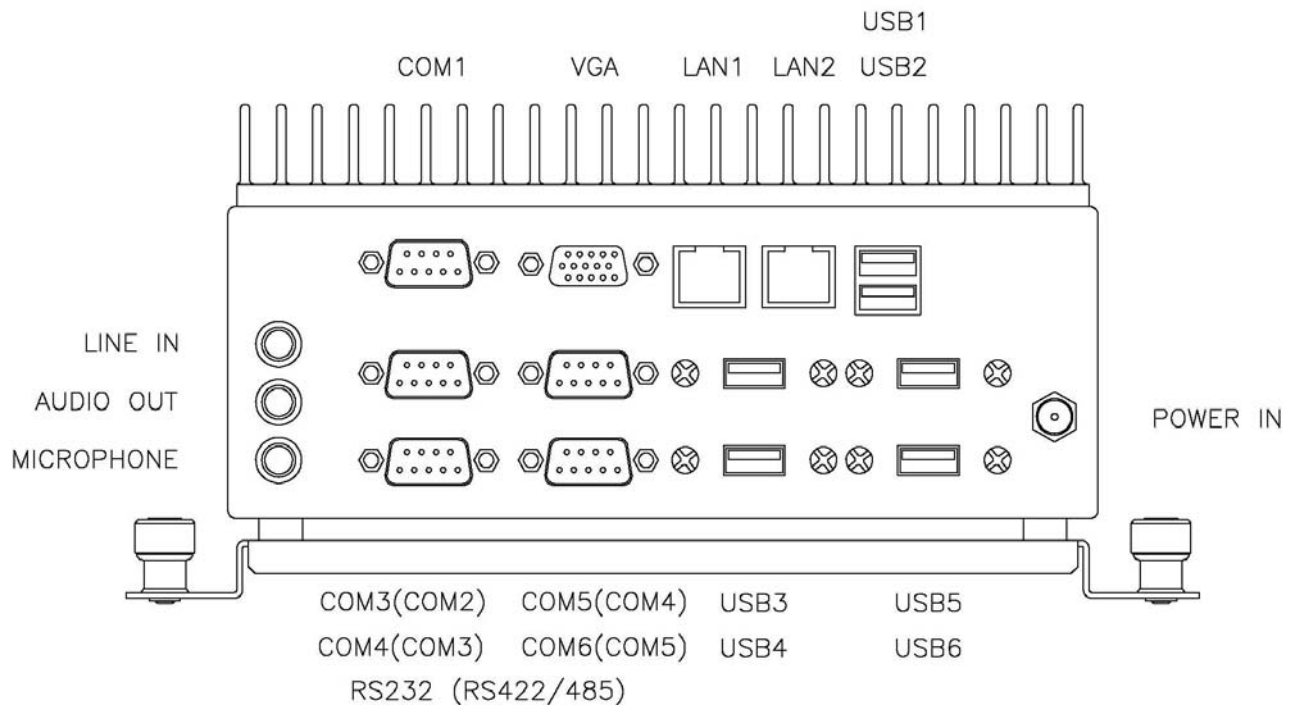
The SuperCube is supplied with five serial connectors configured for RS-232. The connectors are 9 pin female connectors and can be set up for any baud rate from 300 to 19.2 baud. The connectors are located on the rear panel.

Ethernet Connections (LAN1 & LAN2)

The SuperCube is supplied with two integrated Ethernet connections. The interface will support 10/100/1000 BaseT connection to a local area network (LAN). The SuperCube is supplied with 2 RJ-45 female connectors located on the rear panel.

USB Connections (USB 1-6)

The SuperCube is supplied with six USB 2.0 connectors, all located on the rear panel.



SuperCube Rear Panel (shown with Shock Mount)

Operating System:

The SuperCube is supplied with Windows XP Professional Service Pack 3.

Turning the system On and Off:

Before connecting the SuperCube to power, connect all peripheral devices. These connections should only be connected or disconnected when the SuperCube is off with the exception of any USB peripheral.

The SuperCube can be turned on using the On-Off pushbutton switch located on the front panel. Once the SuperCube is turned on, and Windows has started, Windows must be properly shut down before the power is turned off to prevent the chance of corrupting files in the operating system.

Maintenance and Storage:

The SuperCube is designed to provide optimum service and performance with minimal maintenance including the occasional external cleaning. For cleaning the SuperCube follow the suggested guidelines.

General –

NEVER use abrasive cleaners or solvent-based cleaners. Use a clean soft cloth. The SuperCube should only be opened and serviced by a qualified technician. Keep the area around the SuperCube clear and free of excessive dirt or other contaminants. Do not use water or any liquids on the SuperCube.

Storage –

If the SuperCube is not going to be used for a prolonged period, it is recommended that the SuperCube be removed and stored in a normal indoor environment protected from any accidental damage.

For Additional Assistance
Contact Your VarTech Sales Representative
VarTech Systems, Inc.
11529 Sun Belt Ct
Baton Rouge, LA 70809
800-223-8050
Fax: 225-297-2440
www.vartechsystems.com