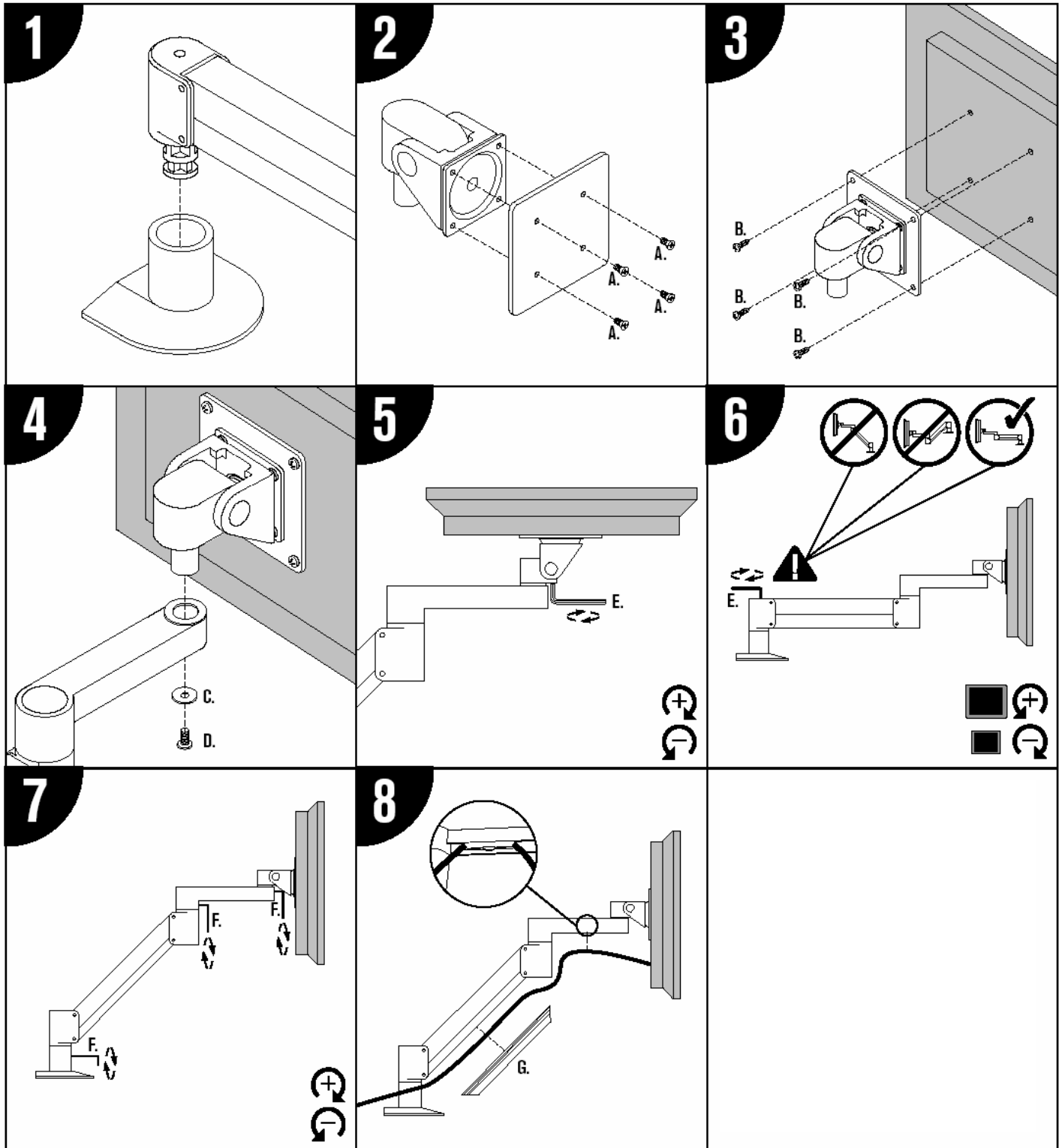




**VT7045 Installation Guide**

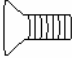


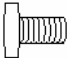





**HEADQUARTERS**  
11529 Sun Belt Ct.  
Baton Rouge, Louisiana 70809

**Phone** 800.223.8050  
**International** 001.225.298.0300  
**Fax** 225.297.2440

**E-mail** sales@vartechsystems.com  
**Website** www.vartechsystems.com


**VT7045 Installation Guide - Parts List**

ITEM	DESCRIPTION / PART NO.	QUANTITY
A. 	<b>10-32 x 3/8" (9.525mm) Philips Flat Head Screw</b> 701164	4
B. 	<b>M4-12 Philips Pan Head Screw</b> 702096	4
C. 	<b>Tilter Washer</b> 704197	1
D. 	<b>10-32 x 3/8" (9.525mm) Philips Pan Head Screw</b> 700115	1
E. 	<b>7/32" (5.563mm) Allen Wrench</b> 701127	1
F. 	<b>3/32" (2.388mm) Allen Wrench</b> 700146	1
G. 	<b>Cable Cap</b> 102043-9.5A	1

**HEADQUARTERS**  
 11529 Sun Belt Ct.  
 Baton Rouge, Louisiana 70809

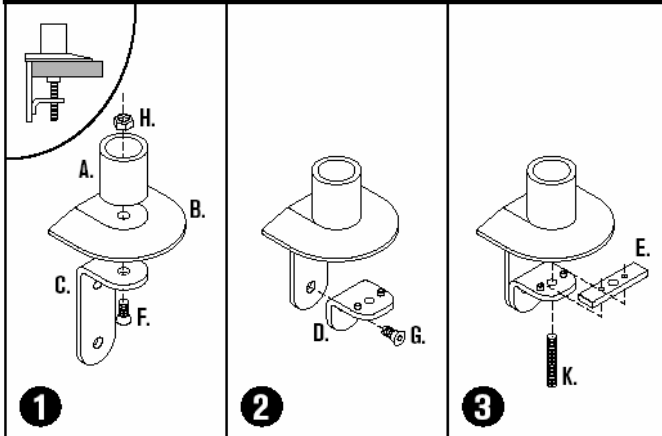
**Phone** 800.223.8050  
**International** 001.225.298.0300  
**Fax** 225.297.2440

**E-mail** sales@vartechsystems.com  
**Website** www.vartechsystems.com

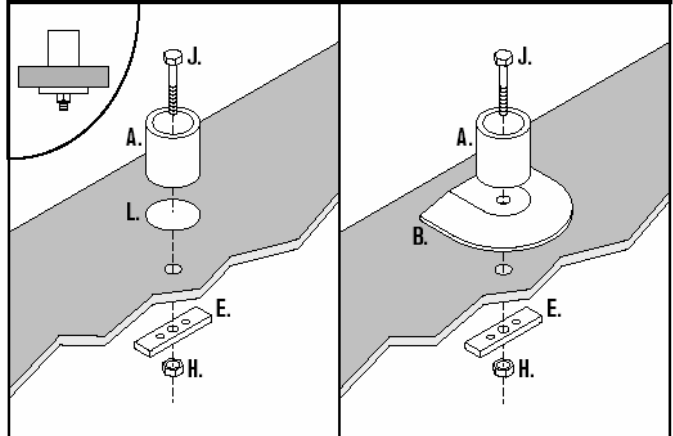


**FLEXmount™ Installation Guide**

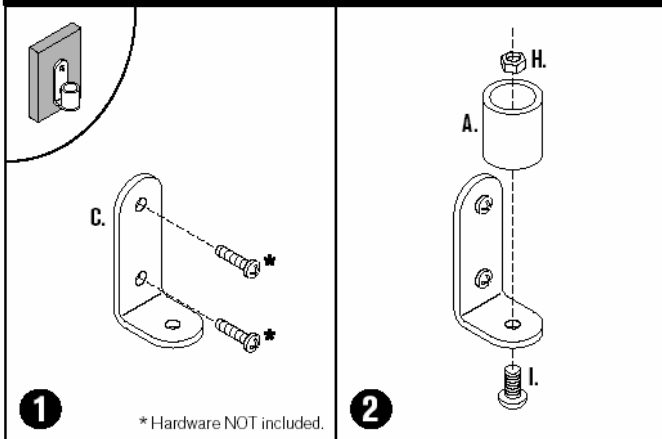
**Desk Clamp**



**Thru-Desk**

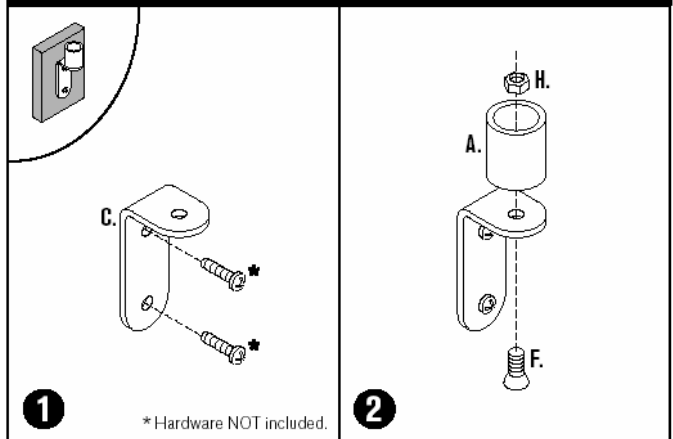


**Wall Mount**



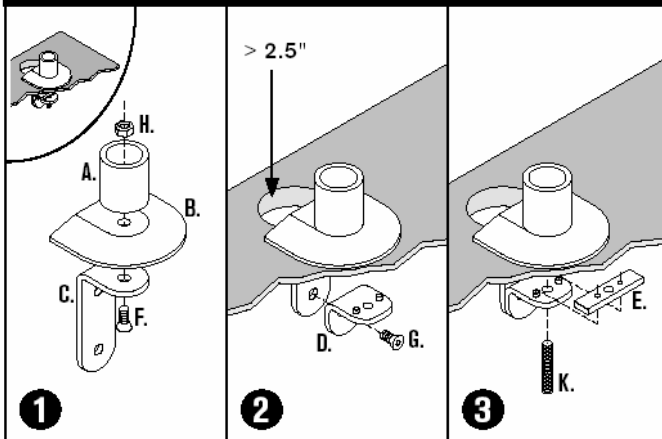
\* Hardware NOT included.

**Reverse Wall Mount**

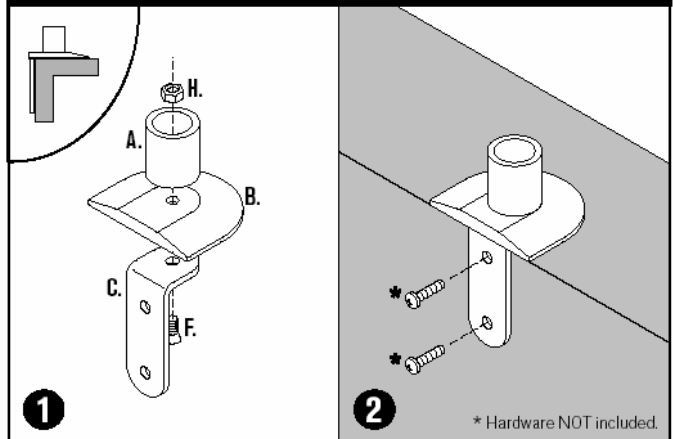


\* Hardware NOT included.

**Grommet Hole**



**Side Bolt**



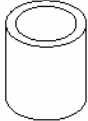
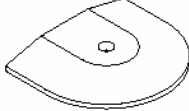
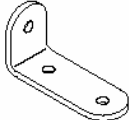

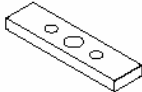
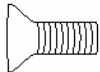
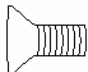

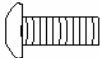
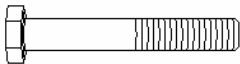


\* Hardware NOT included.

**HEADQUARTERS**  
11529 Sun Belt Ct.  
Baton Rouge, Louisiana 70809

**Phone** 800.223.8050  
**International** 001.225.298.0300  
**Fax** 225.297.2440

**E-mail** sales@vartechsystems.com  
**Website** www.vartechsystems.com


**FLEXmount™ Installation Guide - Parts List**

ITEM	DESCRIPTION / PART NO.	QUANTITY
A. 	<b>Mount Column</b> 401328 - Model 7000, Model 7045, Model 3500, Model 3545 8269 - Model 7500, iLift™, ArcView™ (9177-2 & 9177-3)	1
B. 	<b>Base Plate</b> 401417 - Model 7000, Model 7045, Model 3500, Model 3545 8321 - Model 7500, iLift™, ArcView™ (9177-2 & 9177-3)	1
C. 	<b>Large "L" Bracket</b> 701117 - Model 7000, Model 7045, Model 3500, Model 3545 702828 - Model 7500, iLift™, ArcView™ (9177-2 & 9177-3)	1
D. 	<b>Small "L" Bracket</b> 701116	1
E. 	<b>3" (76.2mm) x 3/4" (19.05mm) x 1/4" (6.35mm) Rectangular Spacer</b> 701544	1
F. 	<b>3/8-16 x 1" (25.4mm) Flat Socket Cap Screw</b> 701124 - Model 7000, Model 7045, Model 3500, Model 3545 701855 - 3/8-16 x 1-1/4" (31.75mm) - Model 7500, iLift™, ArcView™ (9177-2 & 9177-3)	1
G. 	<b>3/8-16 x 7/8" (22.225mm) Flat Socket Cap Screw</b> 701799	1
H. 	<b>3/8-16 Nylon Stop Nut</b> 701418	1
I. 	<b>3/8-16 x 7/8" (22.225mm) Button Socket Cap Screw</b> 701122	1
J. 	<b>3/8-16 x 2-1/2" (63.5mm) Hex Head Bolt</b> 700268	1
K. 	<b>1/2-13 x 3" (76.2mm) Socket Set Screw</b> 701126	1
L. 	<b>Foam Pad</b> (Included with Model 7000 only) 701120	1

**HEADQUARTERS**  
 11529 Sun Belt Ct.  
 Baton Rouge, Louisiana 70809

**Phone** 800.223.8050  
**International** 001.225.298.0300  
**Fax** 225.297.2440

**E-mail** sales@vartechsystems.com  
**Website** www.vartechsystems.com