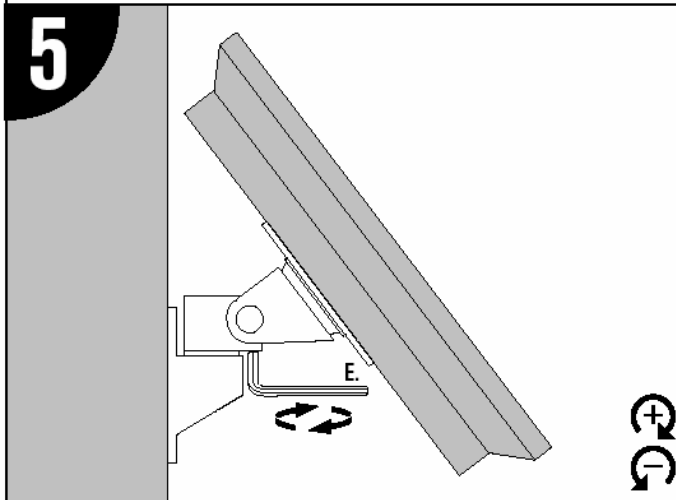
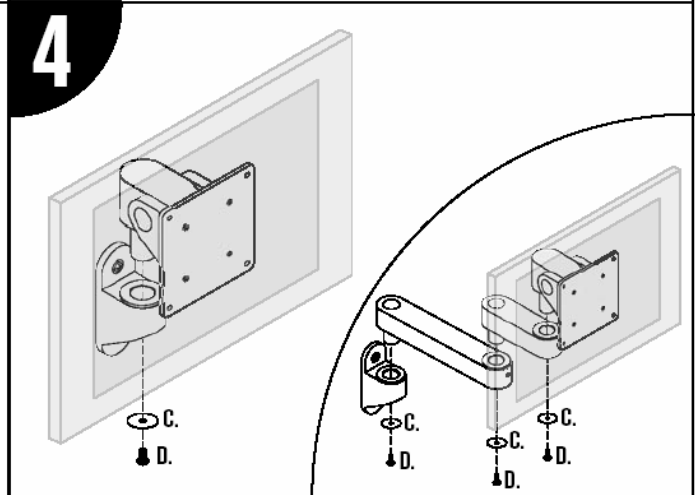
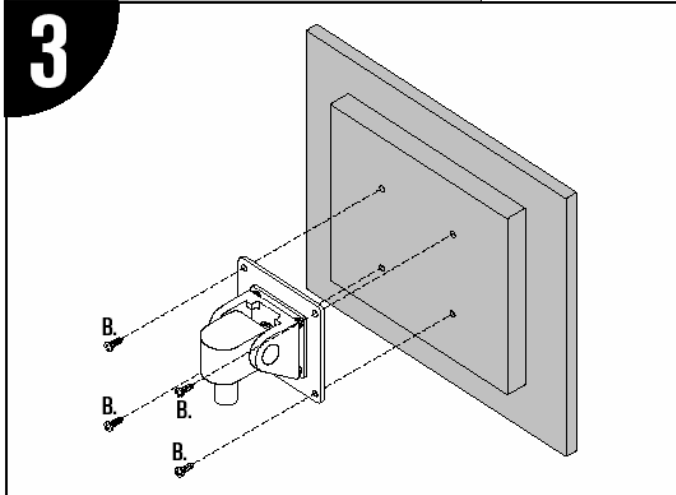
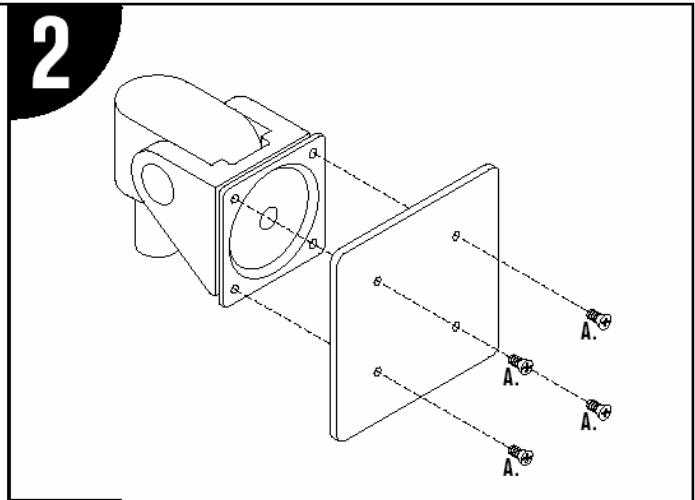
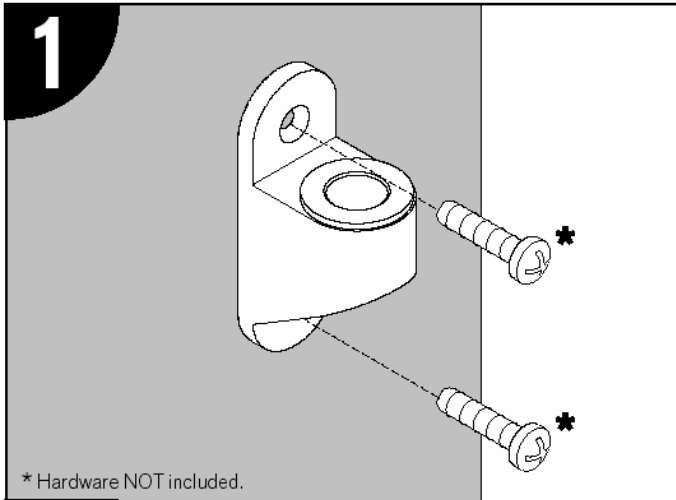




## VT9110 Installation Guide



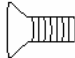
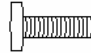

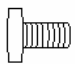

**HEADQUARTERS**  
11529 Sun Belt Ct.  
Baton Rouge, Louisiana 70809

**Phone** 800.223.8050  
**International** 001.225.298.0300  
**Fax** 225.297.2440

**E-mail** sales@vartechsystems.com  
**Website** www.vartechsystems.com



## VT9110 Installation Guide - Parts List

ITEM	DESCRIPTION / PART NO.	QUANTITY		
		Model# 9110	Model# 9110-4 & 9110-8.5	Model# 9110-8.5-4
A. 	10-32 x 3/8" (9.525mm) Philips Flat Head Screw 701164	4	4	4
B. 	M4-12 Philips Pan Head Screw 702096	4	4	4
C. 	Tilfer Washer 704197	1	2	3
D. 	10-32 x 3/8" (9.525mm) Philips Pan Head Screw 700116	1	2	3
E. 	7/32" (5.563mm) Allen Wrench 701127	1	1	1

**HEADQUARTERS**  
11529 Sun Belt Ct.  
Baton Rouge, Louisiana 70809

**Phone** 800.223.8050  
**International** 001.225.298.0300  
**Fax** 225.297.2440

**E-mail** sales@vartechsystems.com  
**Website** www.vartechsystems.com