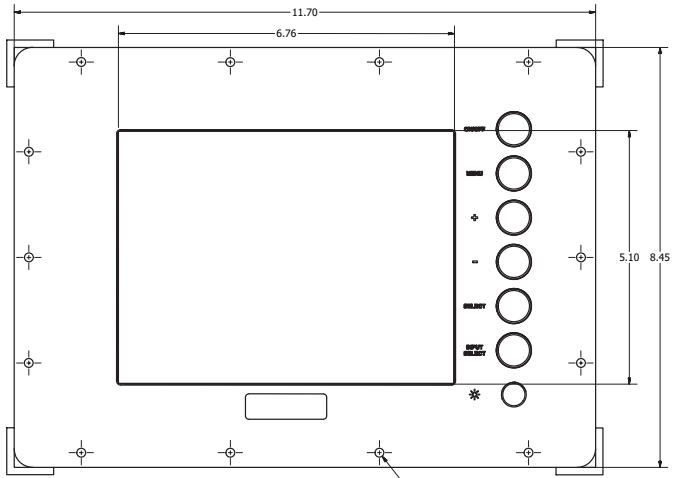
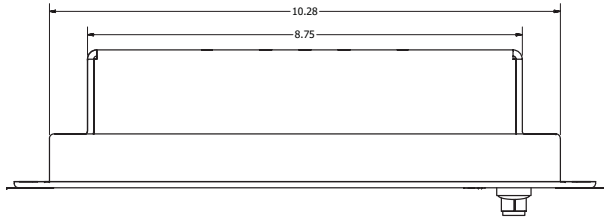
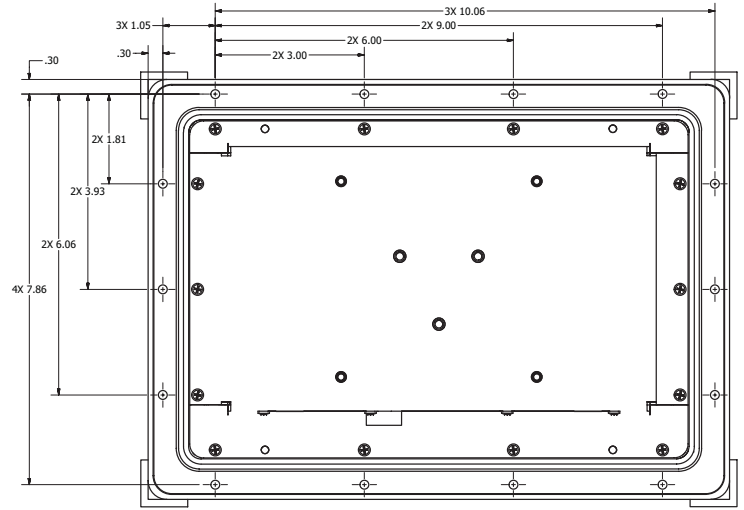
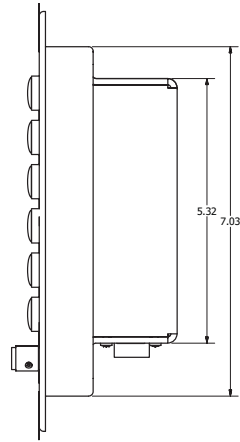
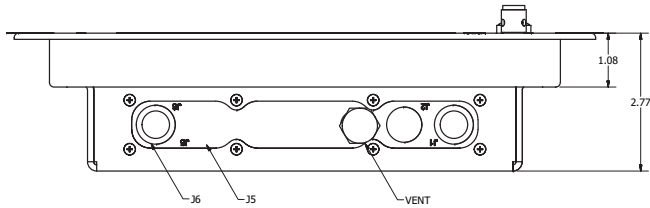


REVISION HISTORY			
REV	DESCRIPTION	INITIAL	DATE
1	NEW RELEASE	JAC	11/4/2009
2	ADDED 14X Ø.180	JAC	1/21/2010



14X Ø.180 THRU



DRAWN	ACarlton	11/4/2009	VARTECH SYSTEMS		TITLE	
CHECKED					ASSY, TOUCH, 8.4", ALL WEATHER	
QA			SIZE	TOLERANCES:	DWG NO	REV
MFG			D	.XX = .01 .XXX = .005	800-0105-R2	2
APPROVED			FINISH:			
USED ON	MATERIAL:		APPLICATION			
						SHEET 2 OF 2