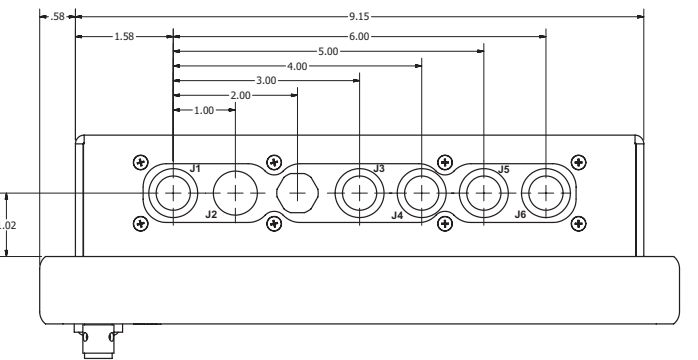
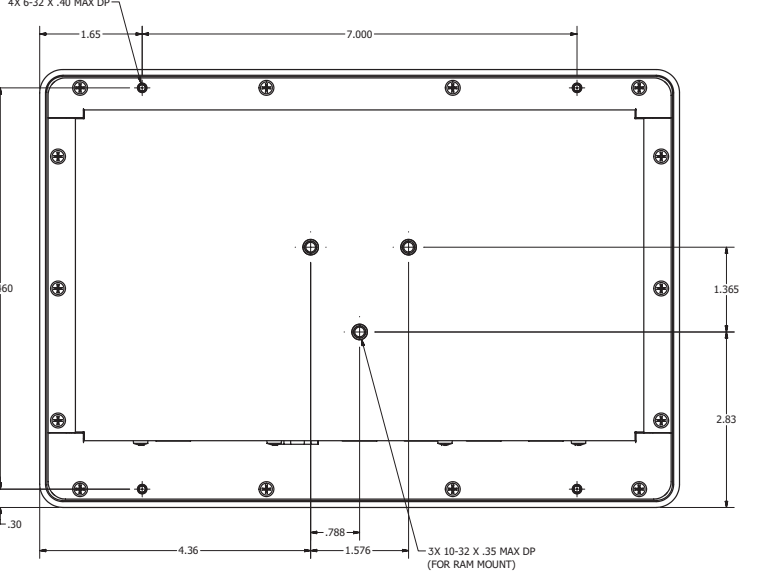
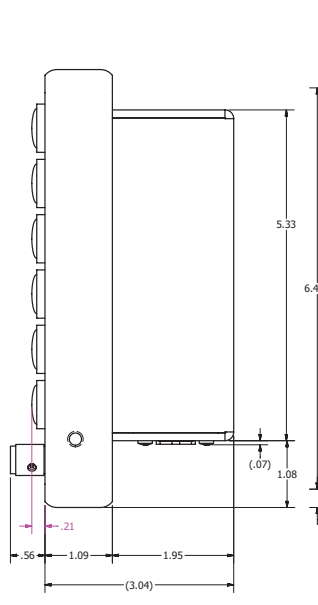
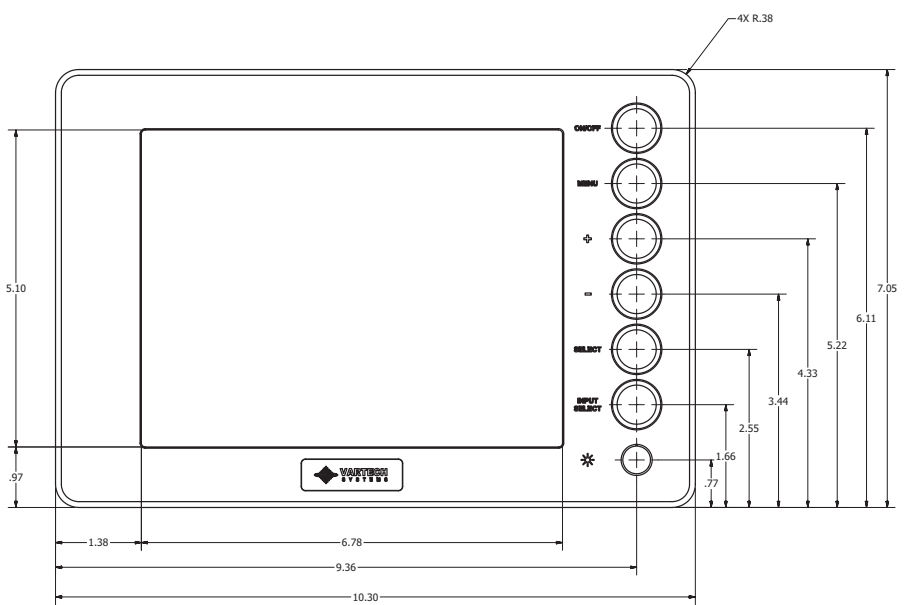


REVISION HISTORY				
REV	ZONE	DESCRIPTION	DATE	APPROVED
1		INITIAL RELEASE	08-Jul-09	
3		ADDED ADDITIONAL INFORMATION	13-Jul-09	
3		CORRECTED DISPLAY OPENING		



DRAWN G COSTEA	08-Jul-09	VARTECH SYSTEMS		
CHECKED				
QA		TITLE OUTLINE, AW, RAM/PNL, XGA, 8.40"		
MFG		SIZE D	DWG NO 601-0322	REV 3
APPROVED		SCALE	SHEET 1 OF 1	