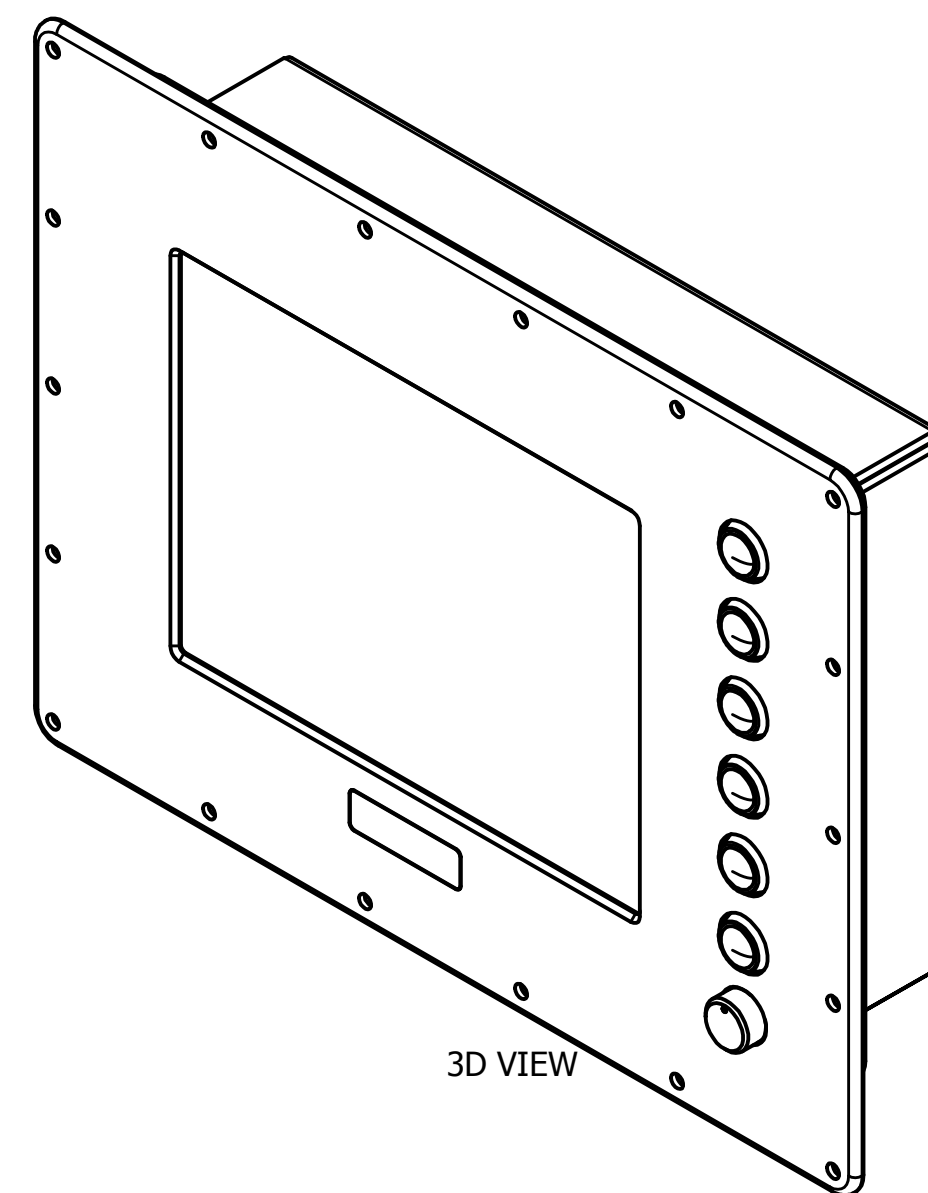
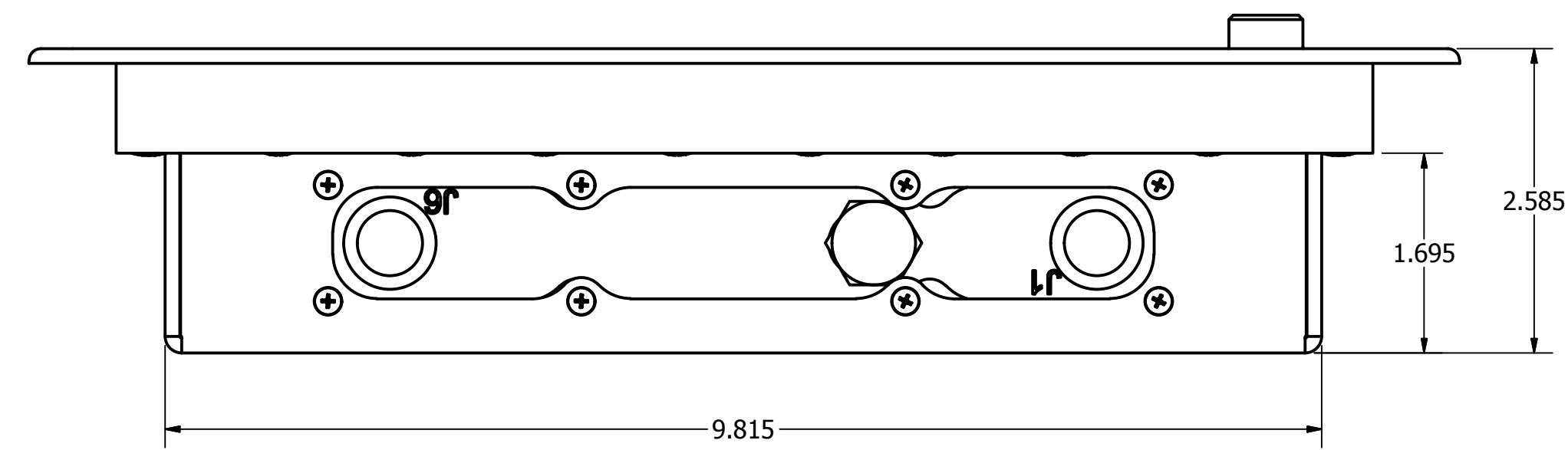
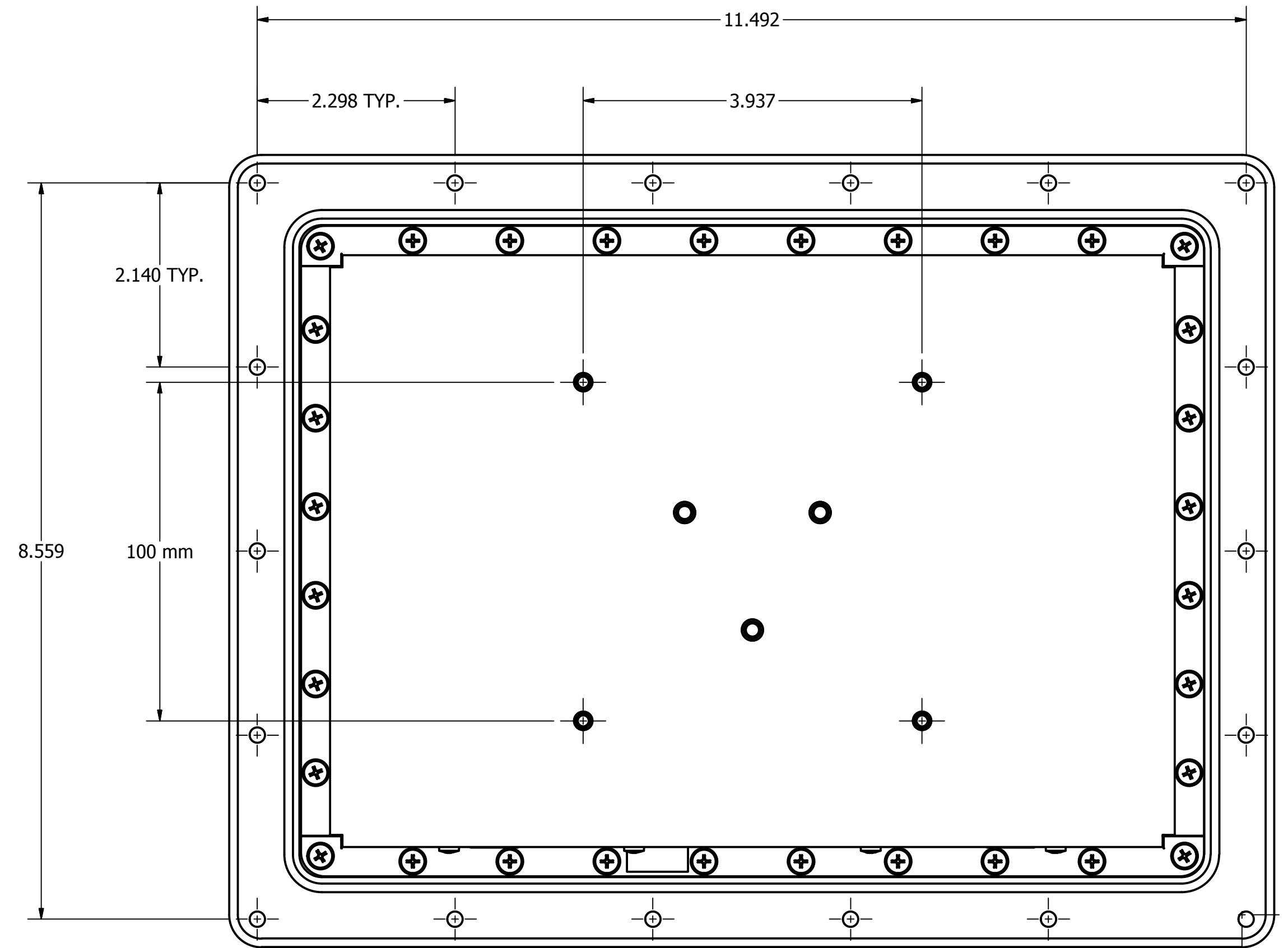
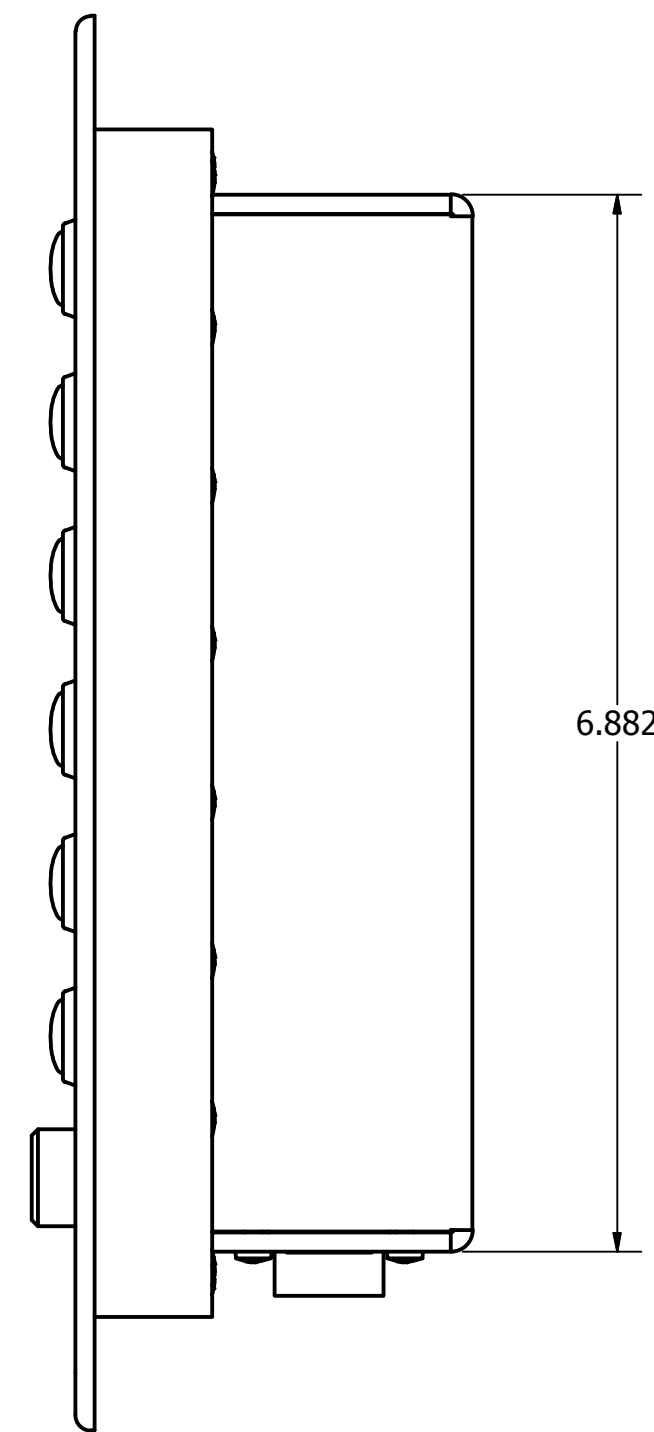
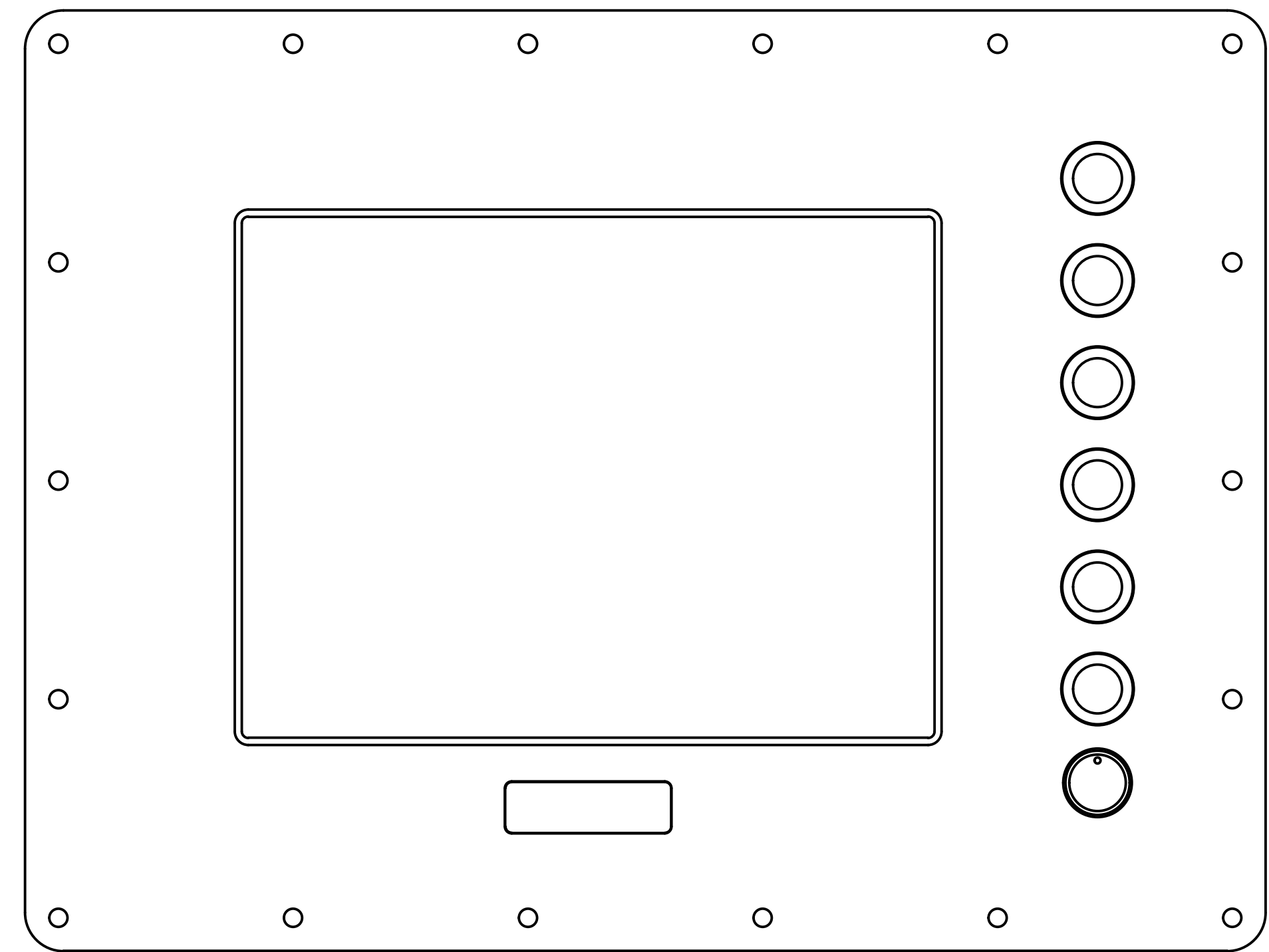



REVISION HISTORY			
REV	DESCRIPTION	INITIAL	DATE
1	NEW RELEASE	JAC	5/27/2010



3D VIEW

DRAWN	A Carlton	5/27/2010	 <b>VARTECH SYSTEMS</b>			
CHECKED						
QA			TITLE			
MFG			OUTLINE DRAWING, AW, 8.4"			
APPROVED			SIZE			
USED ON	MATERIAL:		D	TOLERANCES: .XX = .01 .XXX = .005	DWG NO <b>482-0074-00</b>	REV 1
APPLICATION			FINISH:		SHEET 1 OF 1	