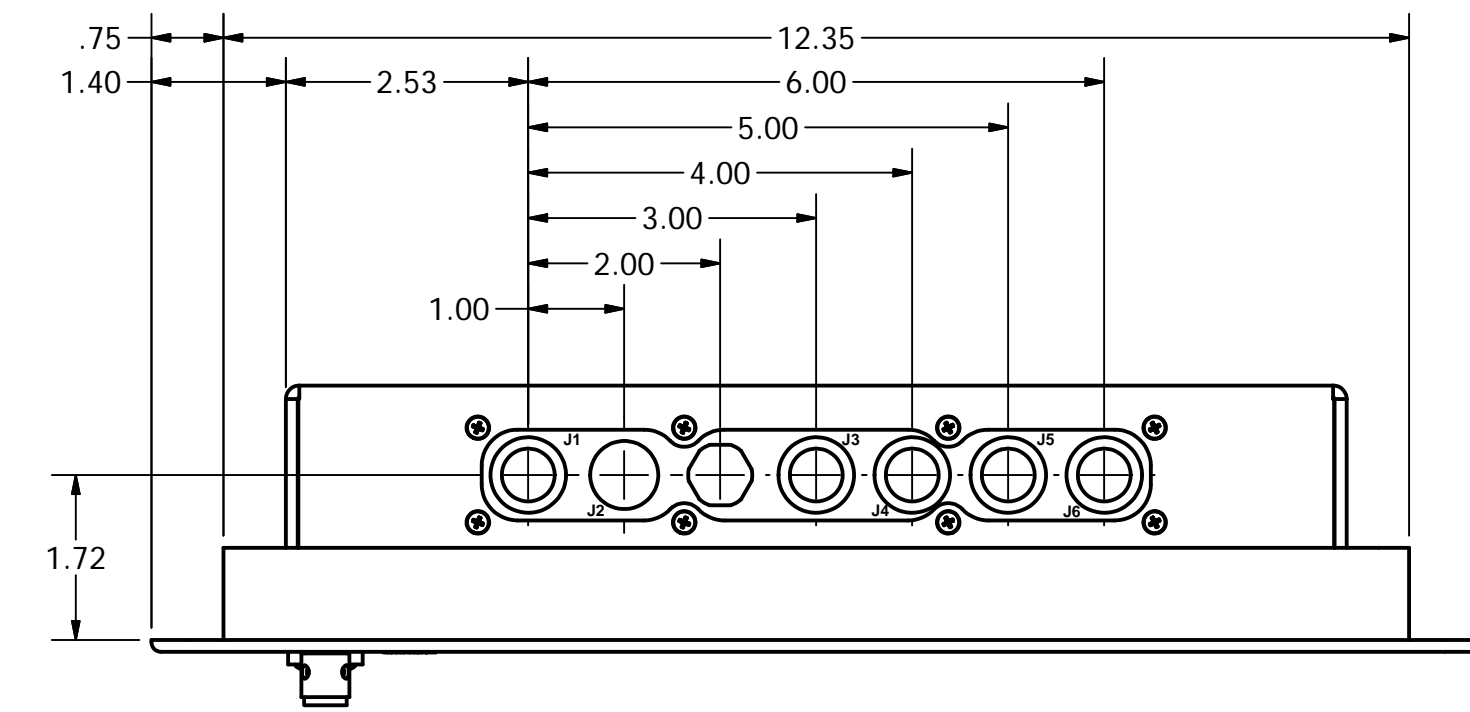
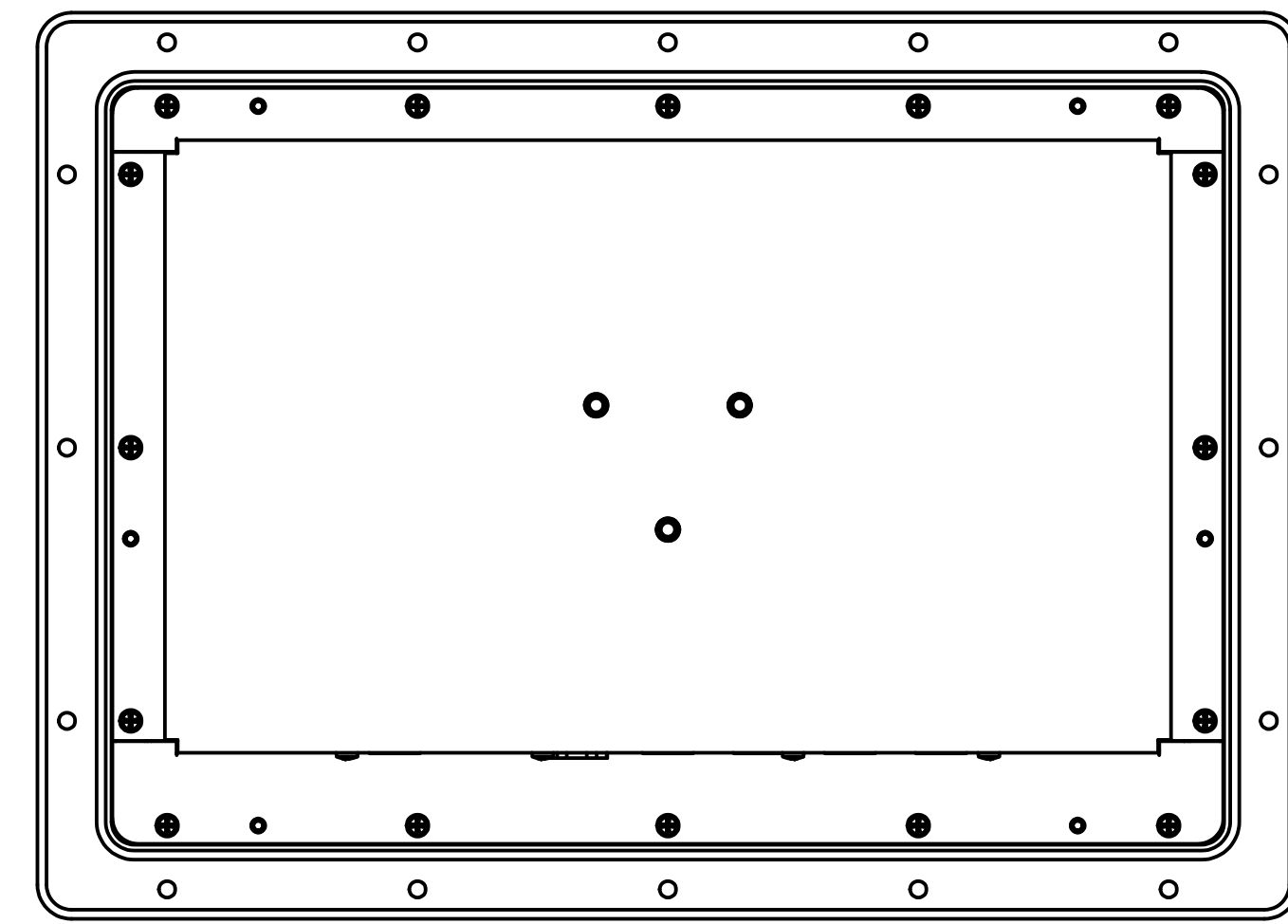
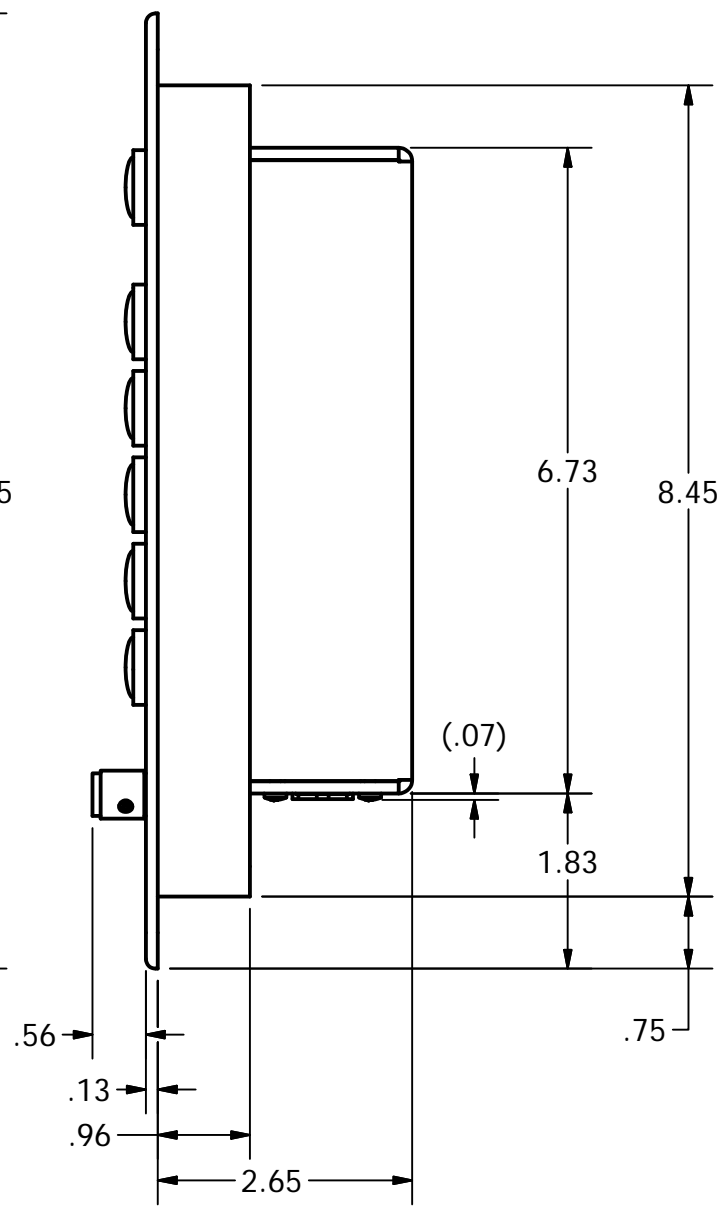
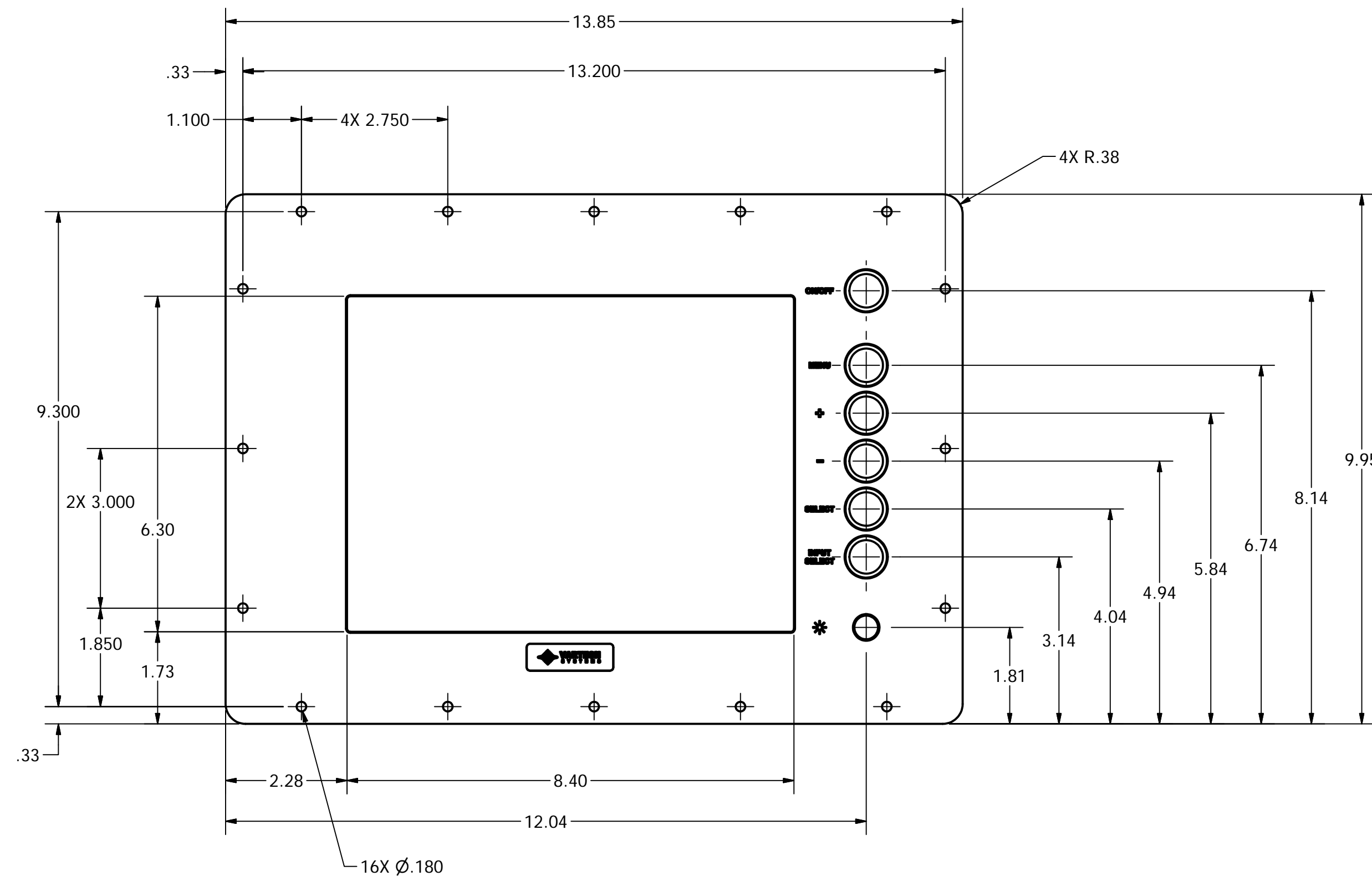



REVISION HISTORY				
REV	ZONE	DESCRIPTION	DATE	APPROVED
1		INITIAL RELEASE	24-AUG-09	



DRAWN G COSTEA	24-Aug-09	 VARTECH SYSTEMS		
CHECKED				
QA		TITLE OUTLINE, VT104XA-FM		
MFG				
APPROVED				
SCALE		SIZE D	DWG NO 601-0329	REV 1
		SHEET 1 OF 1		