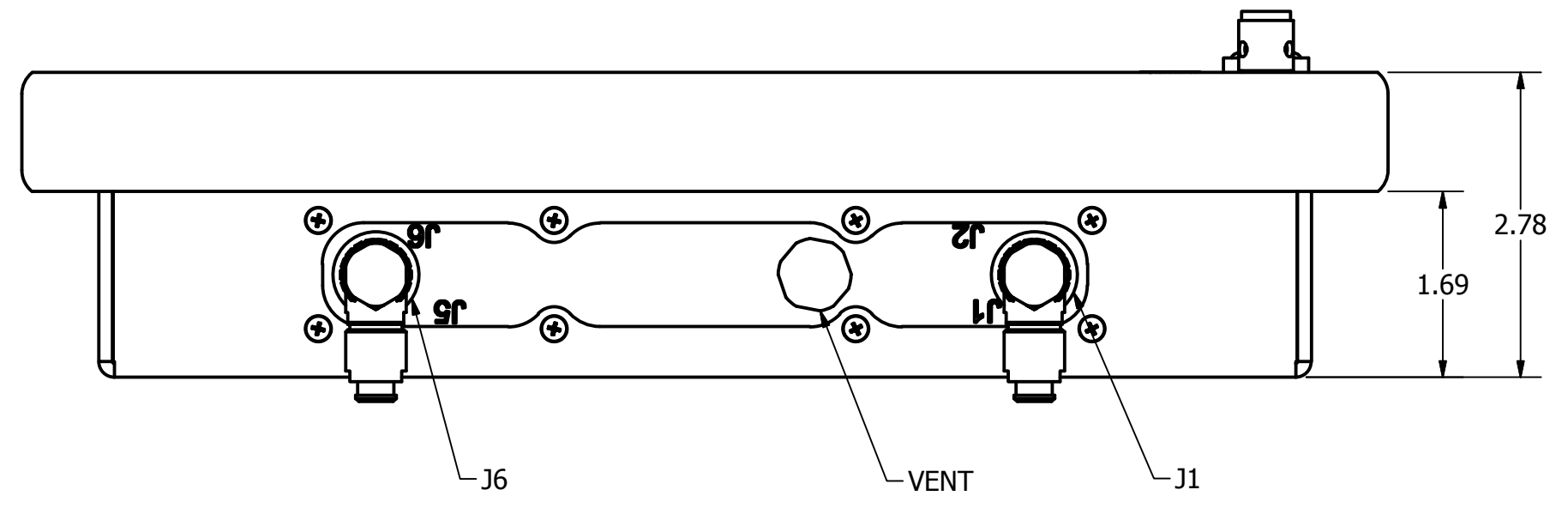
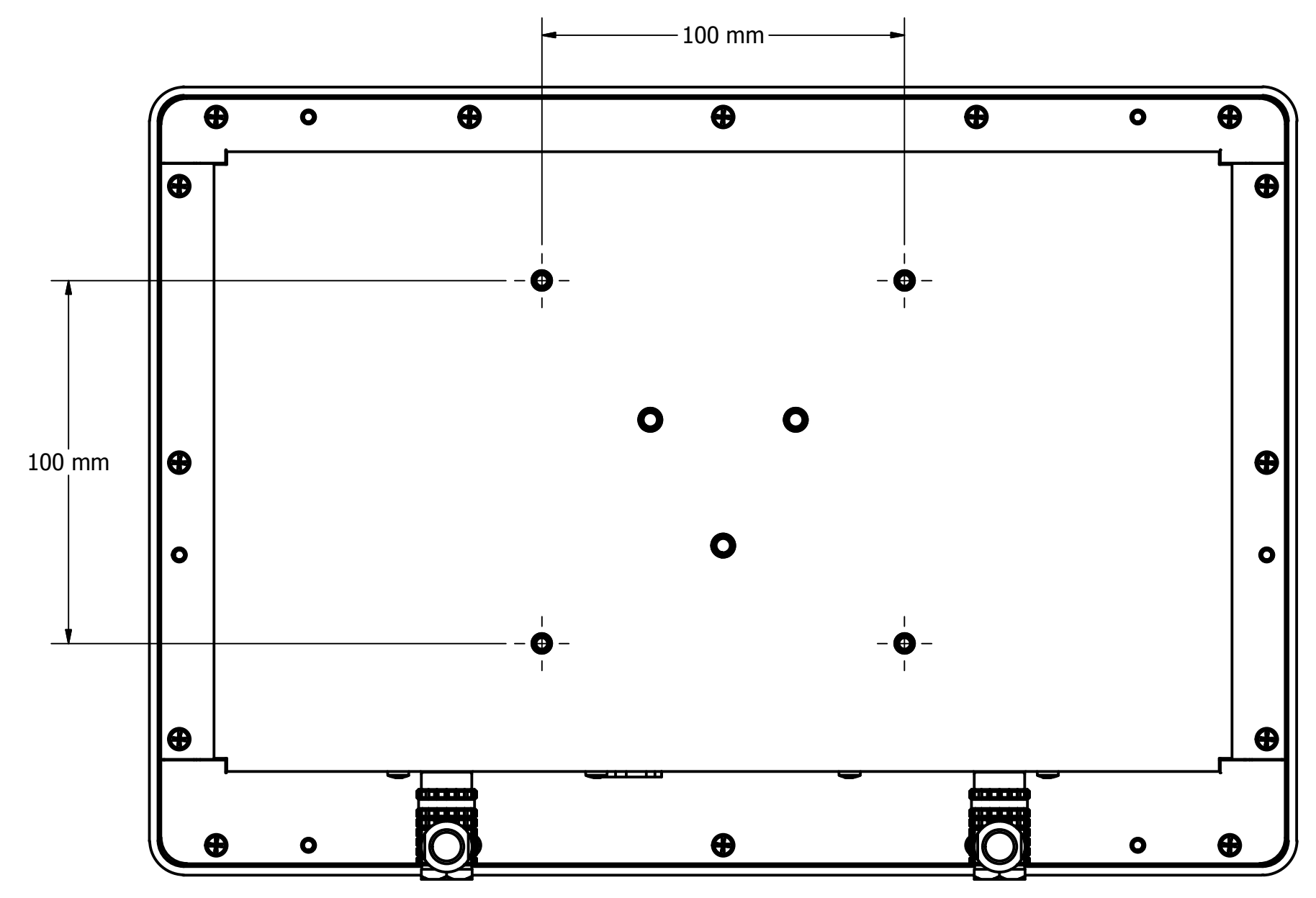
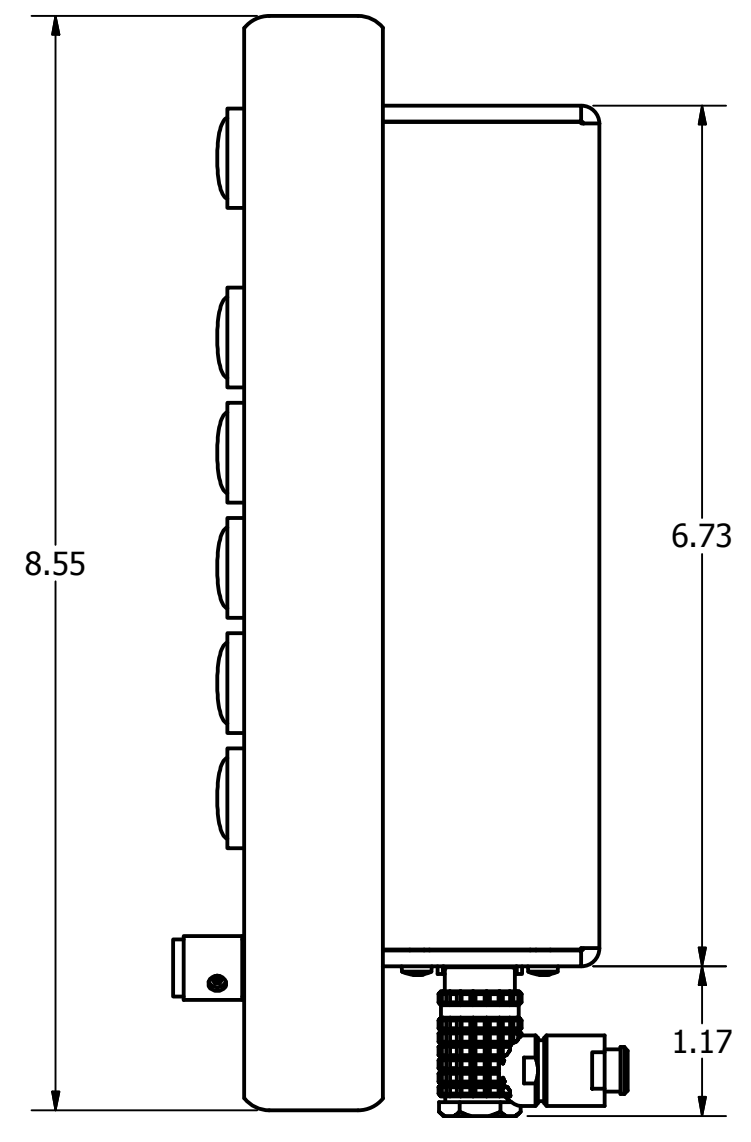
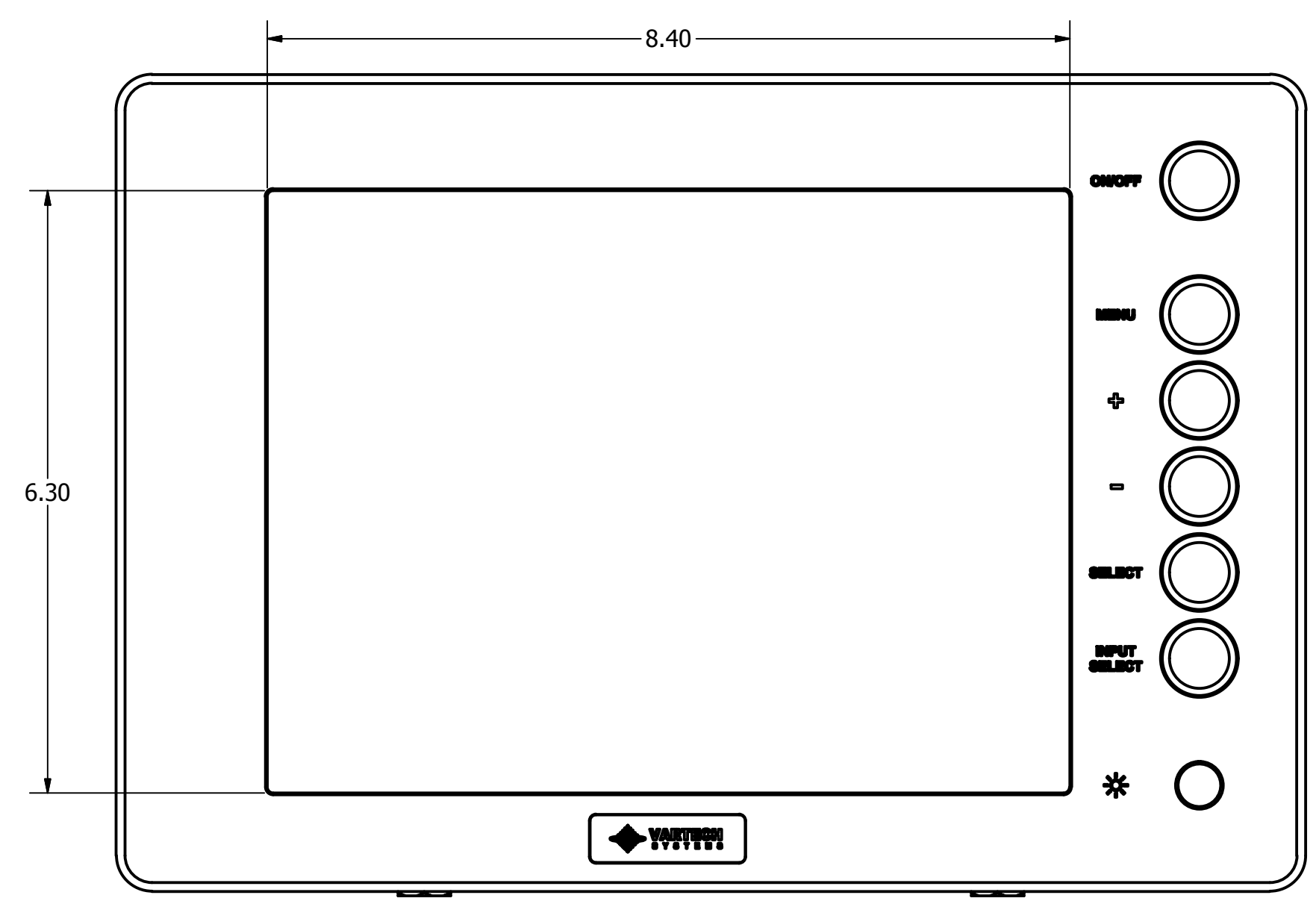
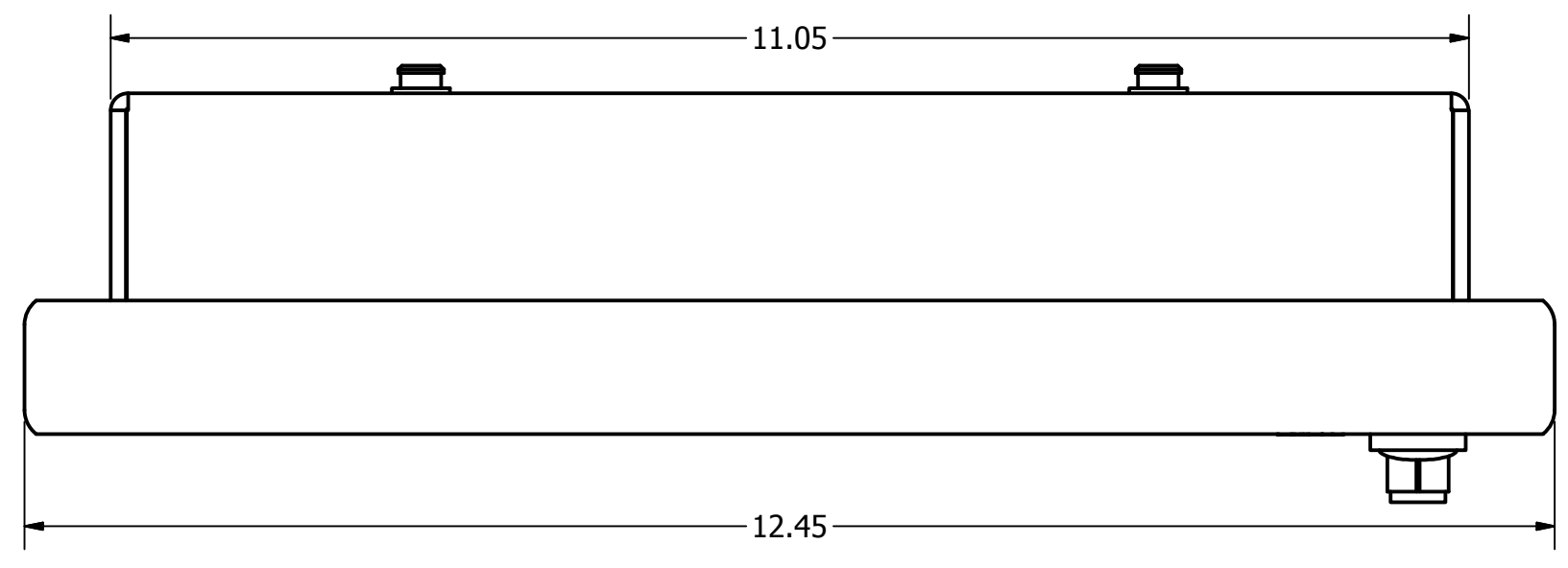


REVISION HISTORY			
REV	DESCRIPTION	INITIAL	DATE
1	NEW RELEASE	JAC	3/30/2010



DRAWN	ACarlton	3/30/2010		<b>TITLE</b> ASSY., OUTLINE, RIGHT ANGLE CONNECTORS, VGA, DC, 10.4", ALL WEATHER
CHECKED				
QA				
MFG				
APPROVED				
USED ON	MATERIAL:		SIZE D TOLERANCES: .XX = .01 .XXX = .005	DWG NO <b>800-0136-R1</b>
APPLICATION			FINISH:	REV 1