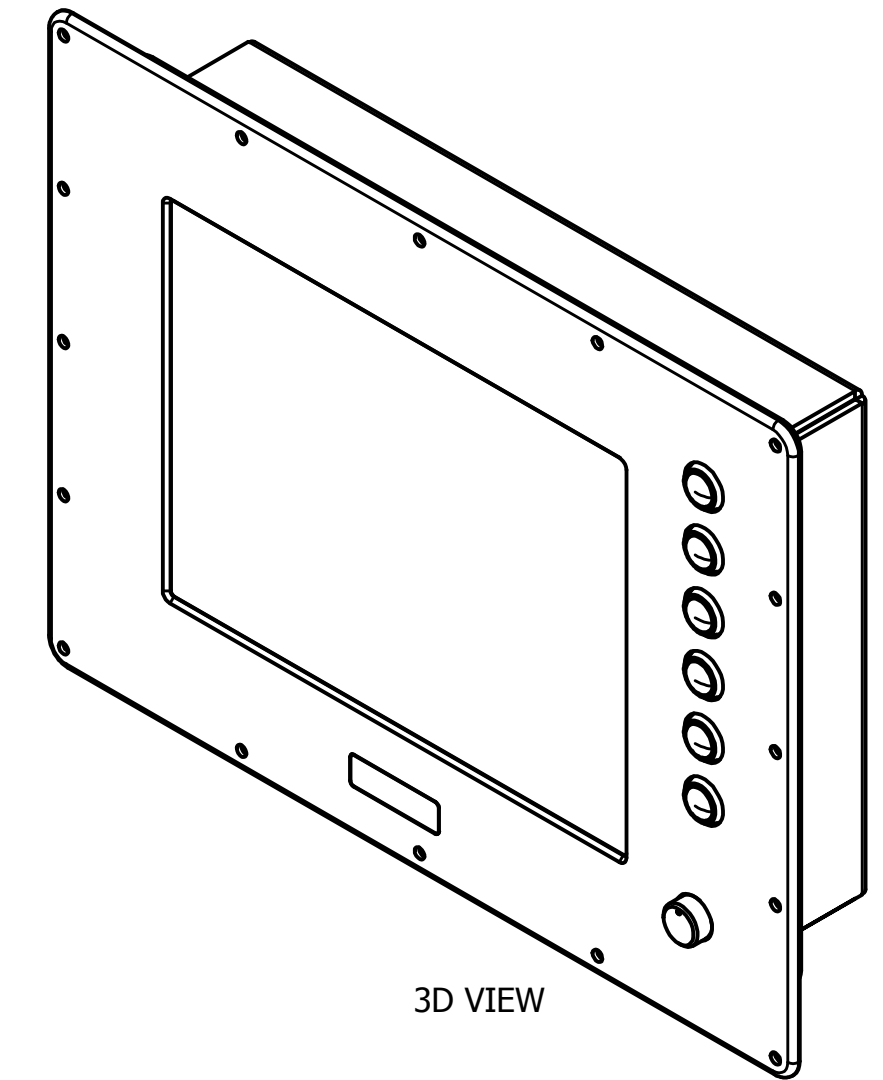
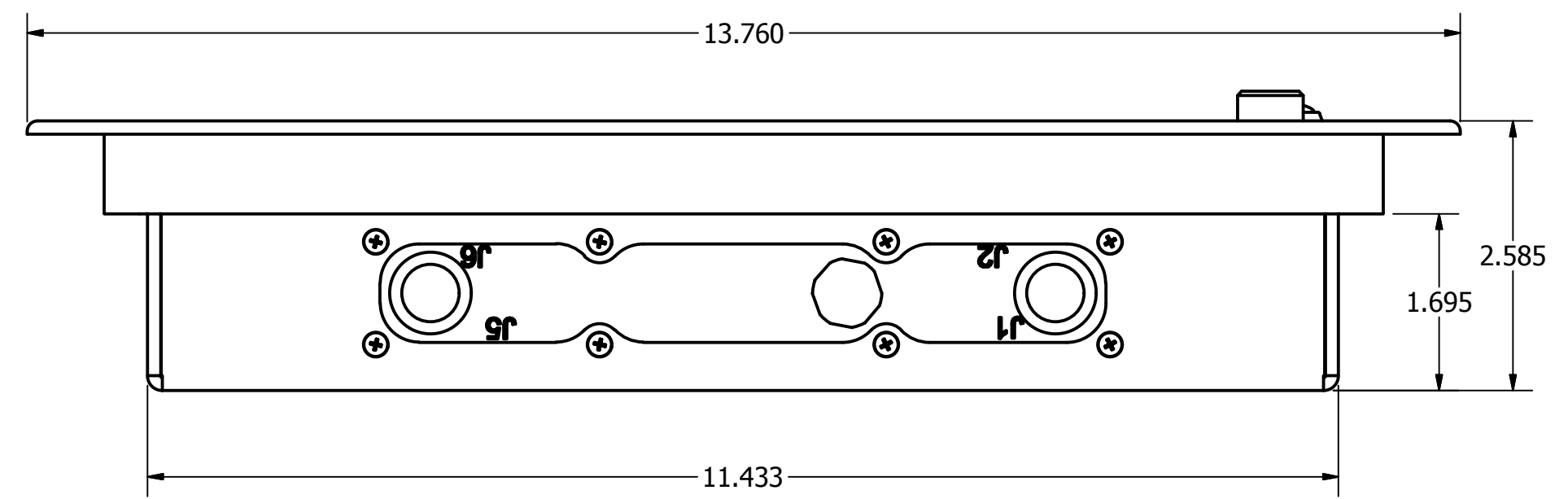
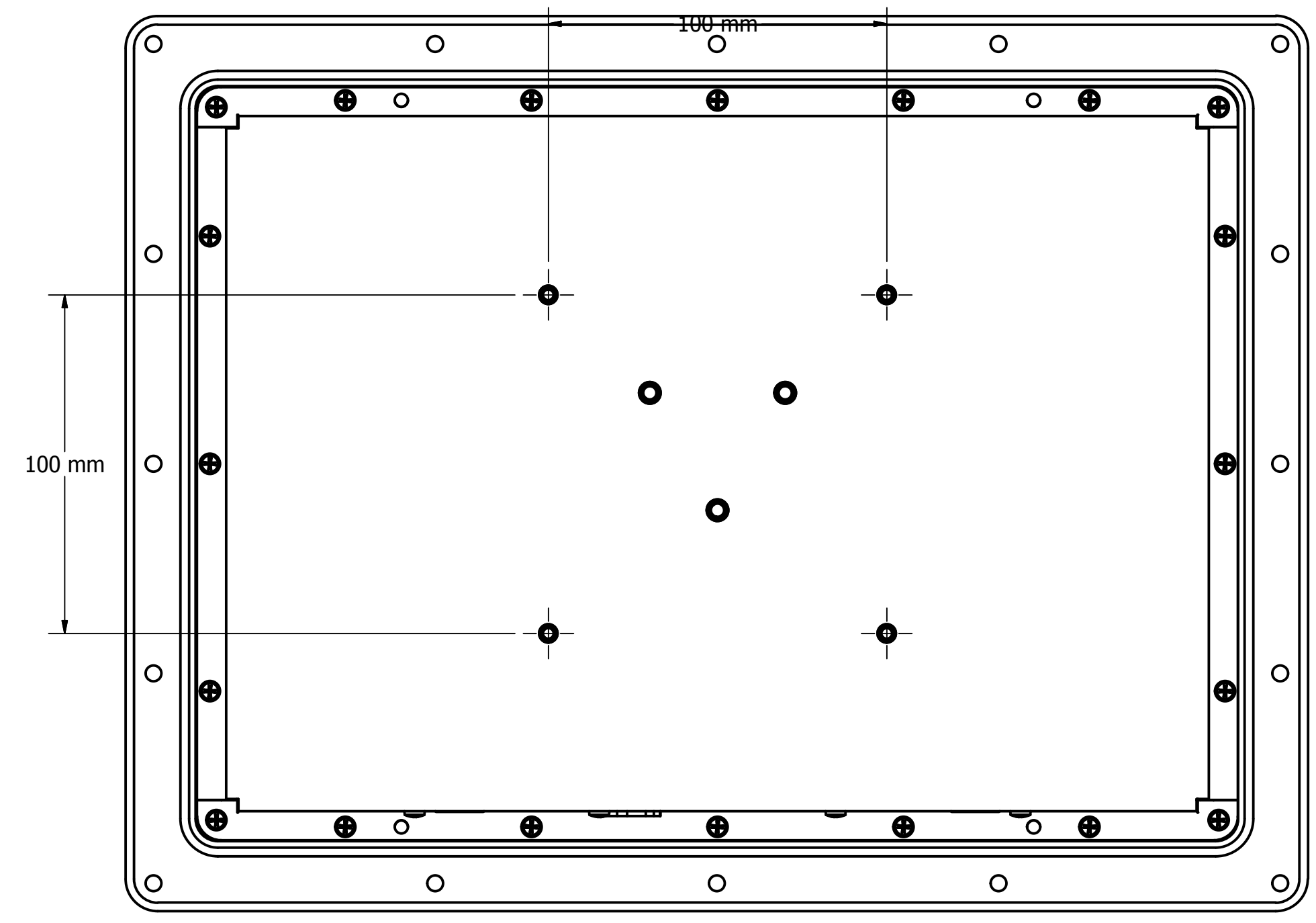
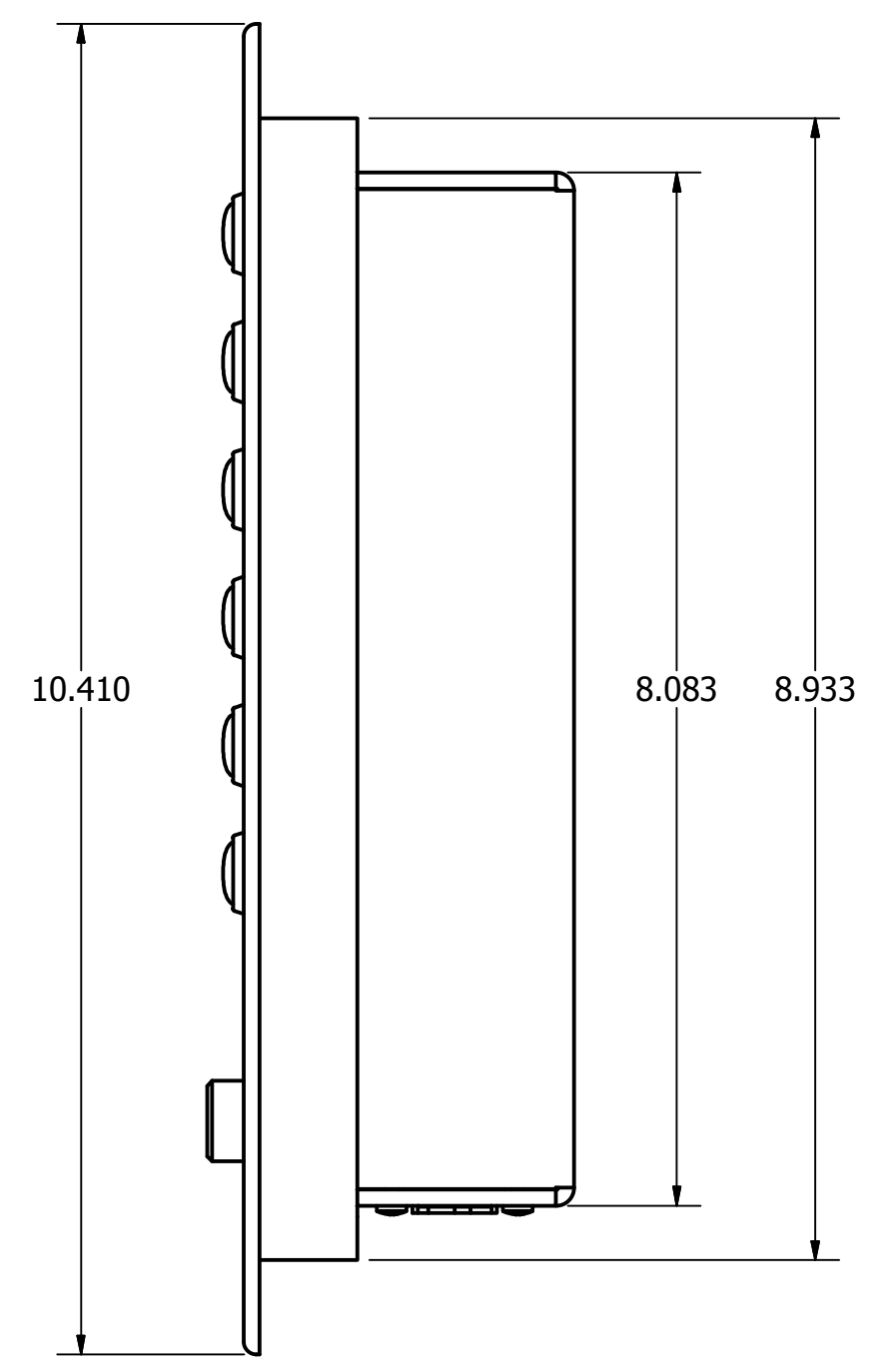
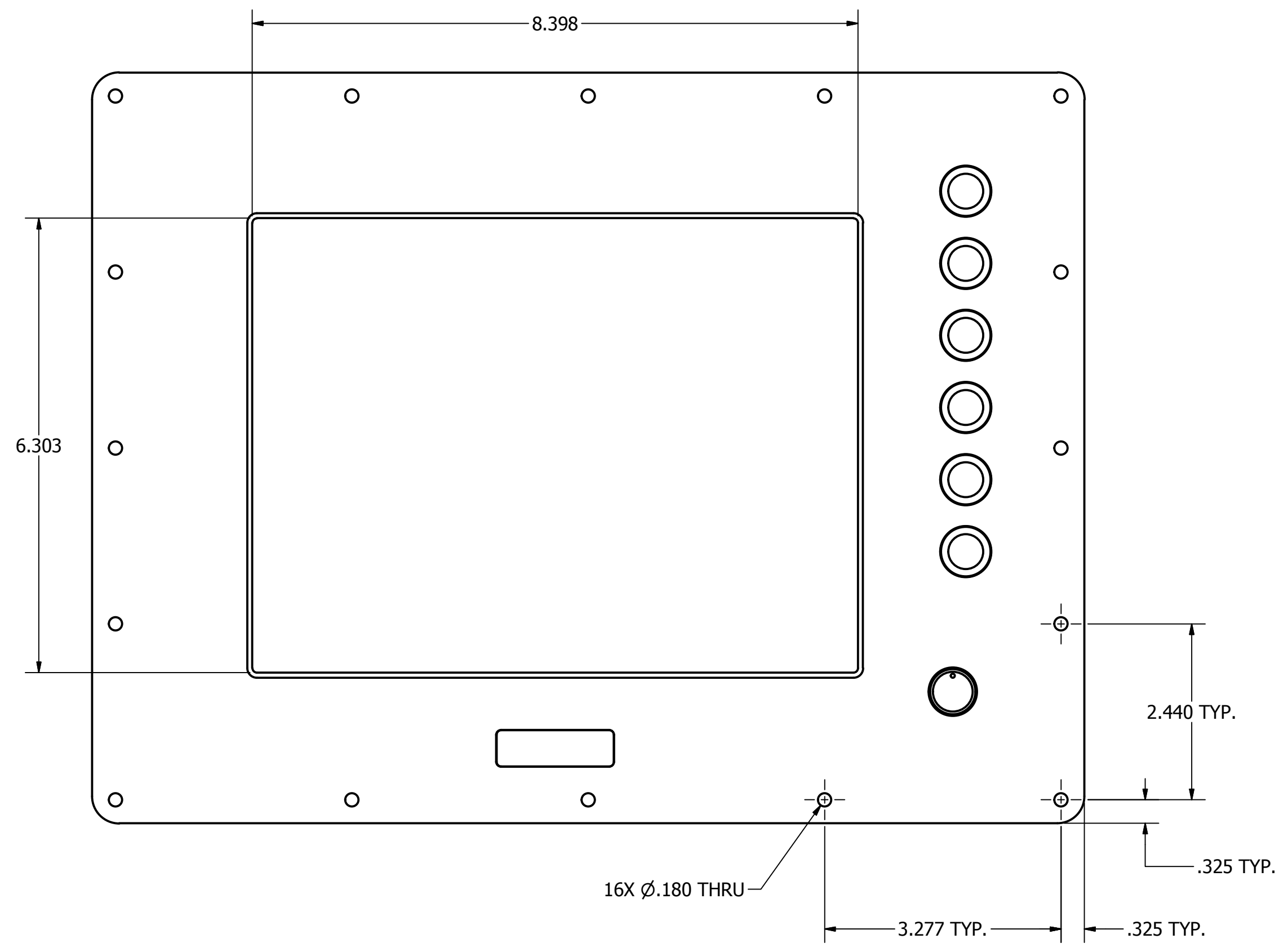


| REVISION HISTORY | | | |
|------------------|-------------|---------|-----------|
| REV | DESCRIPTION | INITIAL | DATE |
| 1 | NEW RELEASE | JAC | 5/27/2010 |



| | | | | | | |
|-------------|--------------|-----------|----------------------------|--------------------------|-------------|--------------|
| DRAWN | A Carlton | 5/27/2010 | VARTECH SYSTEMS | | | |
| CHECKED | | | | | | |
| QA | | | TITLE | | | |
| MFG | | | OUTLINE DRAWING, AW, 10.4" | | | |
| APPROVED | | | SIZE | TOLERANCES: | DWG NO | REV |
| USED ON | MATERIAL: | | D | .XX = .01 .XXX = .005 | 482-0073-00 | 1 |
| APPLICATION | | | FINISH: | | | SHEET 1 OF 1 |