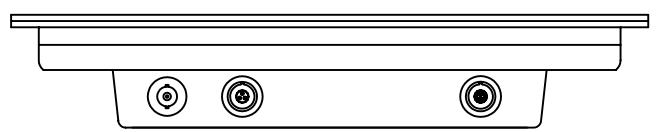
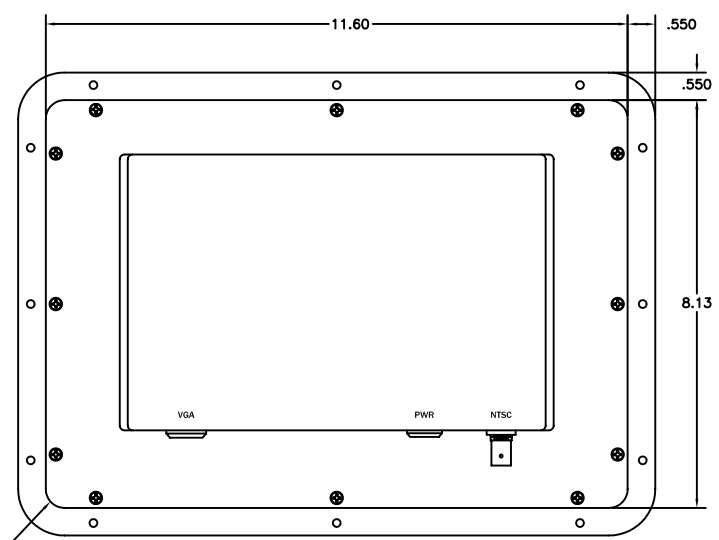
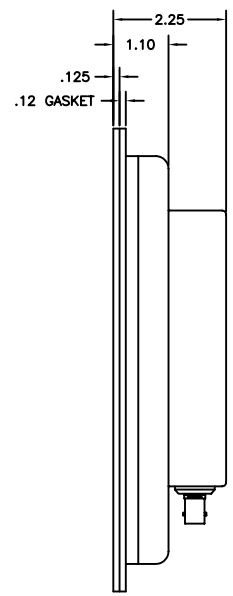
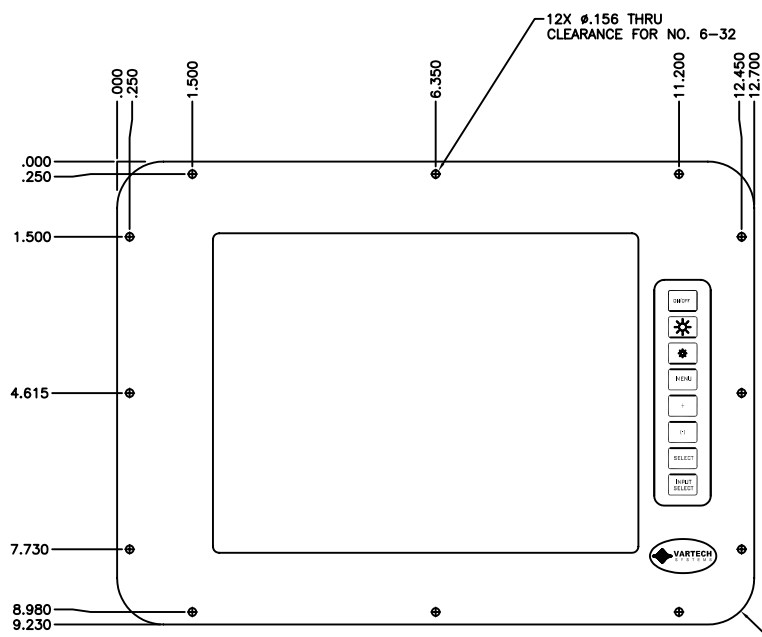


CHANGE HISTORY		
FILE INDEX	DESCRIPTION	APPROVAL INITIAL DATE
1	PRELIMINARY RELEASE	RAS 6/23/08
2	ADDED MOUNTING FLANGE GASKET	RAS 7/22/08



4X R.93

4X R.38

UNLESS OTHERWISE SPECIFIED DIMENSIONS ARE IN INCHES AND APPLY BEFORE FINISH	DRAWN	ADAM SIDLE	DATE	5/23/08	VARTECH SYSTEMS
	CHECKED				
SURFACE ROUGHNESS	TOLERANCE ON				OUTLINE DRAWING VT104XAFM FLUSH MOUNT
FRACTIONS DECIMALS ANGLES	± 1/16 ± .005 ± 1/2				
MATERIAL	MANUF	APPROVED	QA	SCALE	1 : 1
VT104XAFM	FINISH			SIZE	D
USED ON	APPLICATION			DWG NO.	601-0279
				REV	2
				FILE NUMBER:	6010279-R2
				SHEET	1 OF 1