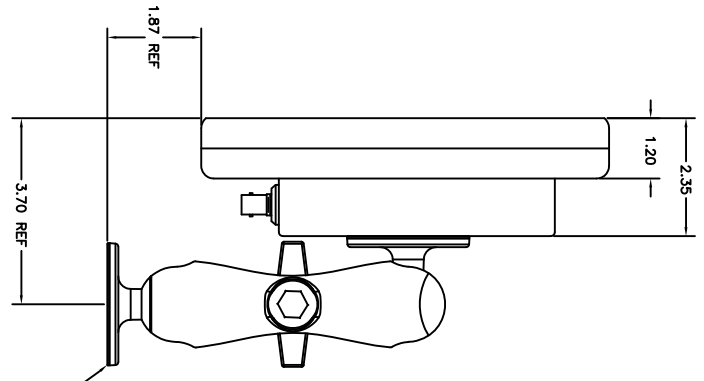
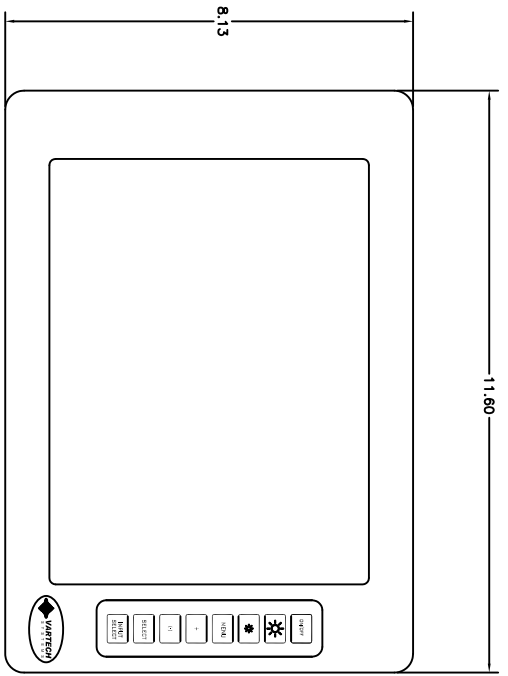
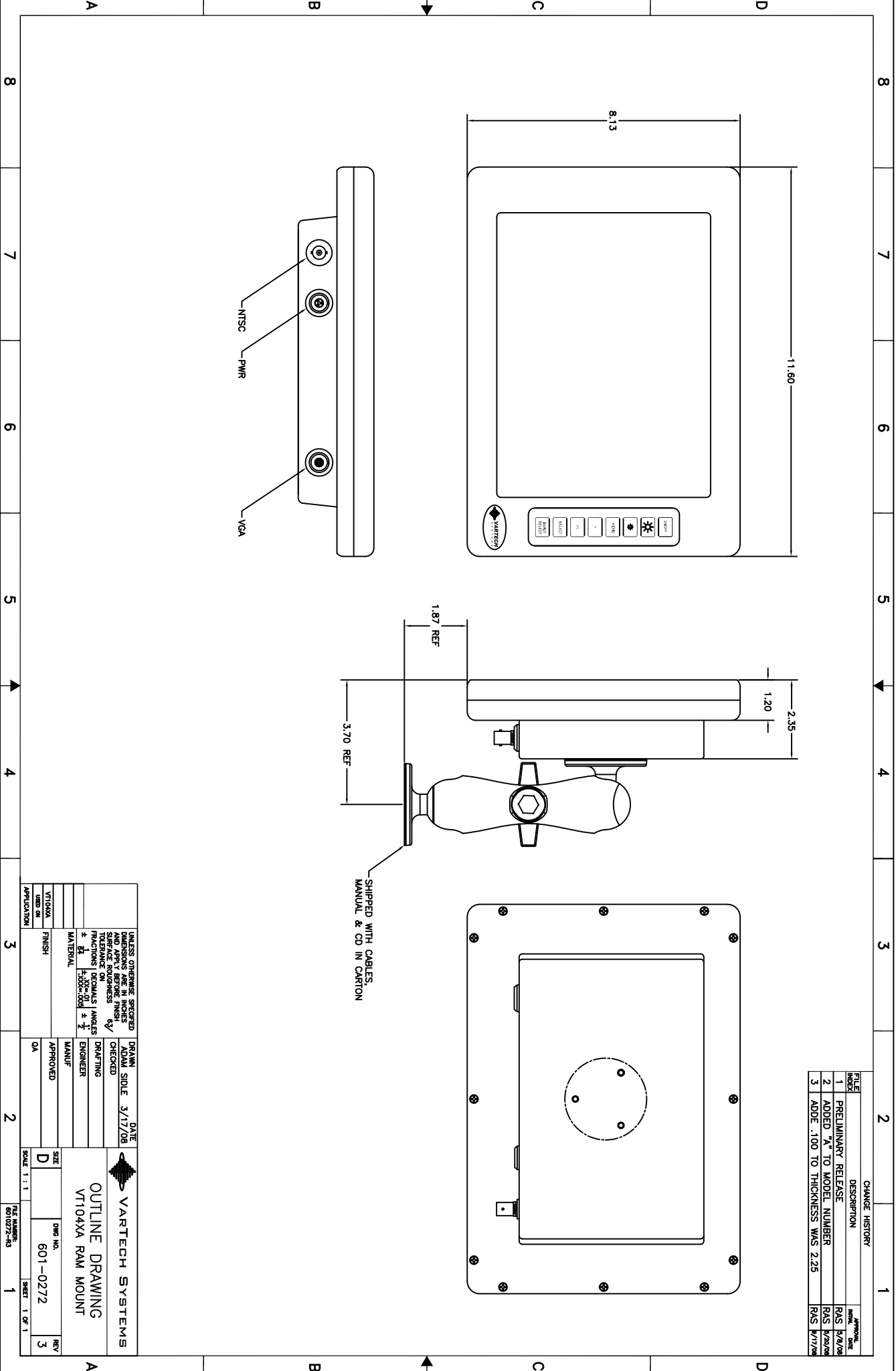
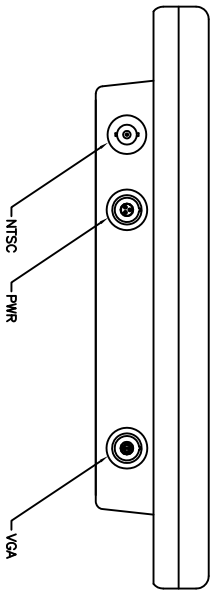
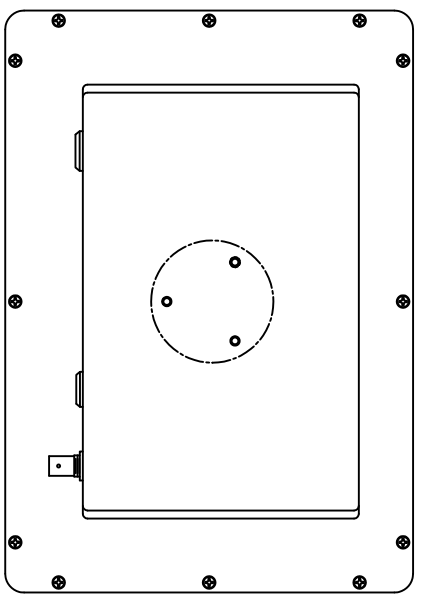


FILE INDEX	DESCRIPTION	DATE	APPROVAL
1	PRELIMINARY RELEASE	RAS 1/29/06	
2	ADDED 'A' TO MODEL NUMBER	RAS 1/29/06	
3	ADDED .100 TO THICKNESS WAS 2.25	RAS 1/17/06	

CHANGE HISTORY



SHIPPED WITH CABLES, MANUAL & CD IN CARTON



VARTECH SYSTEMS

OUTLINE DRAWING
VT104XA RAM MOUNT

DATE	3/17/06	DRAWN	MANUF
CHECKED		APPROVED	QA
UNLESS OTHERWISE SPECIFIED, MATERIALS SHALL BE AS SHOWN AND APPLY BEFORE FINISH.		DRAFTING	
SURFACE FINISHES: 6/1		ENGINEER	
DIMENSIONS: DECIMALS ANGLES		MANUF	
FRACTIONS: 1/16 1/8 1/4 3/8 1/2 5/8 3/4 7/8		APPROVED	
TOLERANCES: ± .01 ± .02 ± .03 ± .04 ± .05 ± .06 ± .07 ± .08 ± .09 ± .10		SIZE	
MATERIAL		D	
VT104XA		DWG NO.	
USED FOR		601-0272	
APPLICATION		REV	
		3	