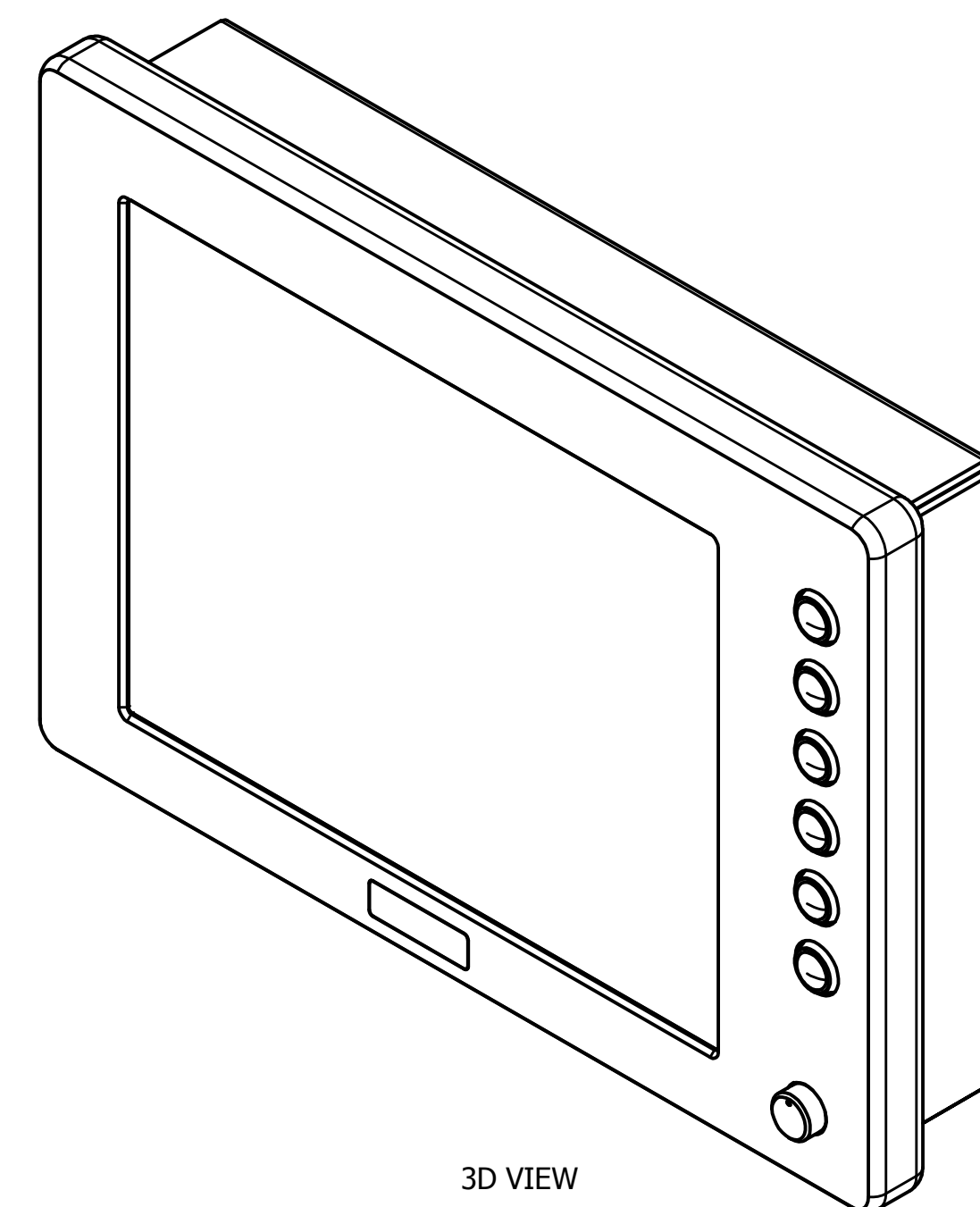
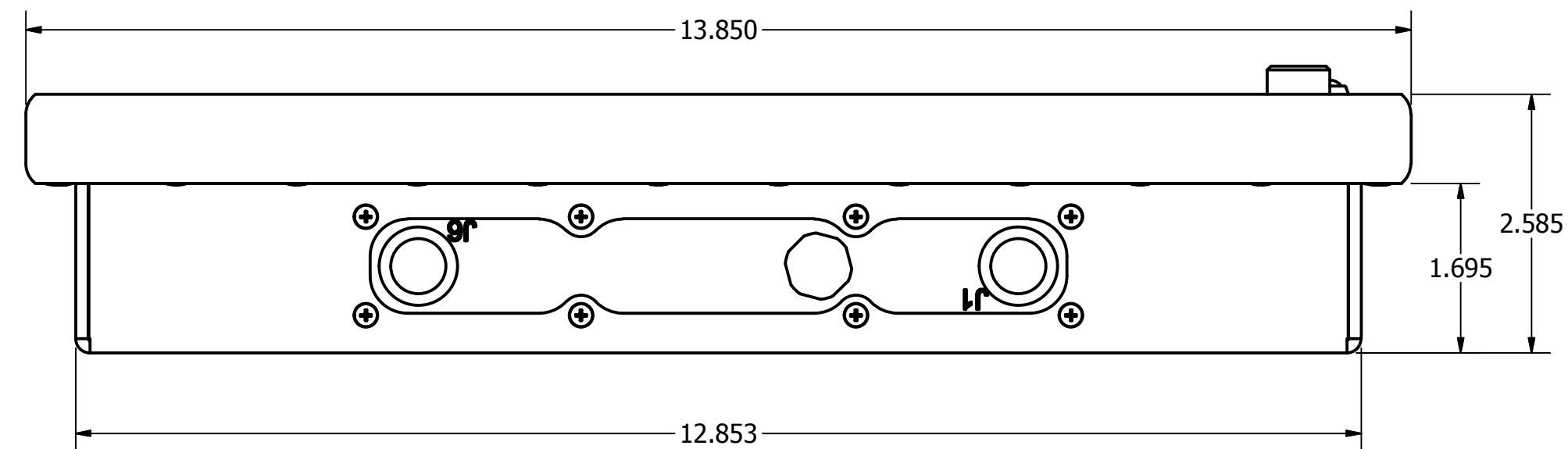
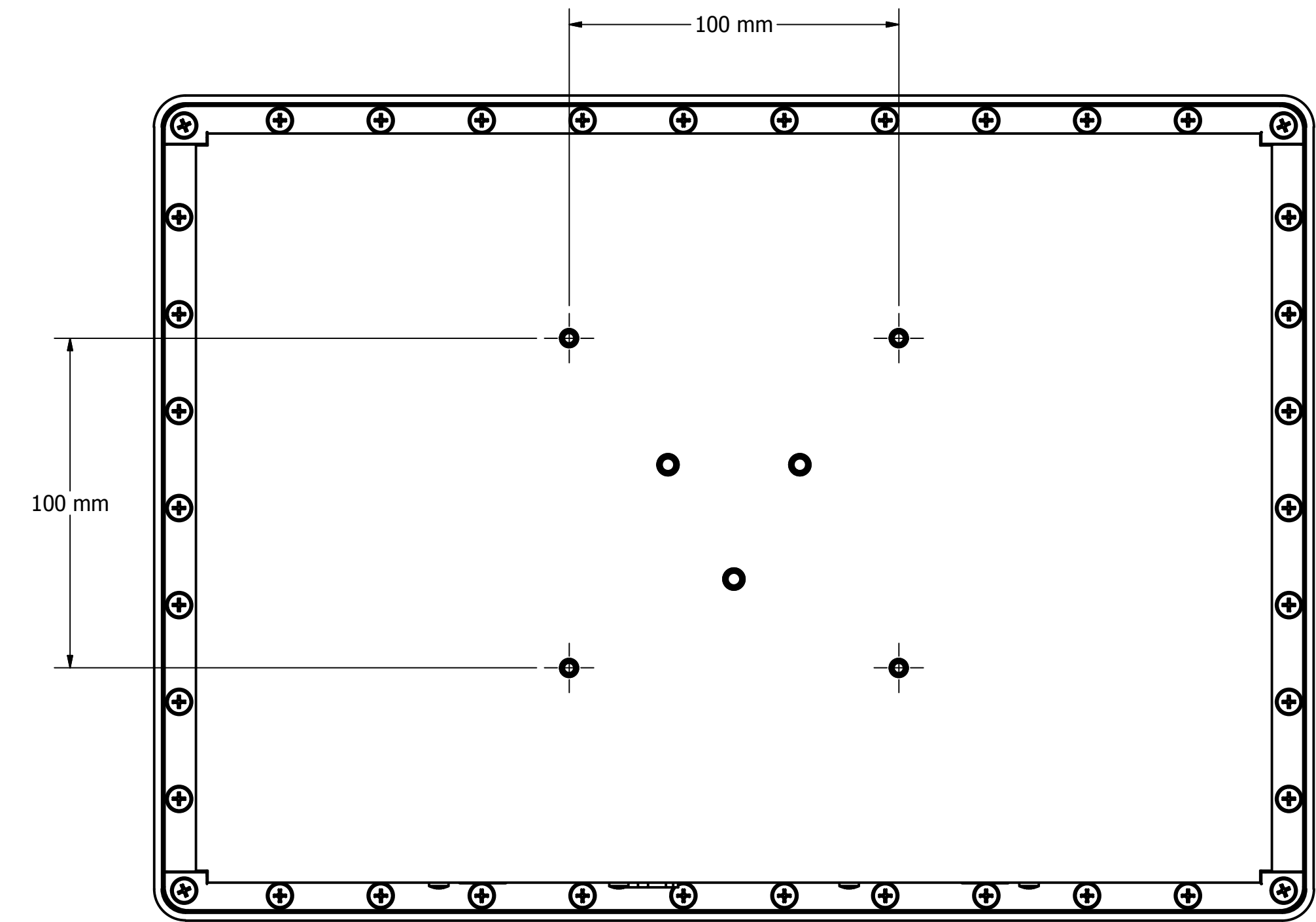
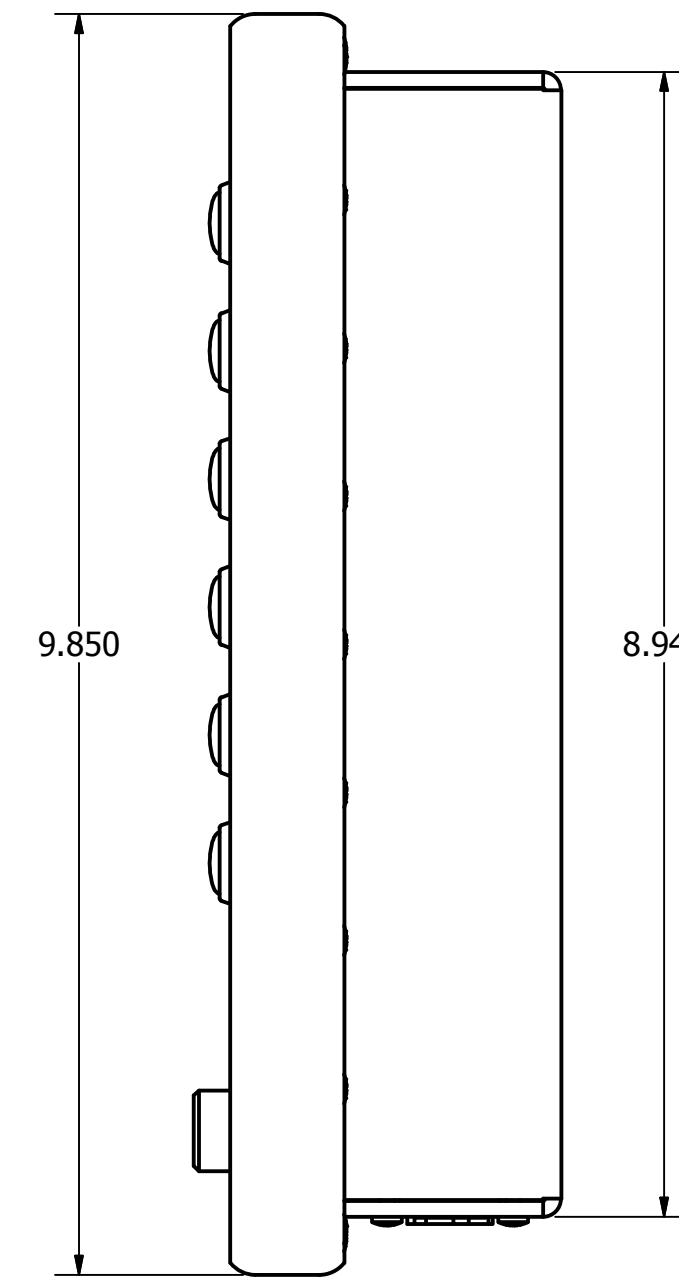
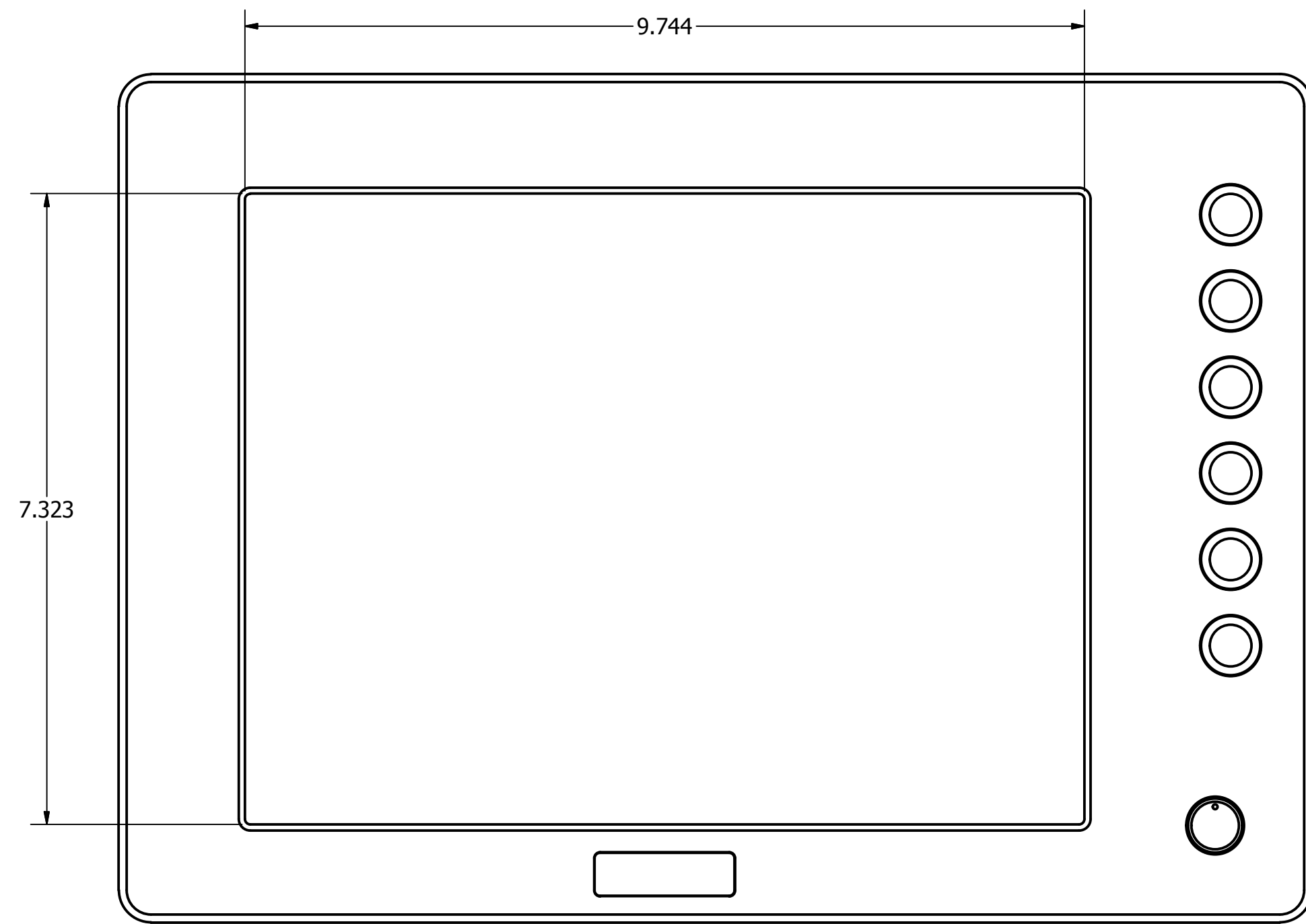



REVISION HISTORY			
REV	DESCRIPTION	INITIAL	DATE
1	NEW RELEASE	JAC	5/26/2010
2	UPDATED BUTTONS AND MOUNTING HOLES	JAC	9/2/2010

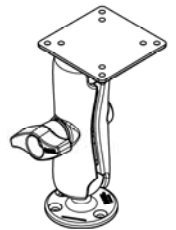
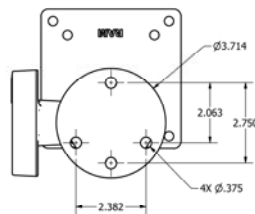
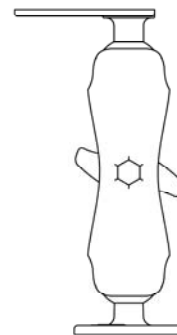
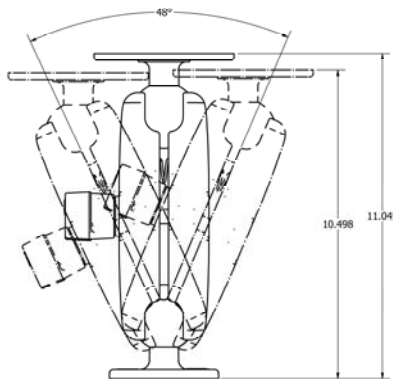
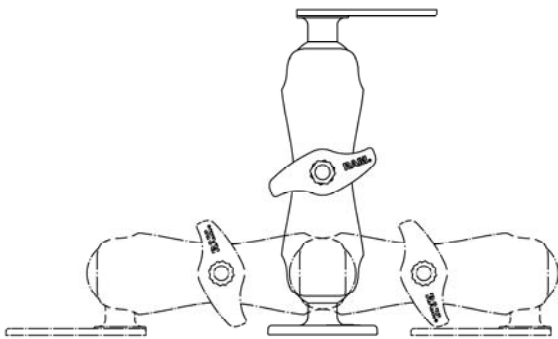
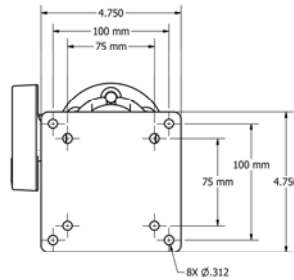


3D VIEW

DRAWN	ACarlton	5/26/2010	 VARTECH SYSTEMS			
CHECKED						
QA			TITLE OUTLINE DRAWING, AW, 12.1"			
MFG						
APPROVED						
USED ON	MATERIAL:		SIZE D	TOLERANCES: .XX = .01 .XXX = .005	DWG NO 482-0064-00-02	REV 2
APPLICATION			FINISH:		SHEET 1 OF 1	



RAM Mount Type for VT121XA4 and VT151XB4



HEADQUARTERS
11529 Sun Belt Ct.
Baton Rouge, Louisiana 70809

Phone 800.223.8050
International 001.225.298.0300
Fax 225.297.2440

E-mail sales@vartechsystems.com
Website www.vartechsystems.com