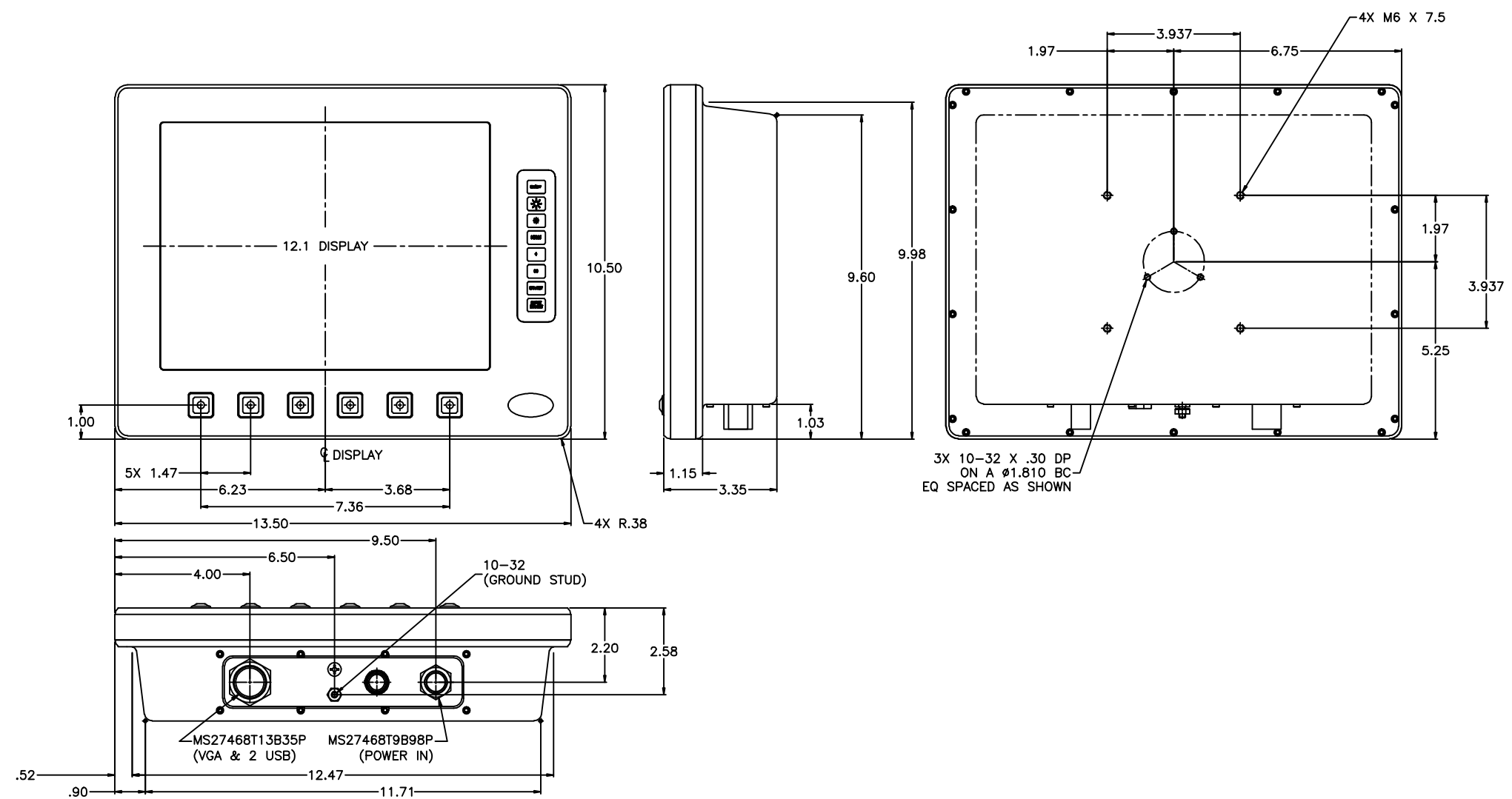


REVISION			
REV	DESCRIPTION	APPROVAL	
		INITIAL	DATE
1	INITIAL RELEASE	GC	8/14/08
2	DEFINED MS38999 CONECTORS	GC	8/25/08
3	ADDED VIEW A	GC	8/26/08
4	MVD (6) PB SW, CHG RD SW TO SQ SW, 3.45 WAS 3.50	GC	9/24/08
5	ADDED: DIMS, METRIC CALLOUTS, GROUND STUD	GC	11NOV08



NOTES:  
1. ESTIMATED WEIGHT: 12 LBS

UNLESS OTHERWISE SPECIFIED DIMENSIONS ARE IN INCHES AND APPLY BEFORE FINISH SURFACE ROUGHNESS 63 ✓ TOLERANCE ON FRACTIONS   DECIMALS   ANGLES $\pm \frac{1}{64}$   $\pm .XX=.01$   $\pm \frac{1}{2}$ $\pm .XXX=.005$	DRAWN G COSTEA 8/14/08	<b>VARTECH SYSTEMS</b>  OUTLINE, 12.1" DISPLAY VT121XA, (ALL WEATHER)
	CHECKED	
	DRAFTING	
	ENGINEER JOHN LAVIN 8/14/08	
MATERIAL	MANUF	SIZE D
FINISH	APPROVED	DWG NO. 601-0290
APPLICATION	QA	REV 5
		SCALE 1:1
		FILE NUMBER: 6010290-R5
		SHEET 1 OF 1

