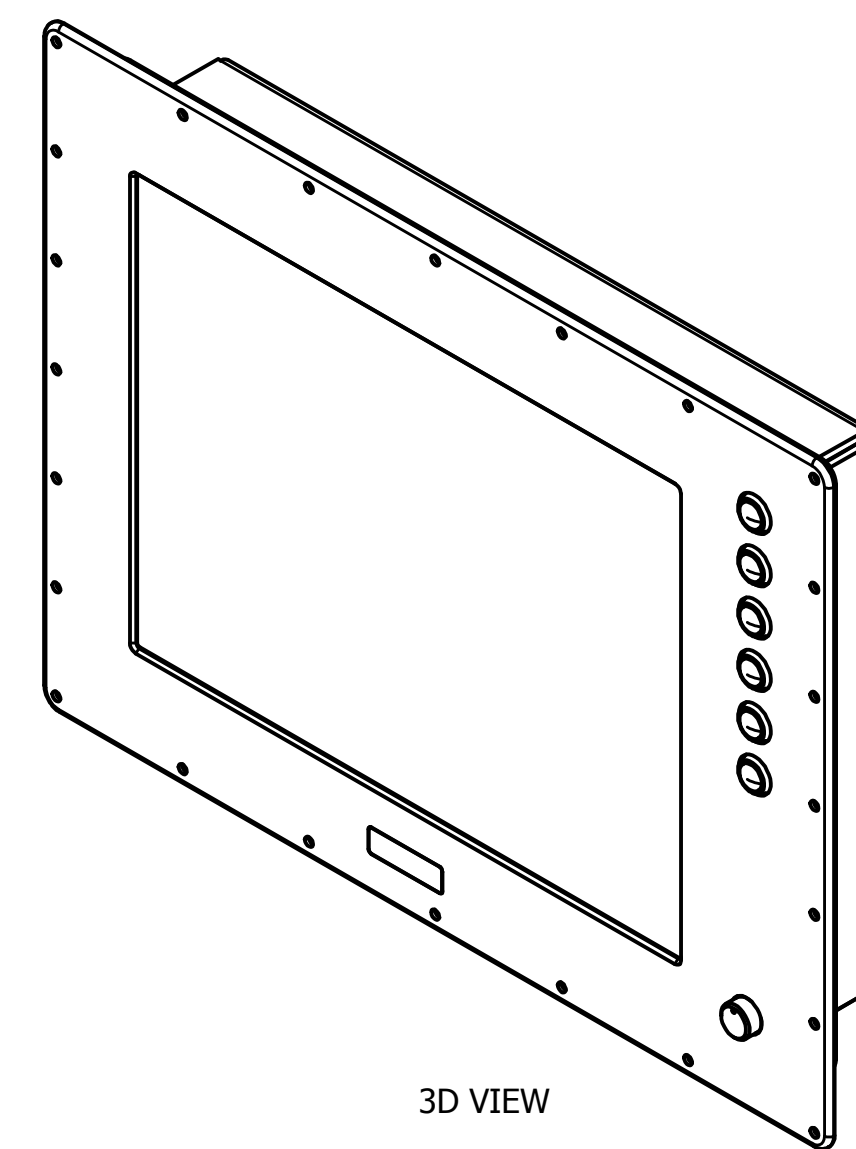
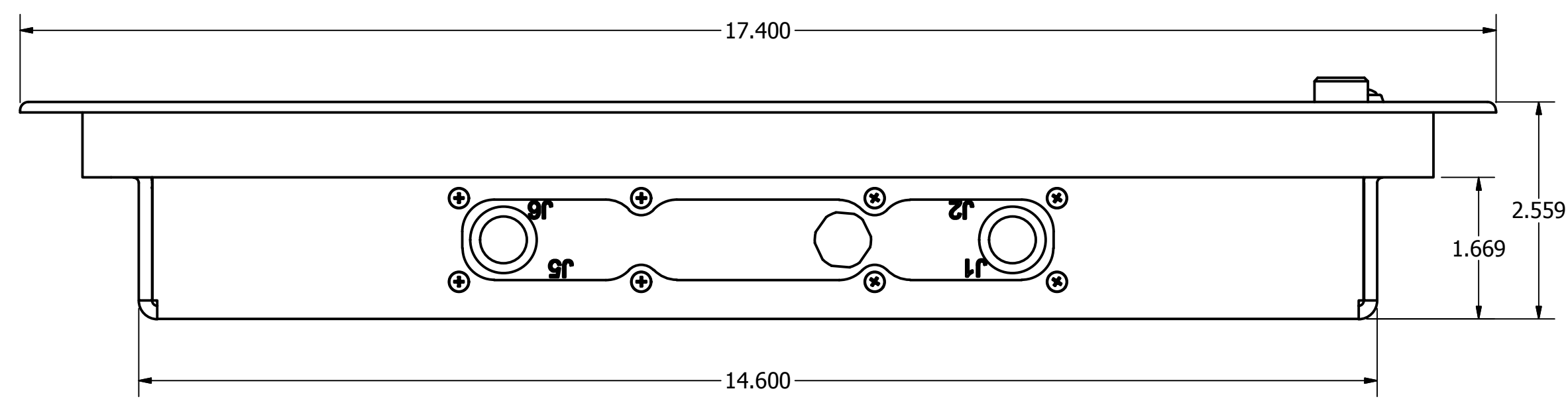
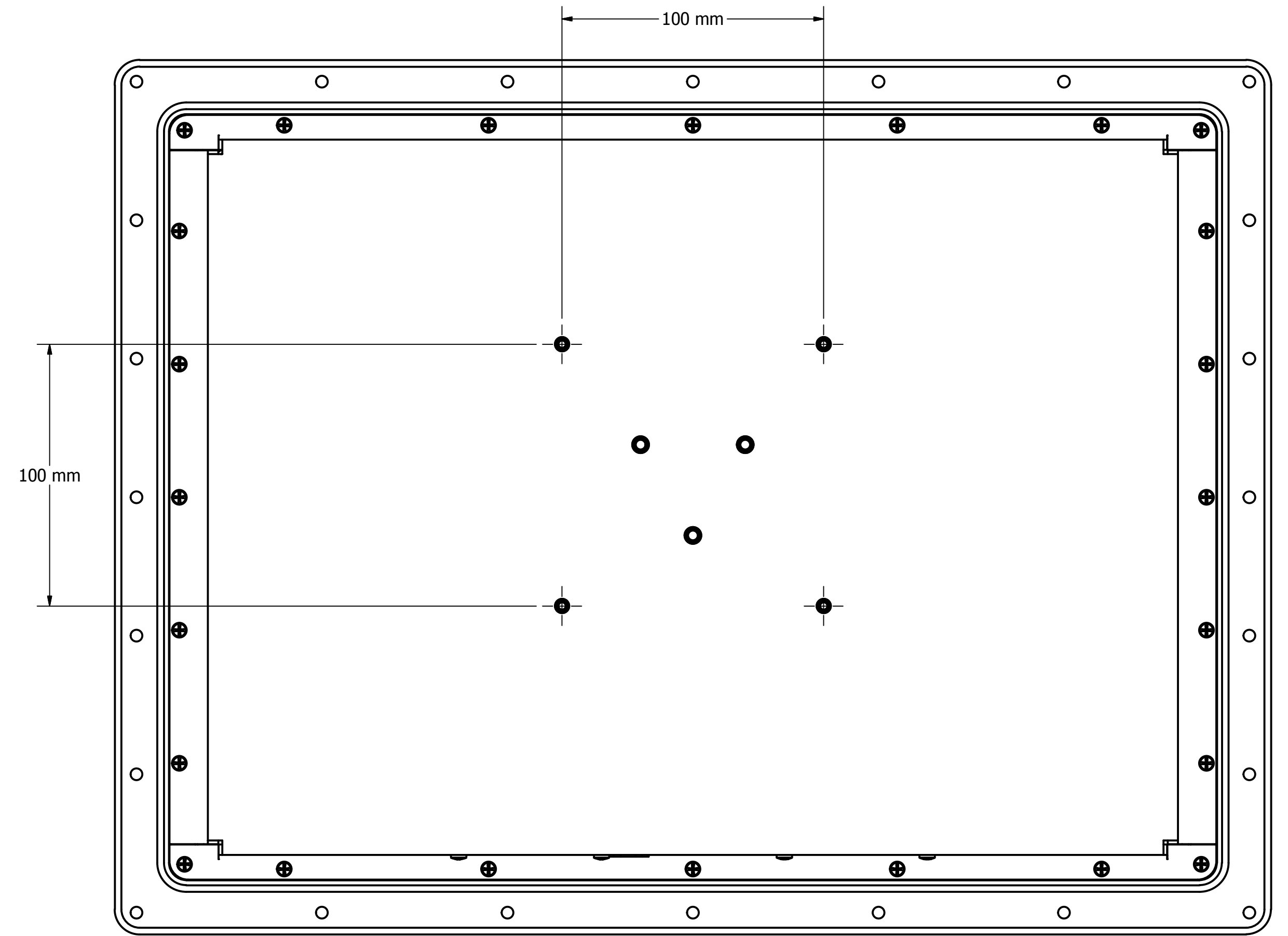
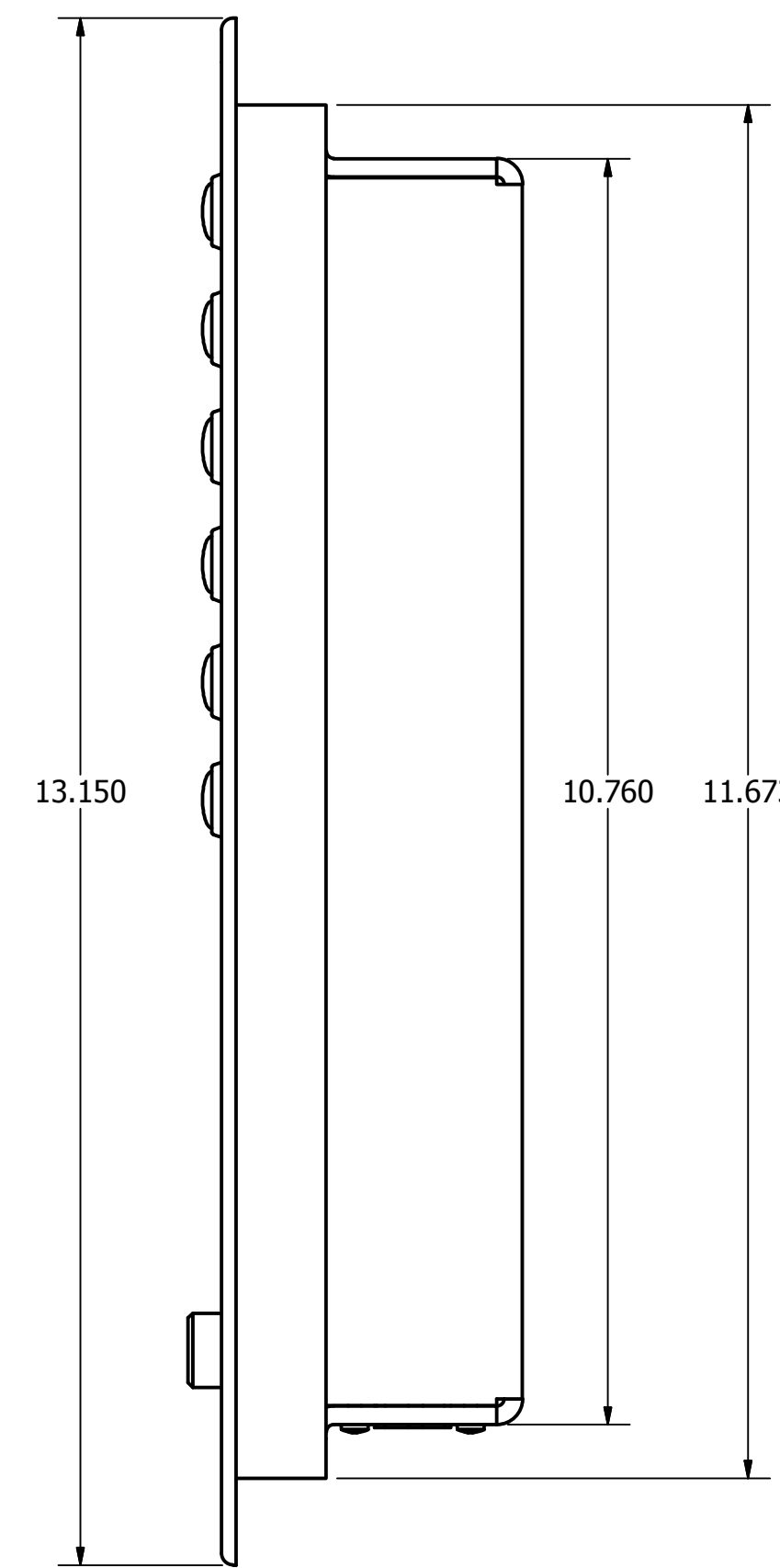
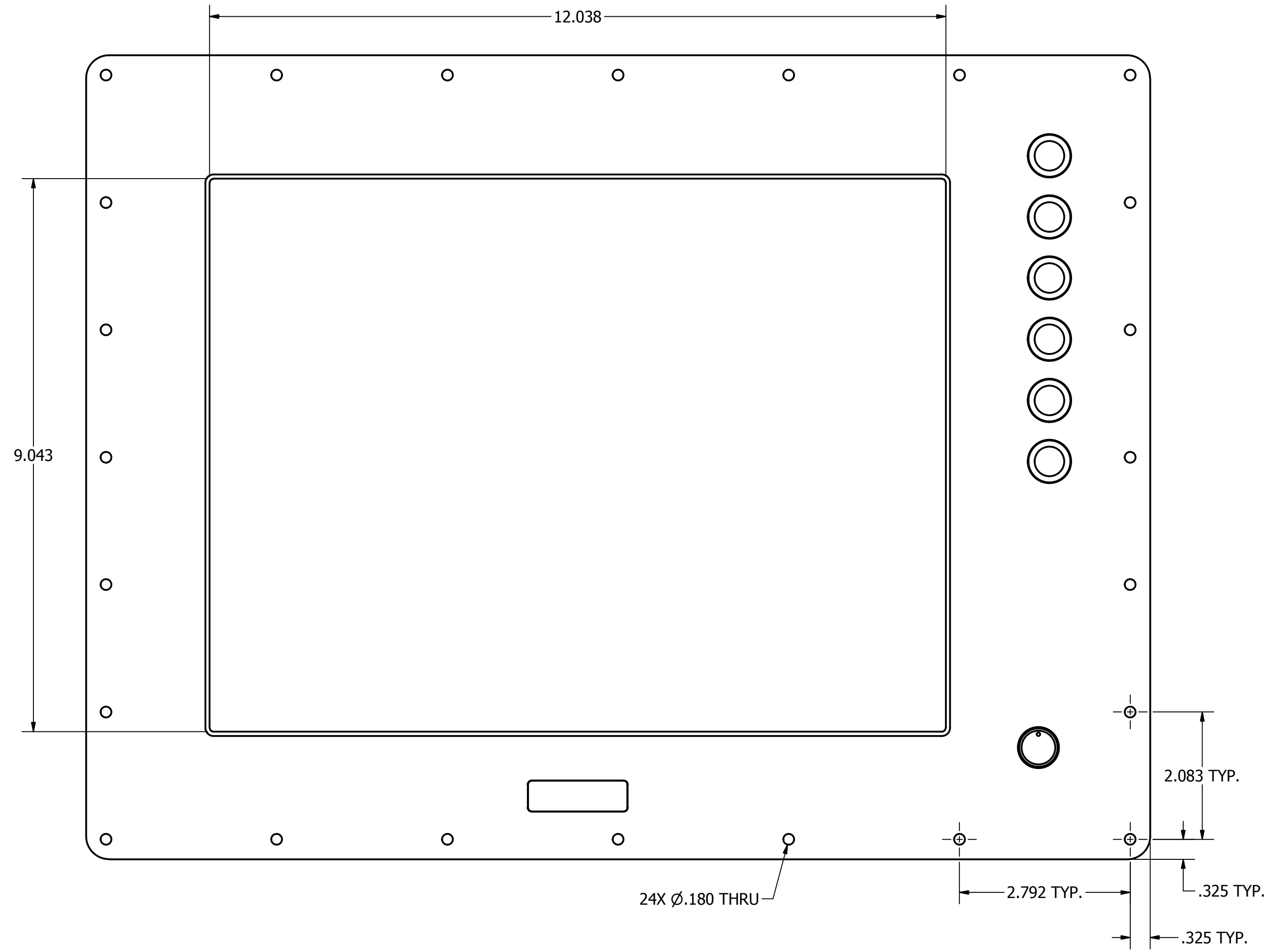


REVISION HISTORY			
REV	DESCRIPTION	INITIAL	DATE
1	NEW RELEASE	JAC	5/26/2010



3D VIEW

DRAWN	A Carlton	5/26/2010	 <b>VARTECH SYSTEMS</b>			
CHECKED						
QA			TITLE			
MFG			OUTLINE DRAWING, XGA, 15.0"			
APPROVED			SIZE	TOLERANCES:	DWG NO	REV
USED ON	MATERIAL:		D	.XX = .01 .XXX = .005	482-0071-00	1
APPLICATION			FINISH:			SHEET 1 OF 1