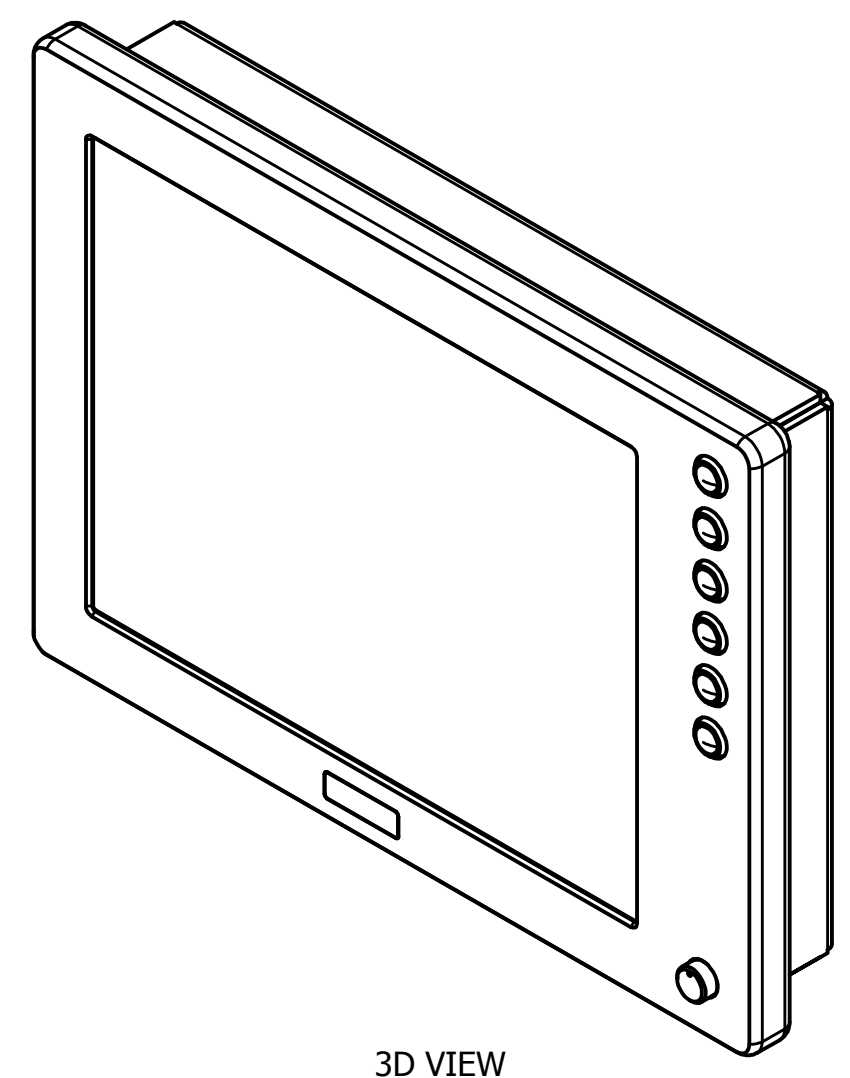
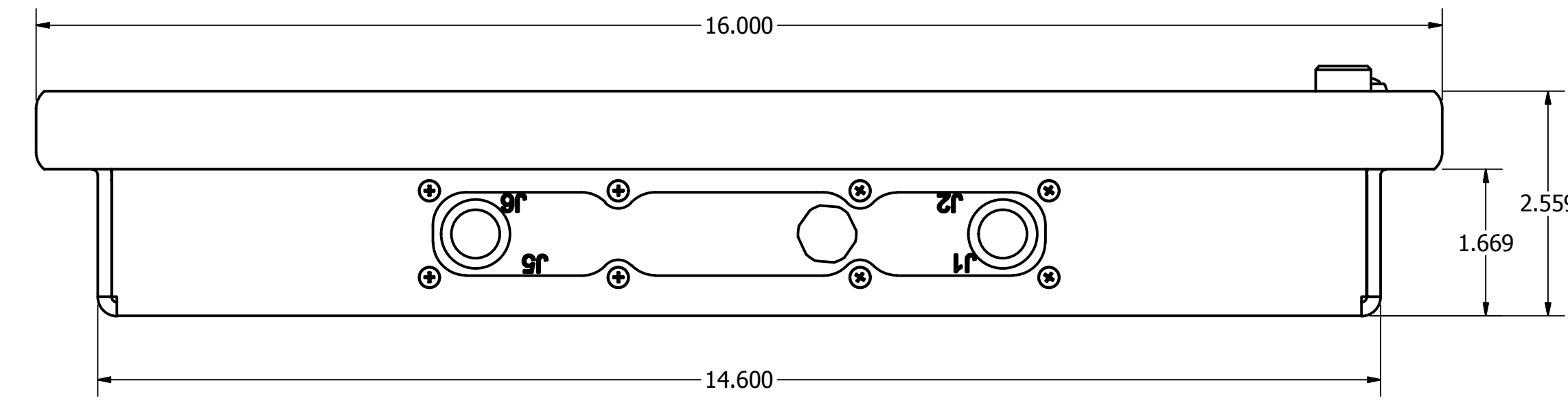
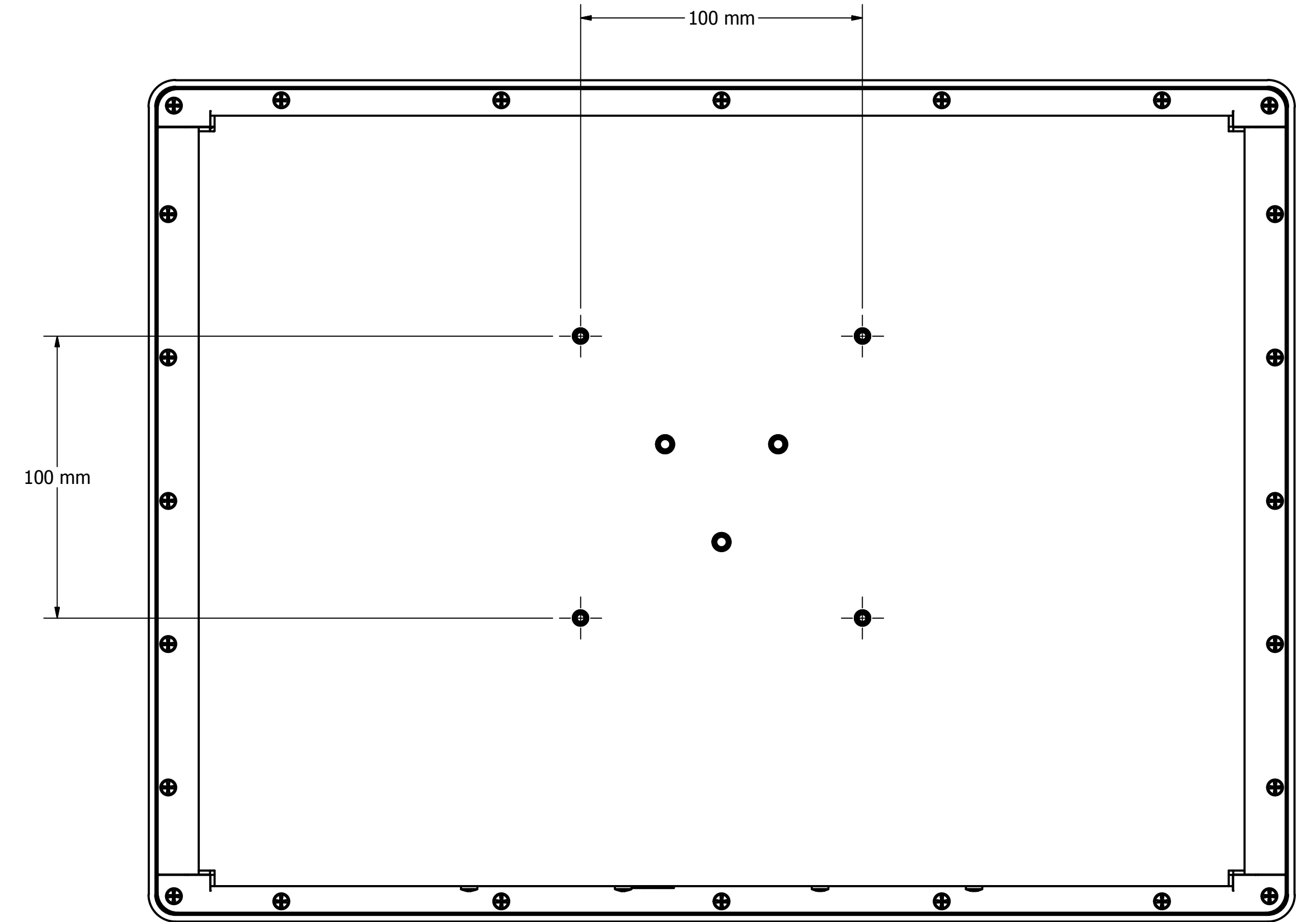
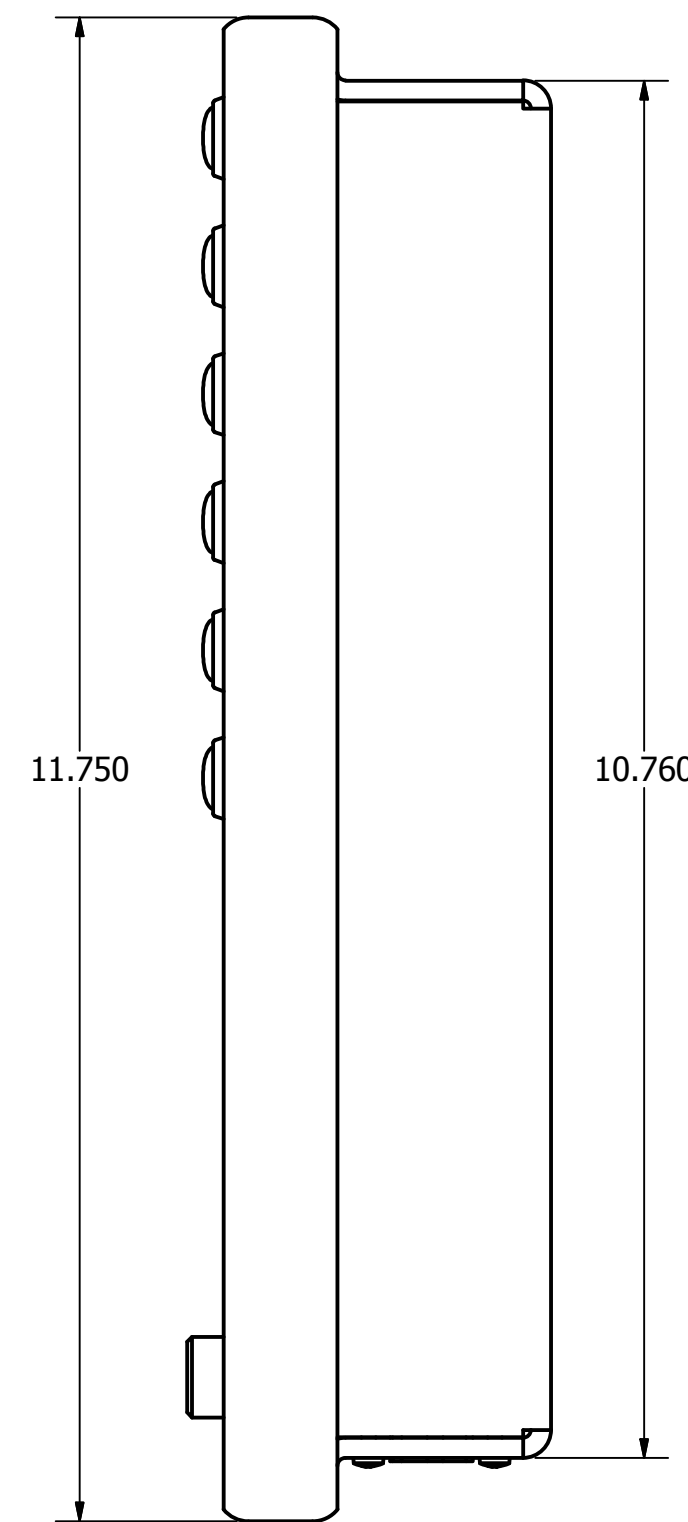
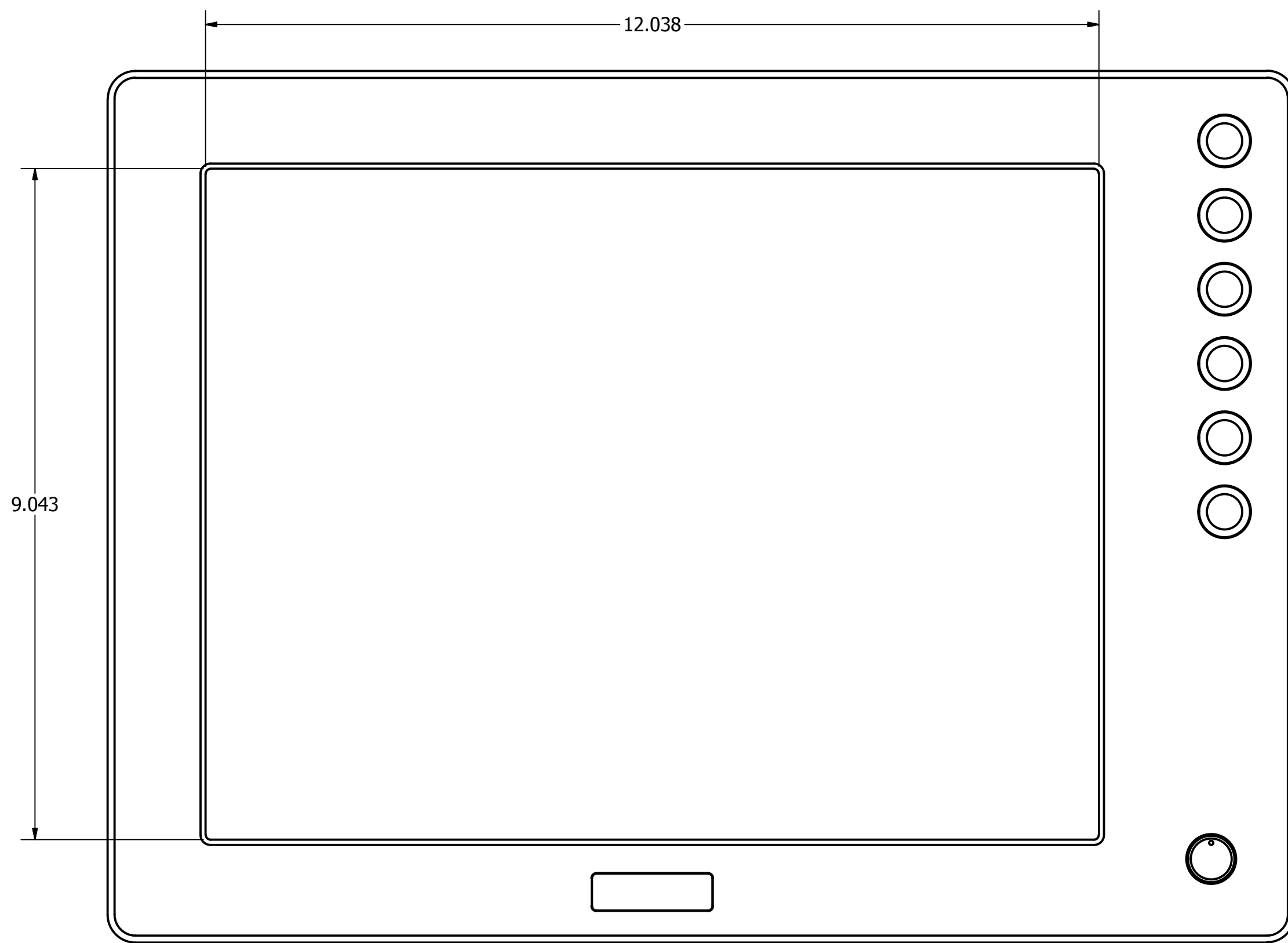



| REVISION HISTORY | | | |
|------------------|-------------|---------|-----------|
| REV | DESCRIPTION | INITIAL | DATE |
| 1 | NEW RELEASE | JAC | 5/26/2010 |

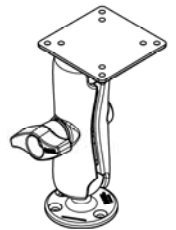
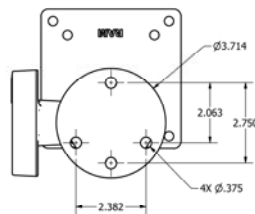
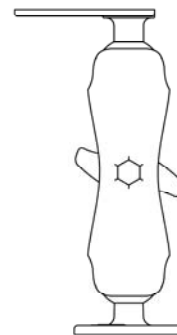
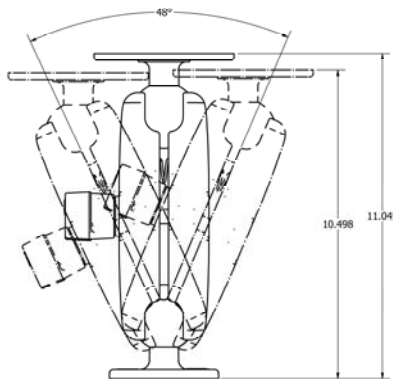
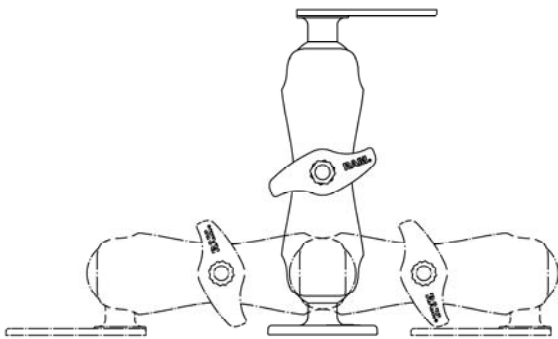
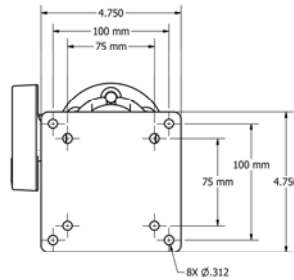


3D VIEW

| | | | | | | |
|-------------|--------------|-----------|---|--------------------------|----------|--------------|
| DRAWN | A Carlton | 5/26/2010 |  VARTECH SYSTEMS | | | |
| CHECKED | | | | | | |
| QA | | | TITLE | | | |
| MFG | | | OUTLINE DRAWING, XGA, 15.0" | | | |
| APPROVED | | | SIZE | TOLERANCES: | DWG NO | REV |
| USED ON | MATERIAL: | | D | .XX = .01 .XXX = .005 | 482-0063 | 1 |
| APPLICATION | | | FINISH: | | | SHEET 1 OF 1 |



RAM Mount Type for VT121XA4 and VT151XB4



HEADQUARTERS
11529 Sun Belt Ct.
Baton Rouge, Louisiana 70809

Phone 800.223.8050
International 001.225.298.0300
Fax 225.297.2440

E-mail sales@vartechsystems.com
Website www.vartechsystems.com