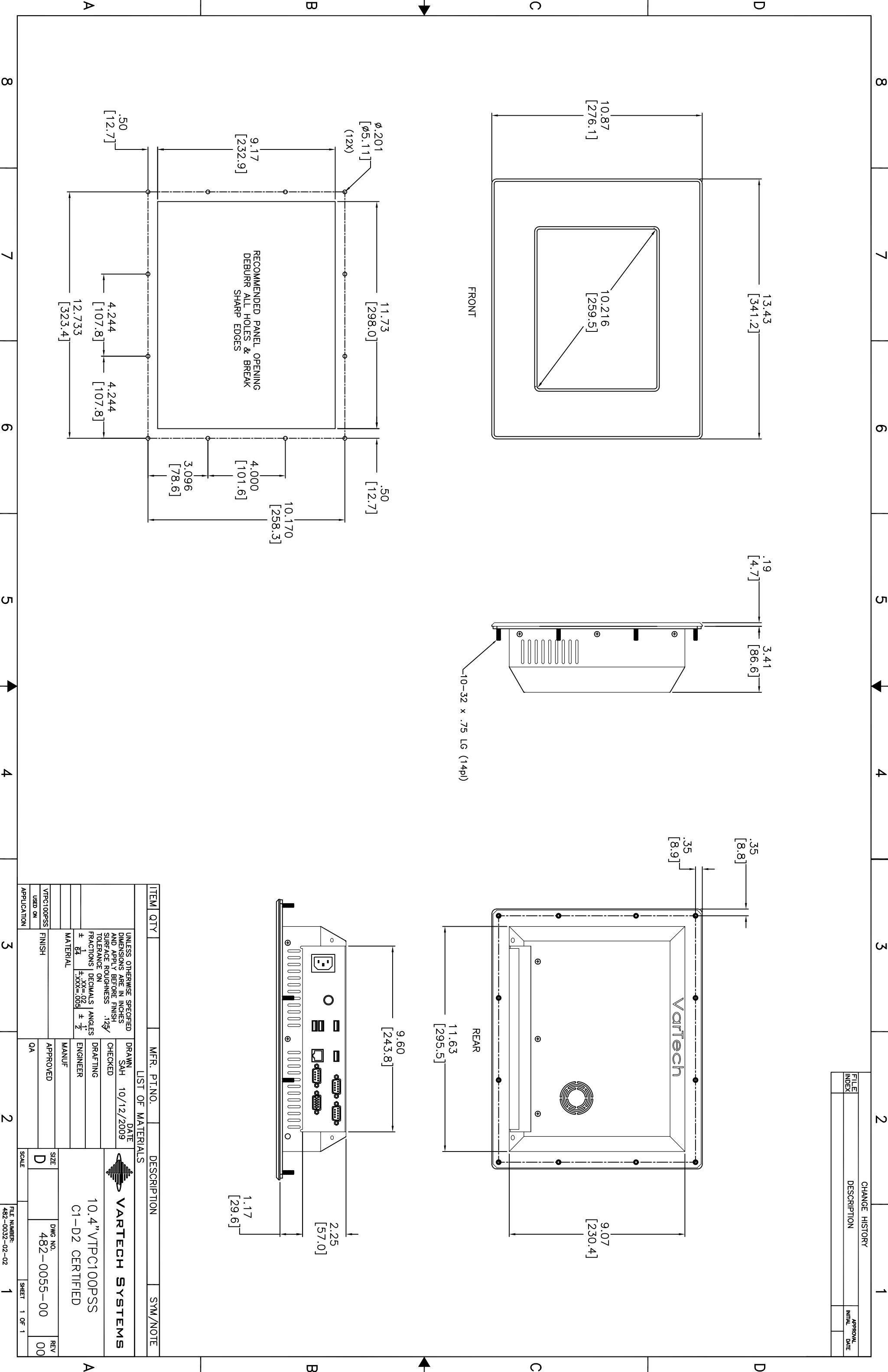
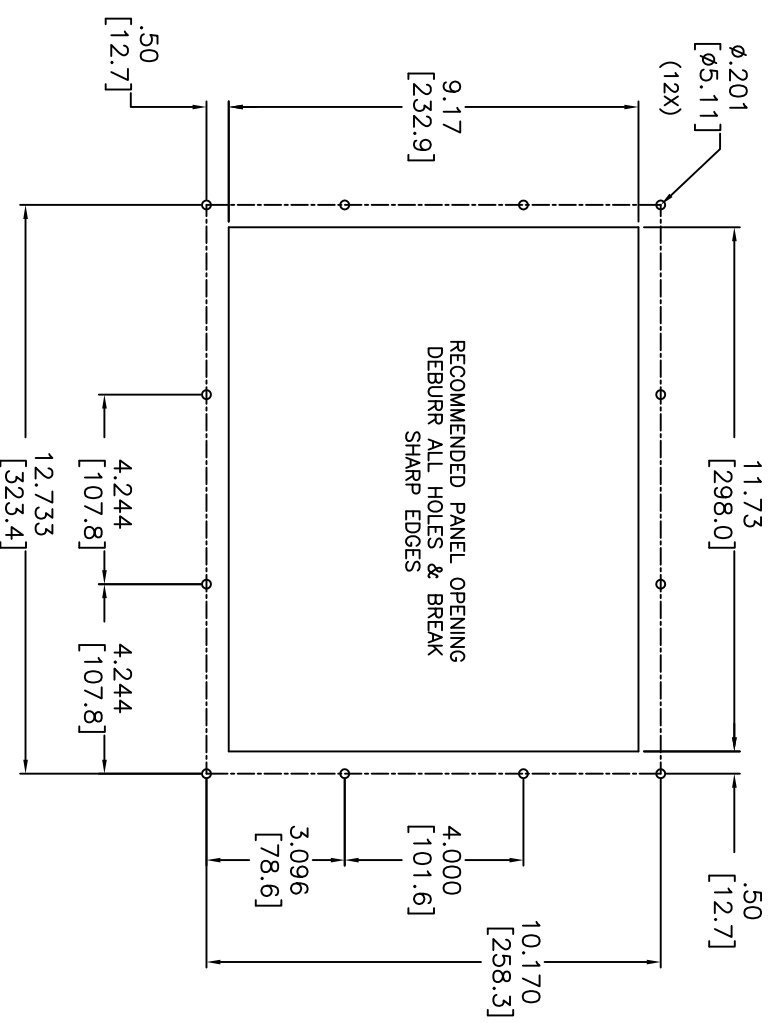
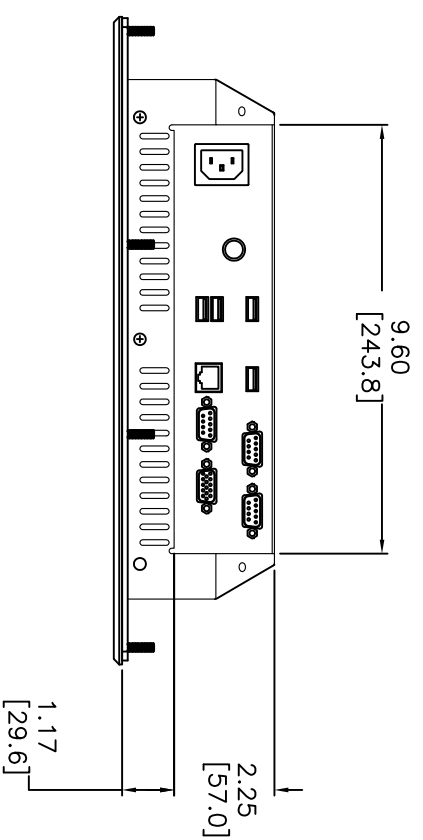
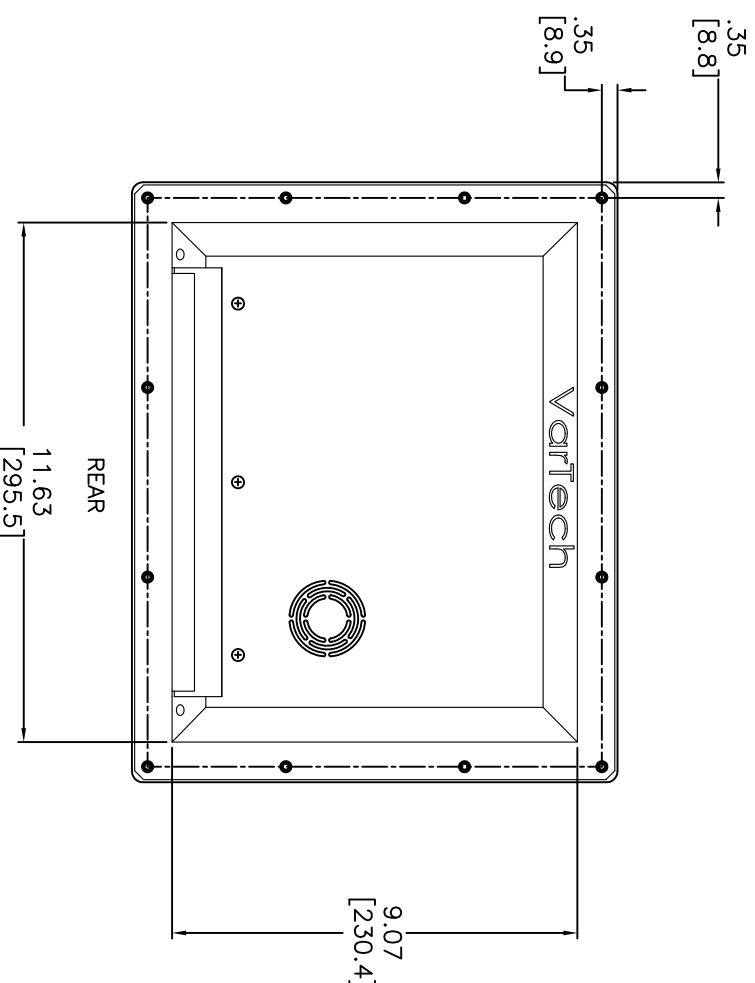
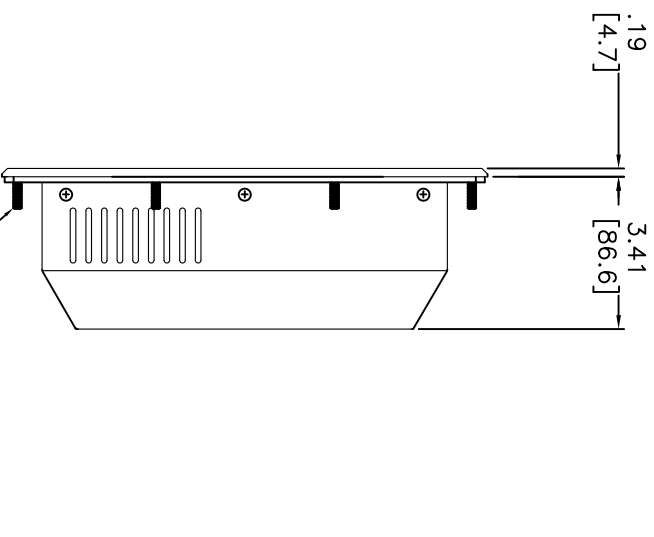
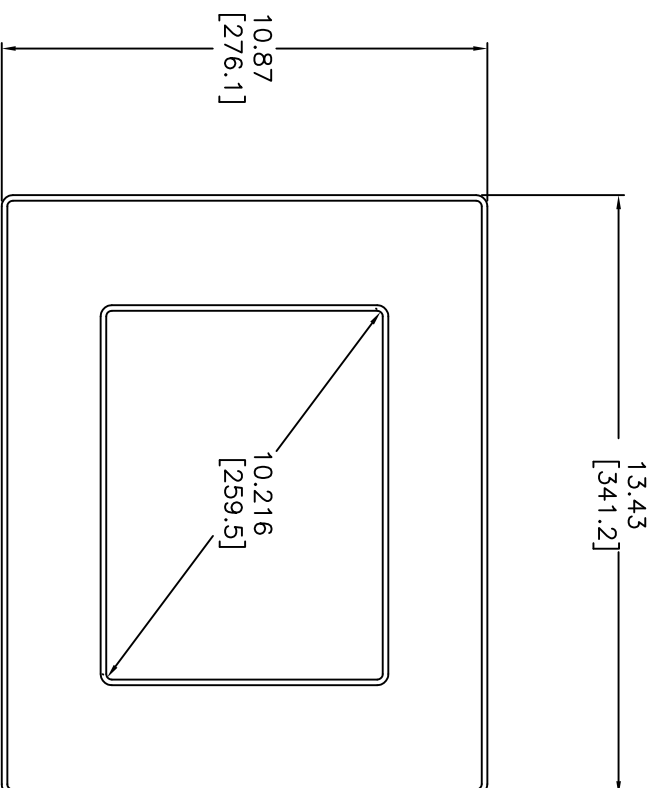


CHANGE HISTORY		APPROVAL DATE
FILE INDEX	DESCRIPTION	INITIAL DATE



ITEM	QTY	MFR. PT.NO.	DESCRIPTION	SYM/NOTE
LIST OF MATERIALS				
UNLESS OTHERWISE SPECIFIED DIMENSIONS ARE IN INCHES AND APPLY BEFORE FINISH				
SURFACE ROUGHNESS .125/				
TOLERANCE ON DECIMALS ANGLES				
FRACTIONS ±.005 ±.005 ±.005 ±.005				
MATERIAL				
VTPC100PSS FINISH				
USED ON				
APPLICATION				
DRAWN DATE			DRAWN DATE	
CHECKED			CHECKED	
DRAFTING			DRAFTING	
ENGINEER			ENGINEER	
MANUF			MANUF	
APPROVED			APPROVED	
QA			QA	
SIZE			SIZE	
D			D	
DWG. NO.			DWG. NO.	
482-0055-00			482-0055-00	
REV			REV	
00			00	
SCALE			SCALE	
1			1	
SHEET 1 OF 1			SHEET 1 OF 1	
FILE NUMBER:			FILE NUMBER:	
482-0032-02-02			482-0032-02-02	



**VARTECH SYSTEMS**  
10.4" VTPC100PSS  
C1-D2 CERTIFIED