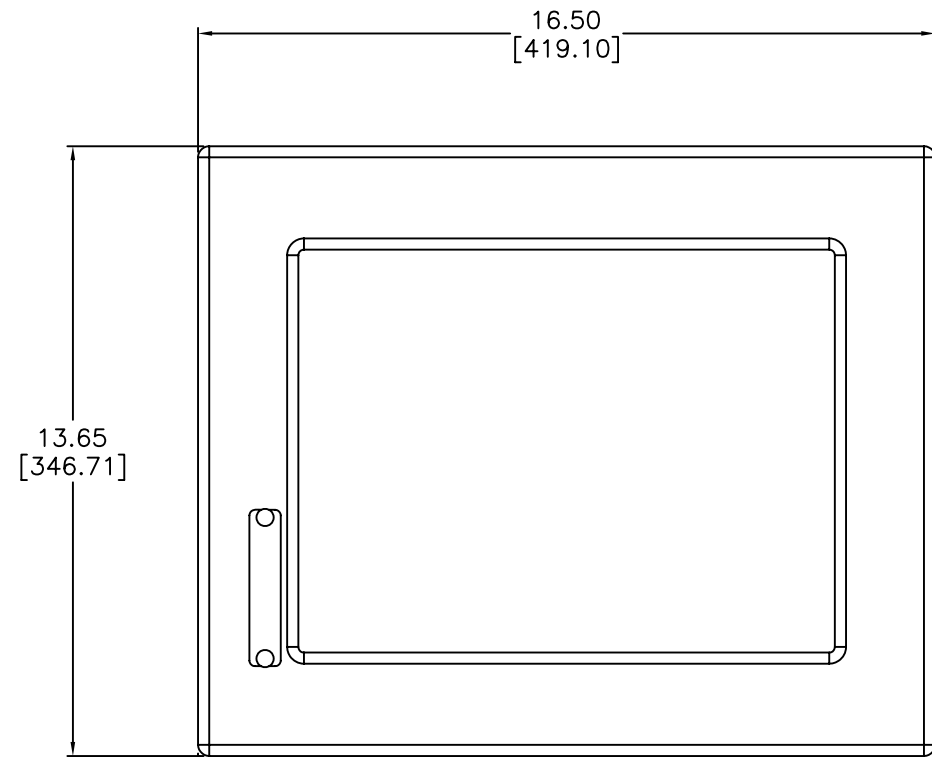
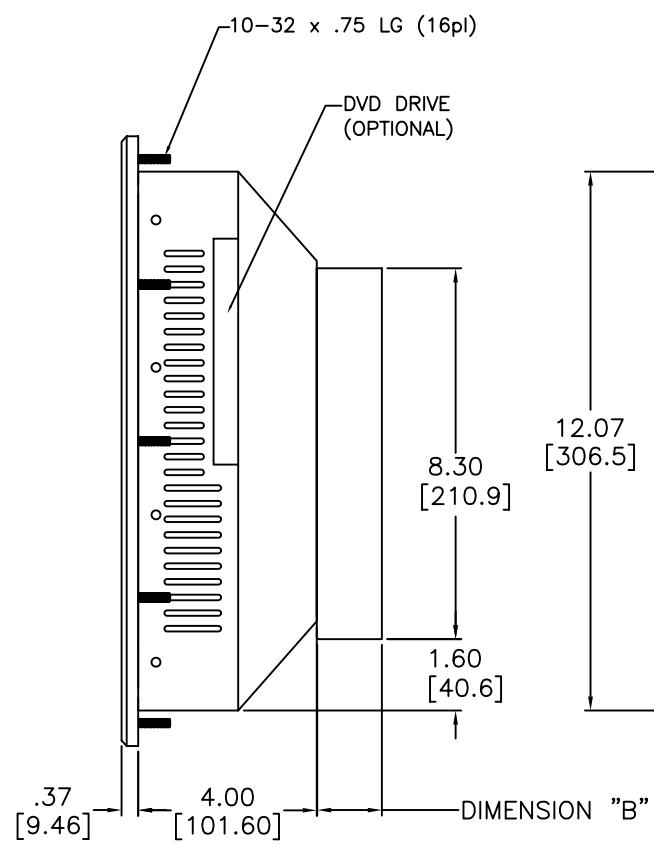


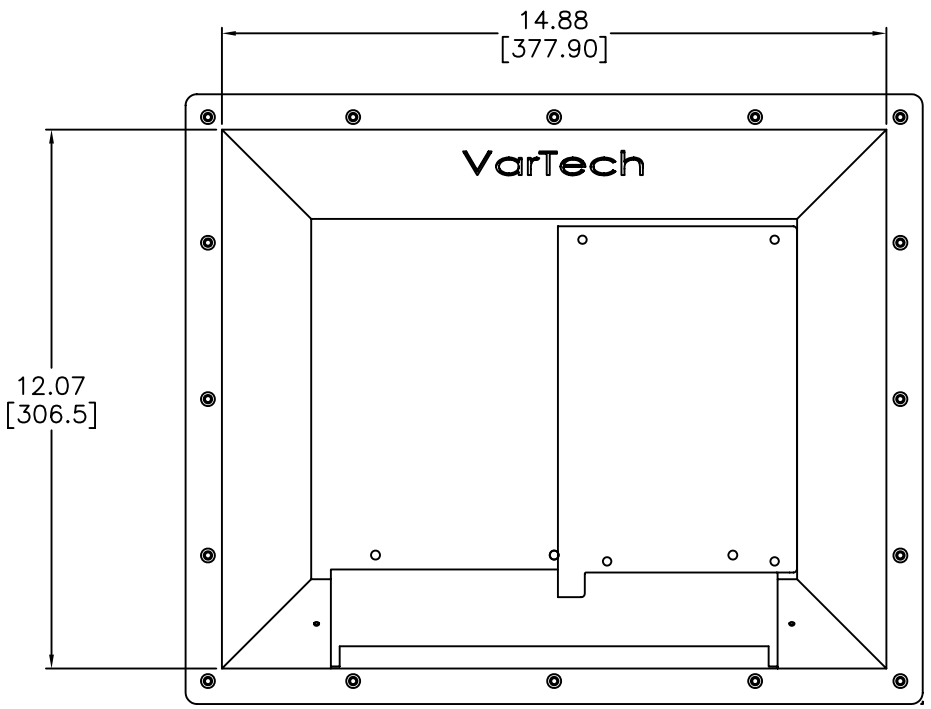
CHANGE HISTORY			
FILE INDEX	DESCRIPTION	APPROVAL INITIAL	APPROVAL DATE
01	REVISED TO SHOW 4" DEPTH & PORT PANEL	MLC	8/27/08
02	ADD TABULATION FOR PCI DIMENSIONS	MLC	1/5/09



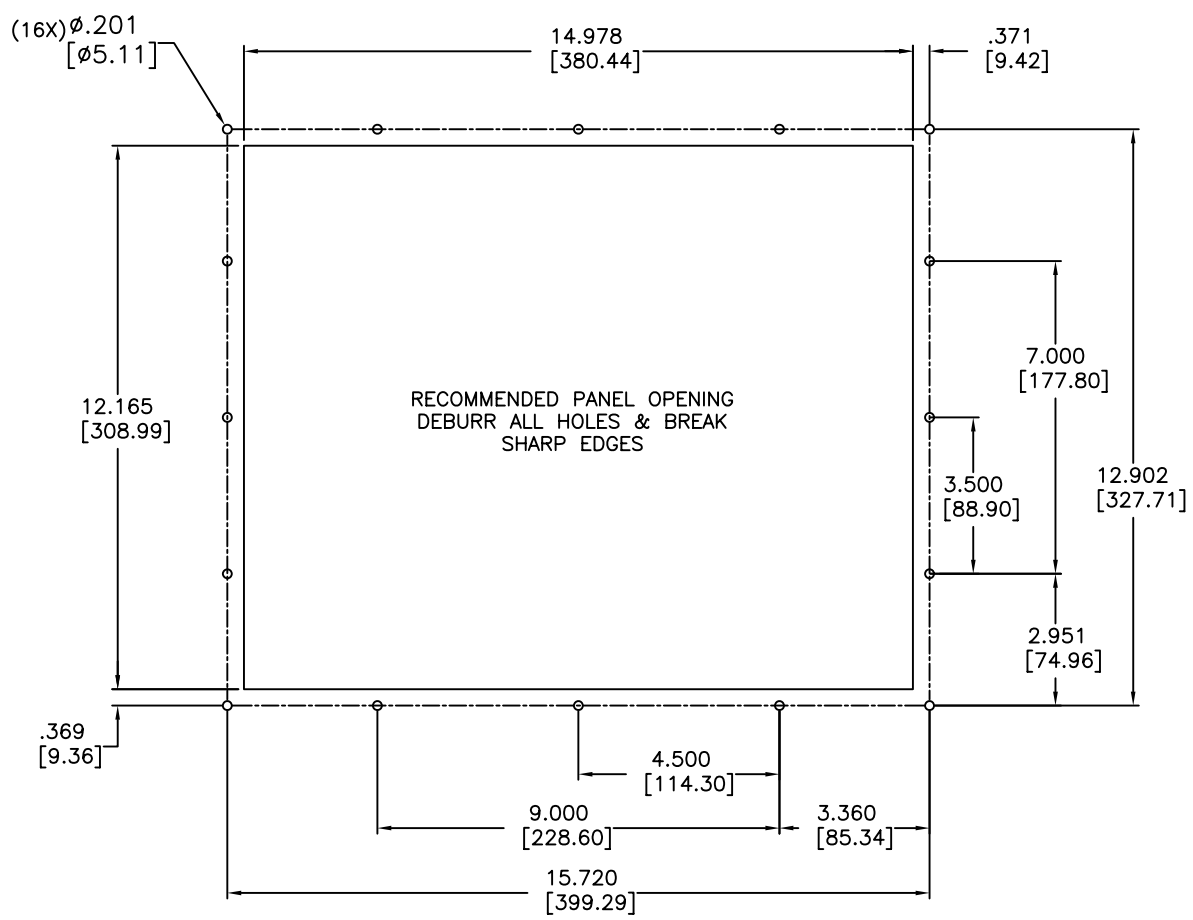
FRONT



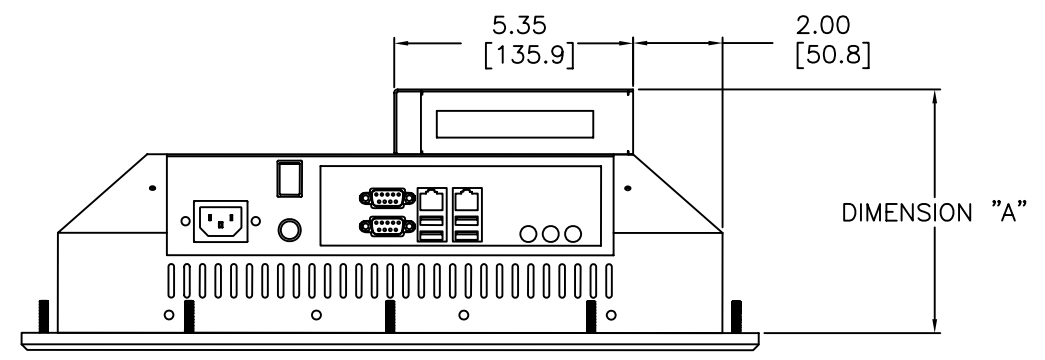
DIMENSION "B"



REAR



RECOMMENDED PANEL OPENING
DEBURR ALL HOLES & BREAK
SHARP EDGES



DIMENSION "A"

ITEM	QTY	MFR. PT.NO.	DESCRIPTION	SYM/NOTE
LIST OF MATERIALS				
UNLESS OTHERWISE SPECIFIED DIMENSIONS ARE IN INCHES AND APPLY BEFORE FINISH SURFACE ROUGHNESS .125/ TOLERANCE ON FRACTIONS DECIMALS ANGLES		DRAWN MLC	DATE 8/26/08	 VARTECH SYSTEMS 15" Panel Mount Computer VTPC150PF-K
± 1/64 ± .XX=.02 ± 1/2		CHECKED		
		DRAFTING		
		ENGINEER		
MATERIAL		MANUF		SIZE D
FINISH		APPROVED		DWG NO. 482-0023-01
VTPC150P USED ON APPLICATION		QA		REV 02
			SCALE	SHEET 1 OF 1