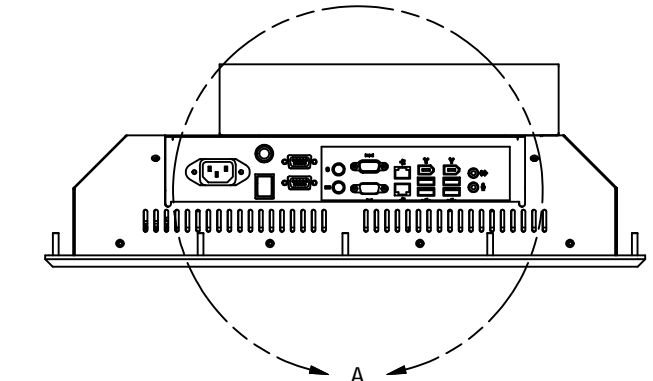


DETAIL A
SCALE 0.63 : 1



DRAWN		mcumbo	7/20/2012	VARTECH SYSTEMS	
CHECKED					
QA				OUTLINE DRAWING, 19" PANEL PC w/ PCI OPTION	
MFG				REV	
APPROVED				0	
USED ON		MATERIAL:		SIZE	TOLERANCES:
APPLICATION				D	.XX = .01 .XXX = .005
				DWG NO	REV
				482-0026-03	0
				FINISH:	SHEET 1 OF 1