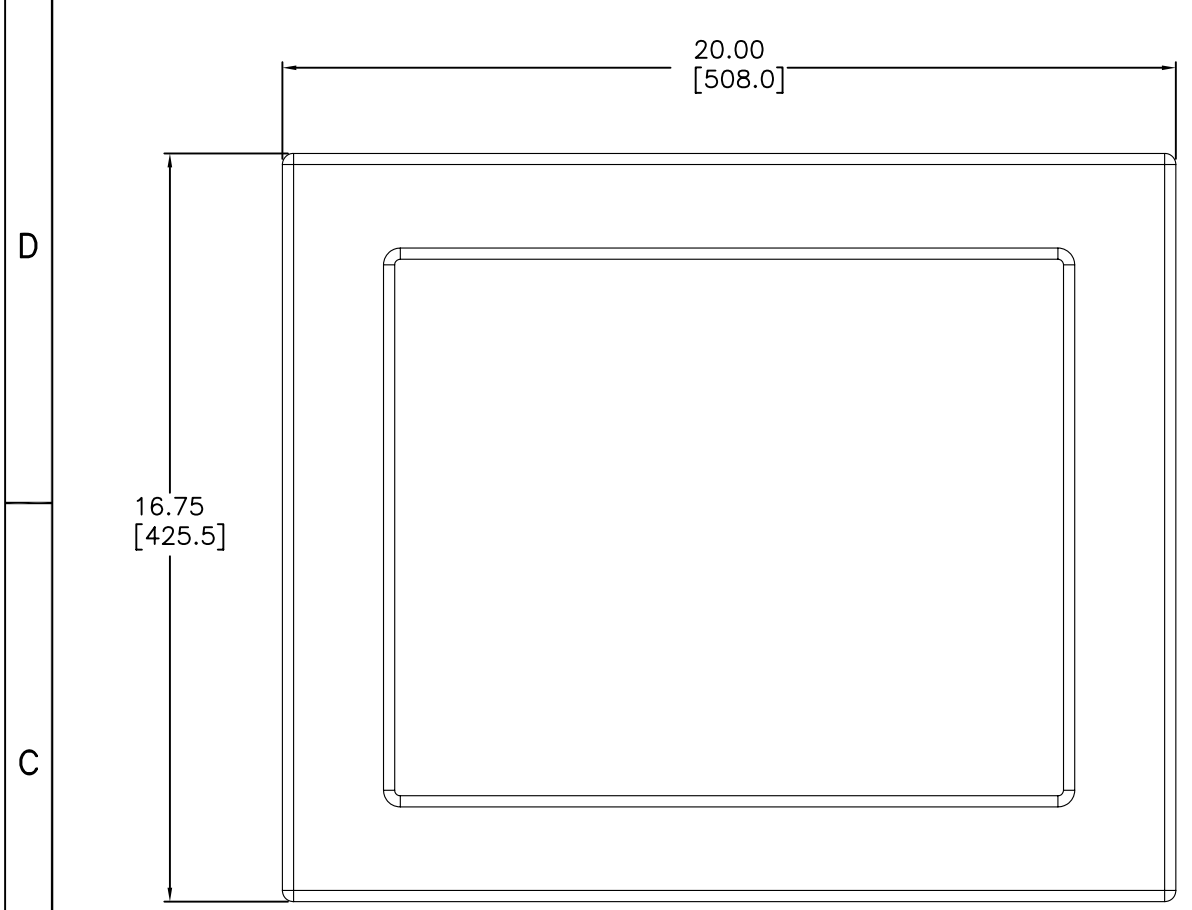
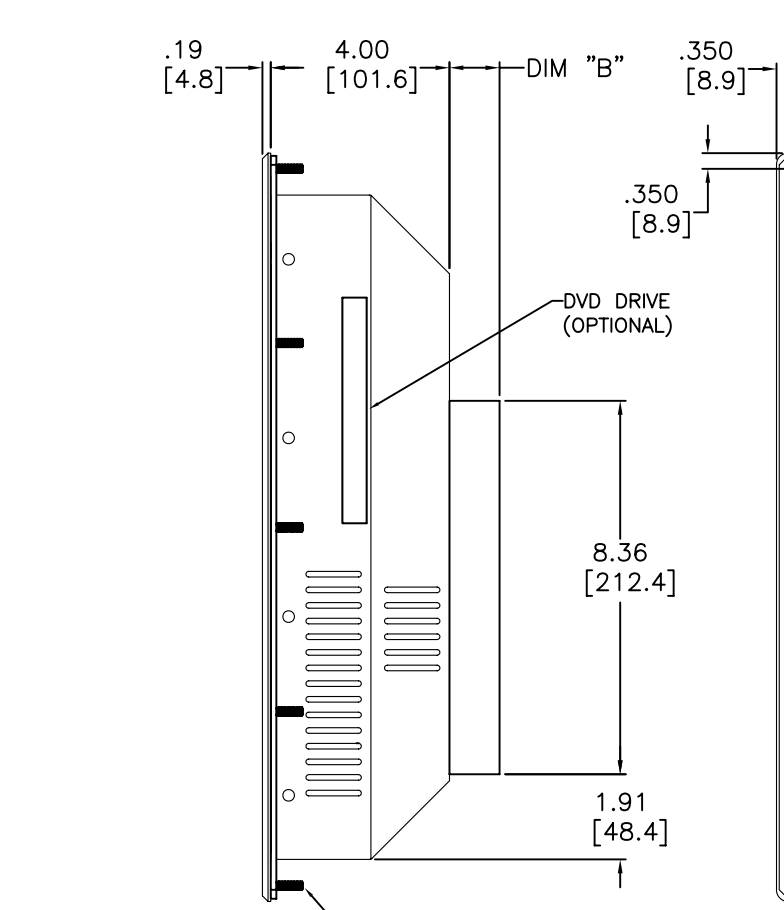


CHANGE HISTORY		
FILE INDEX	DESCRIPTION	APPROVAL INITIAL DATE

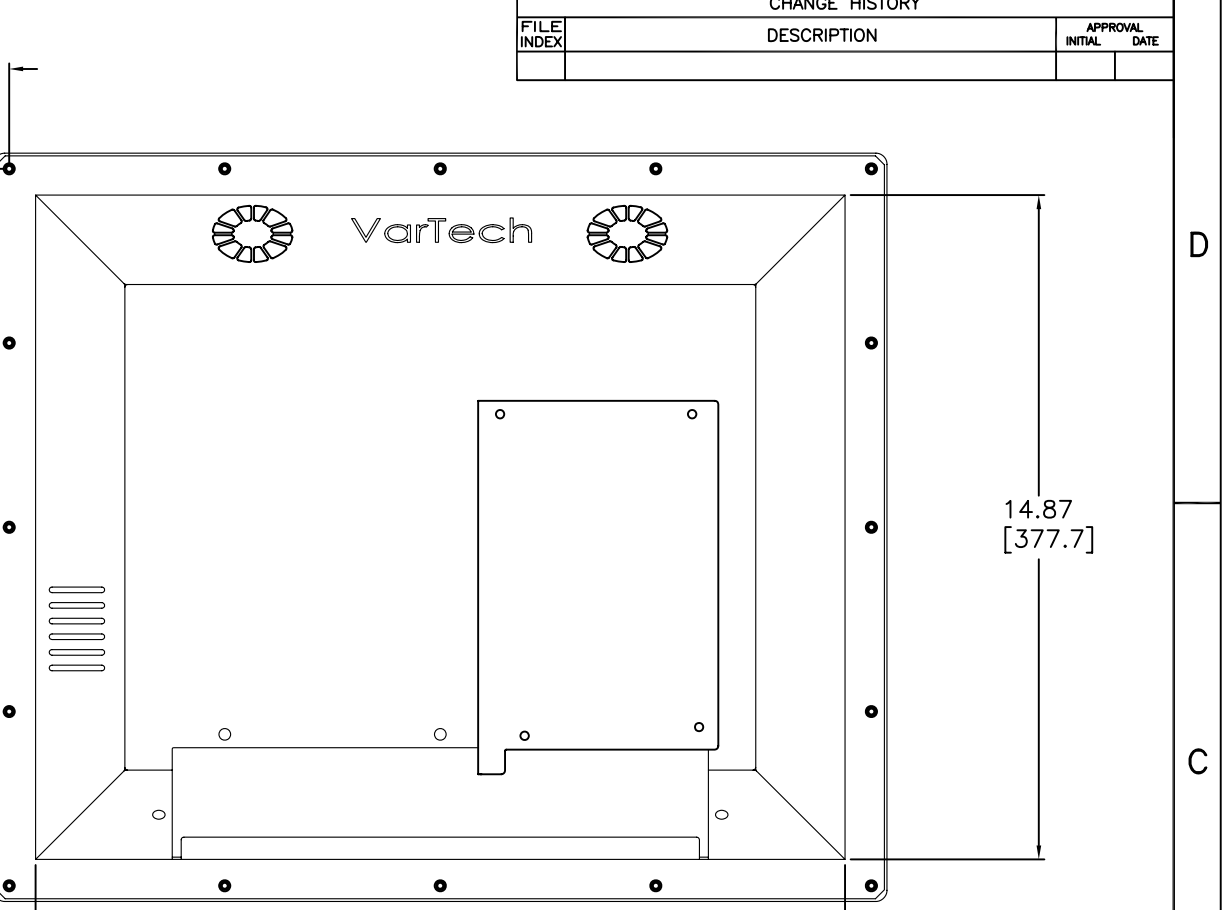


FRONT

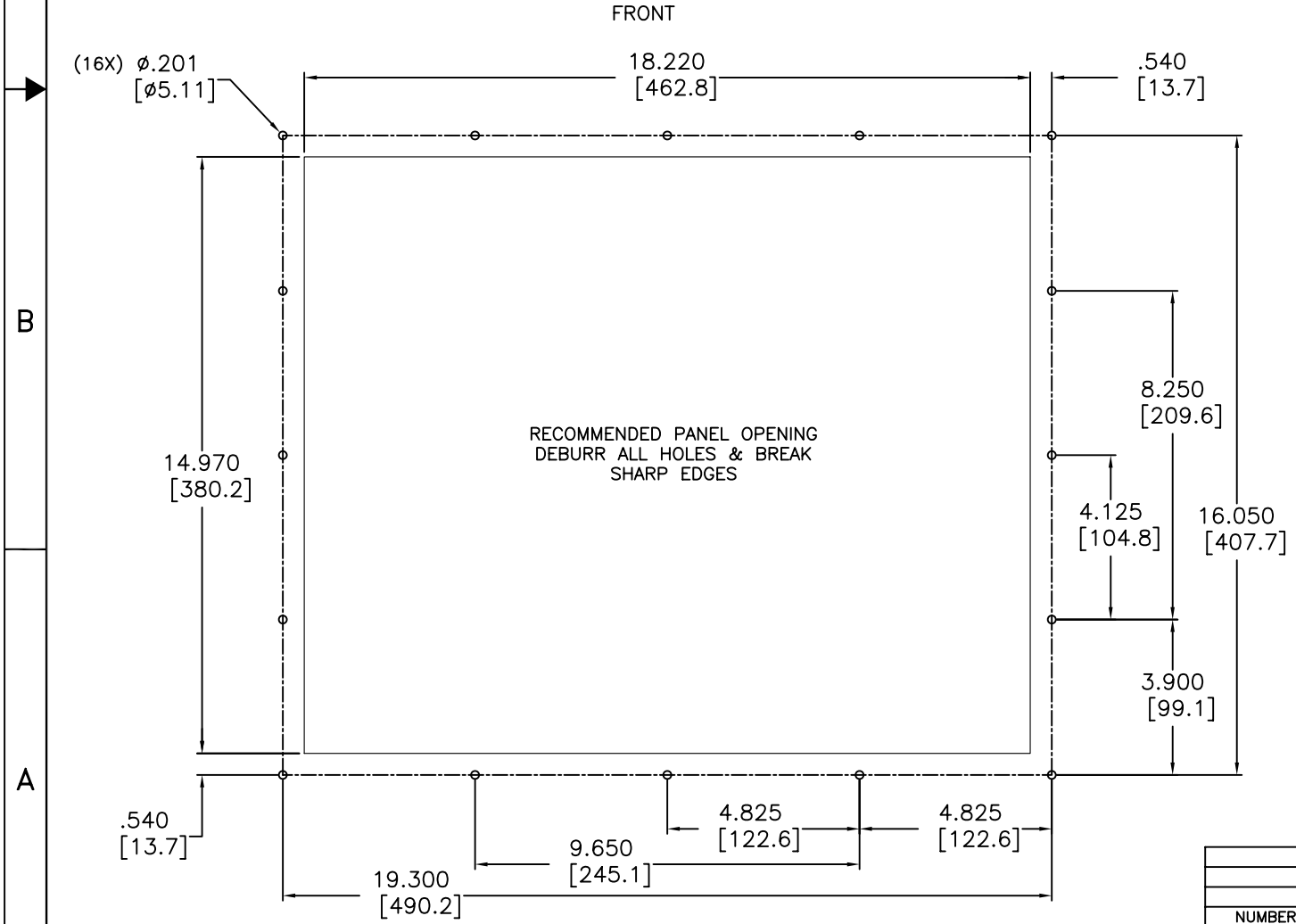


DVD DRIVE (OPTIONAL)

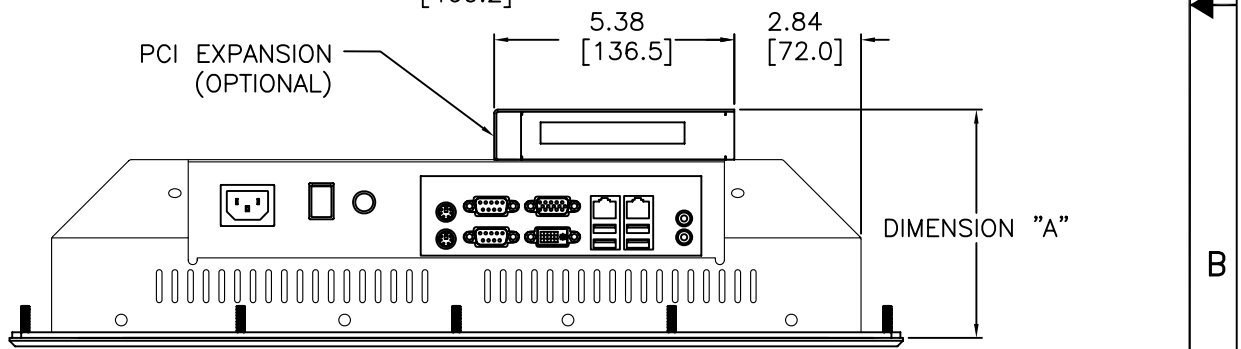
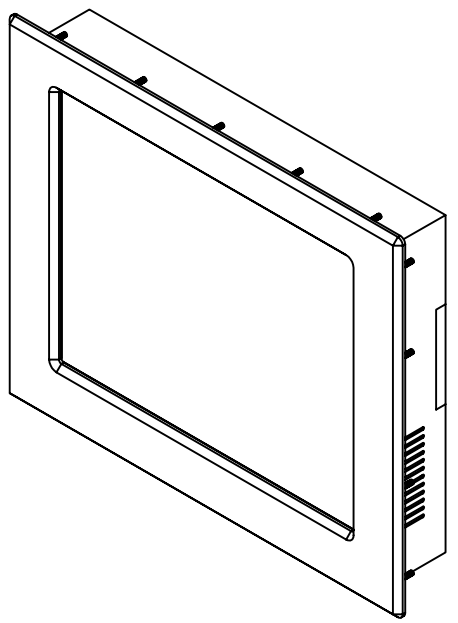
10-32 x .75 LG (16pl)



REAR



RECOMMENDED PANEL OPENING
DEBURR ALL HOLES & BREAK
SHARP EDGES



PCI EXPANSION (OPTIONAL)

DIMENSION "A"

NUMBER OF PCI PORTS	DIMENSION "A"	DIMENSION "B"
3 PORTS	7.40" (187.8mm)	3.40" (86.2mm)
2 PORTS	6.61" (167.8mm)	2.61" (66.3mm)
1 PORT	5.12" (130.0mm)	1.12" (28.5mm)

ITEM	QTY	MFR. PT.NO.	DESCRIPTION	SYM/NOTE
LIST OF MATERIALS				
UNLESS OTHERWISE SPECIFIED DIMENSIONS ARE IN INCHES AND APPLY BEFORE FINISH SURFACE ROUGHNESS .125/ TOLERANCE ON		DRAWN NM 04/23/2008		 VARTECH SYSTEMS
FRACTIONS DECIMALS ANGLES		CHECKED		
± 1/64 ± .XX=.02 ± 1/2		DRAFTING		
± .XXX=.005		ENGINEER		
MATERIAL		MANUF		19" Panel Mount Computer VTPC190PSS-K
VTPC190P		APPROVED		
USED ON		QA		
APPLICATION		SCALE		DWG NO. 482-0026-02 REV 00 SHEET 1 OF 1