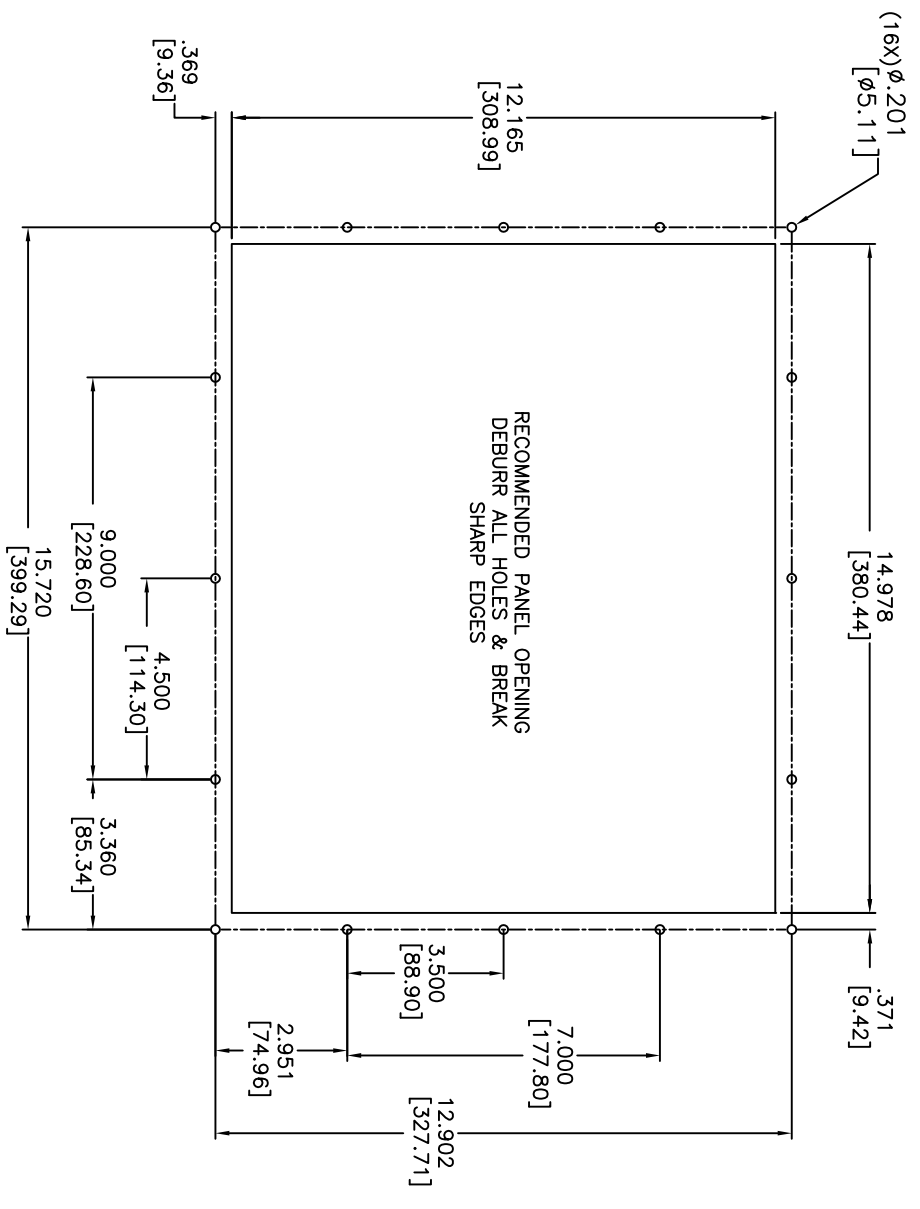
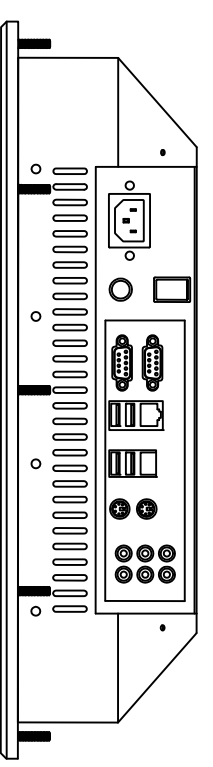
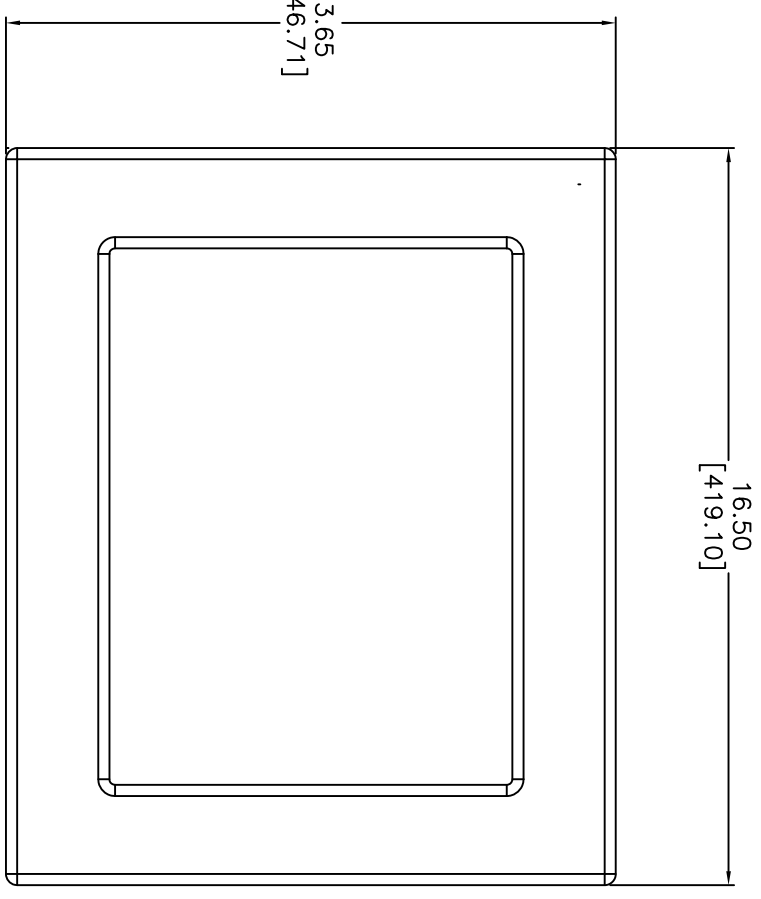
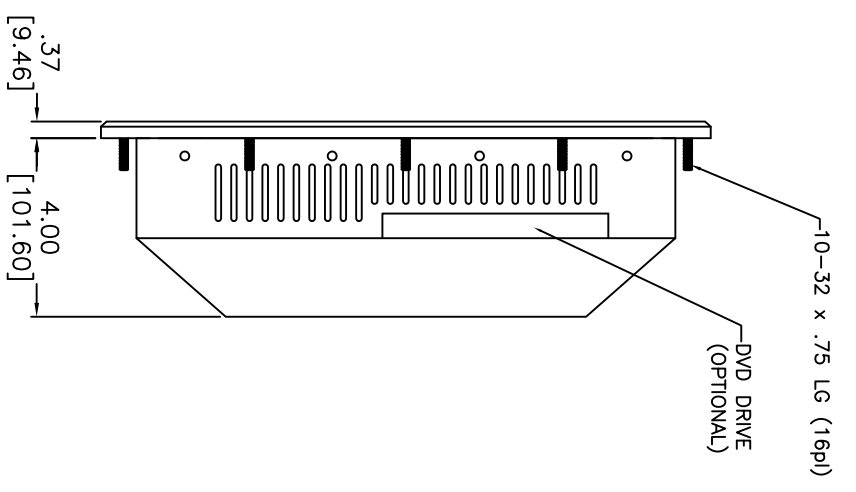
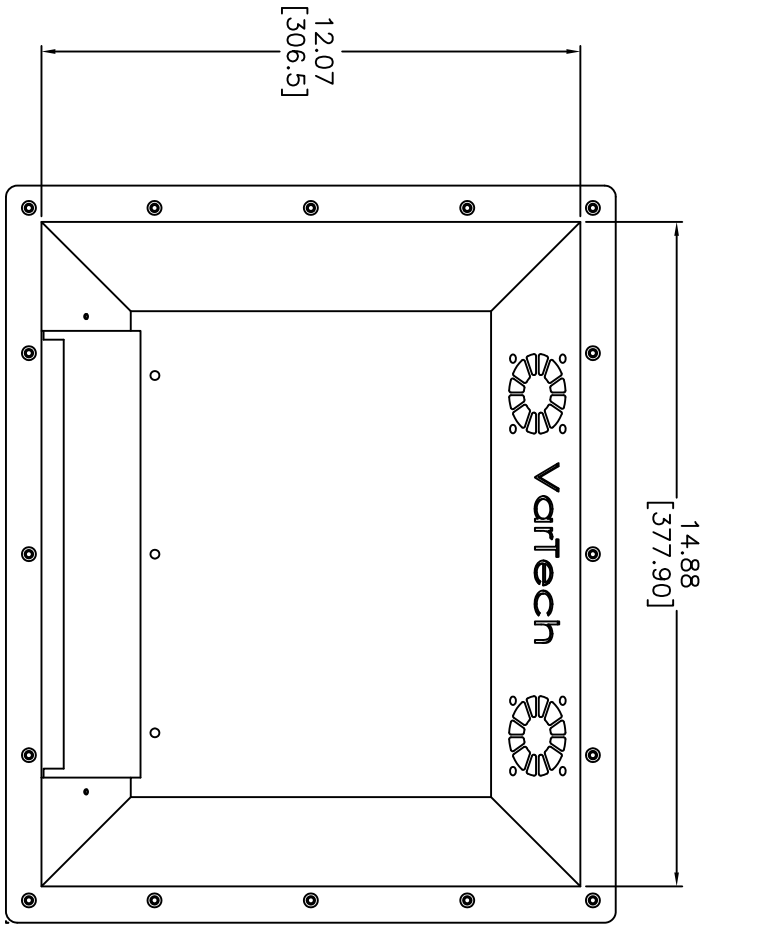


CHANGE HISTORY		APPROVAL DATE
FILE INDEX	DESCRIPTION	INITIAL



ITEM	QTY	MFR. PT.NO.	DESCRIPTION	SYM/NOTE
LIST OF MATERIALS				
VTPC500PSS				
USED ON				
APPLICATION				

UNLESS OTHERWISE SPECIFIED DIMENSIONS ARE IN INCHES AND APPLY BEFORE FINISH SURFACE ROUGHNESS .125/ FRACTIONS 1 DECIMALS ANGLES ± 1/2	DRAWN SAH	DATE 10/12/09	<p>VARTECH SYSTEMS 15.0" VTPC500PSS C1-D2 CERTIFIED</p>
TOLERANCE ON ± .005	CHECKED		
± .01	DRAFTING ENGINEER		
± .02	MANUF		
MATERIAL	APPROVED		
FINISH	QA		

SIZE D	DWG. NO. 482-0056-00	REV 00
SCALE		

FILE NUMBER: 482-0015-0X VTPC150P-FSS	SHEET 1 OF 1
---------------------------------------	--------------